



# Valton®

## Bath and shower faucet trim set

### TS24820-4G

#### Features

- A single handle controls both on/off activation and temperature setting
- Antiscald protection
- Single-function 1.75 gpm (6.6 lpm) showerhead with Katalyst® air-induction technology
- MasterClean™ sprayface features an easy-to-clean surface that withstands mineral buildup
- 5-1/16" (129 mm) diverter bath spout with slip-fit connection
- Includes faceplate with ADA-compliant metal level handle
- Coordinates with other products in the Valton collection
- Pressure-balancing diaphragm technology maintains outlet temperature within +/-3°F during water pressure fluctuations



#### Material

- Premium metal construction for durability and reliability
- KOHLER® finishes resist corrosion and tarnishing

#### Installation

- Wall-mount
- Trim only; requires valve to complete installation (sold separately)

#### Required Products/Accessories

K-8304 Series Rite-Temp® Valve & Cartridge Kits

#### Recommended Products/Accessories

K-23723 Faucet cleaner

#### Optional Products/Accessories

K-10350 Deep rough-in kit

K-10351 Test cap for K-8300 Series valve bodies



#### Codes/Standards

ASME A112.18.1/CSA B125.1  
DOE - Energy Policy Act 1992  
EPA WaterSense®  
California Energy Commission (CEC)

#### STERLING® Faucet Lifetime Limited Warranty

See website for detailed warranty information.

#### Available Colors/Finishes

*Color tiles intended for reference only.*

Color	Code	Description
-------	------	-------------

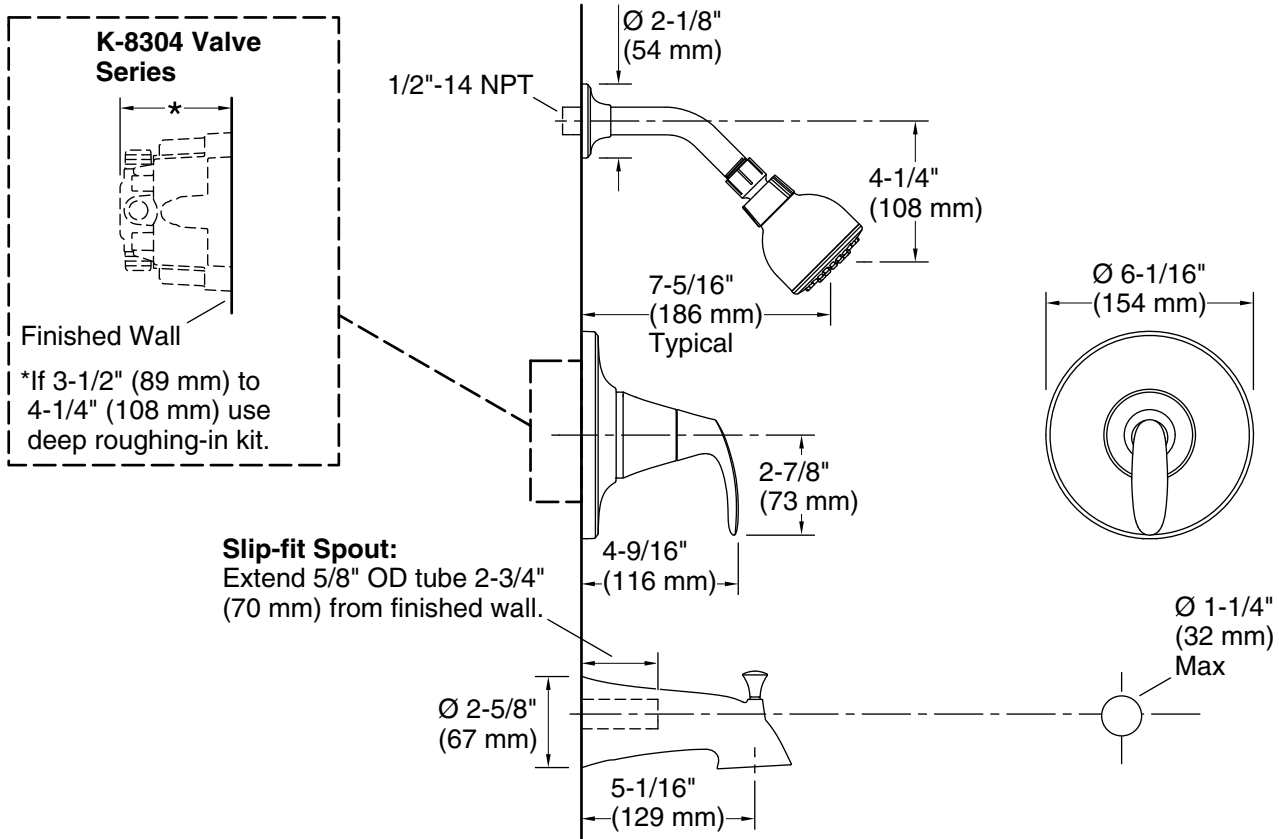
	CP	Polished Chrome
---	----	-----------------

1-800-STERLING (1-800-783-7546)

Kohler Co. reserves the right to make revisions without notice to product specifications.

For the most current Specification Sheet, go to [www.sterlingplumbing.com](http://www.sterlingplumbing.com).

8-14-2023 03:12 - US/CA



**Technical Information**

All product dimensions are nominal.

Drain included: No

**Spout:**

Spout reach: 5-1/16" (128 mm)

**Showerhead/Body Spray:**

Rated maximum flow: 1.75 gal/min (6.6 l/min)

Pressure: 45 psi (3.1 bar)

**Notes**

Install this product according to the installation instructions.