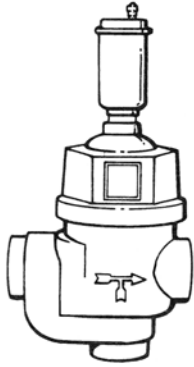


JOB:	REPRESENTATIVE:	
UNIT TAG:	ORDER NO.:	DATE:
ENGINEER:	SUBMITTED BY:	DATE:
CONTRACTOR:	APPROVED BY:	DATE:



Model EAS

Enhanced Air Separator

DESCRIPTION

The Enhanced Air Separator is an efficient device designed for air separation in residential or light commercial hydronic heating or cooling systems. It differs from standard air separators (air scoops) because it has an internal diffuser and coalescing medium. The diffuser forces the system fluid to cover the entire inlet portion of the coalescing medium. Air bubbles or micro air bubbles will separate from the system fluid by coalescing to the medium with stainless steel wire-like hairs. The separated air rises to the top of the separator where it is vented to the atmosphere through an automatic air vent. The Enhanced Air Separator comes ready for installation as a straight or angle pattern pipe design. Sizes are available for 1", 1-1/4", 1-1/2", or 2" NPT. Each separator is supplied with a replaceable 3/4" large capacity air vent.

CONSTRUCTION

Enhanced Air Separator: Cast iron body and cap, stainless steel internals

3/4" Large Capacity Air Vent: Brass body, nonferrous internals

MAXIMUM OPERATING LIMITATIONS

Temperature: 250°F (121°C)
 Working Pressure: 150 psi (10.3 bar)

Patent No. 5,676,740

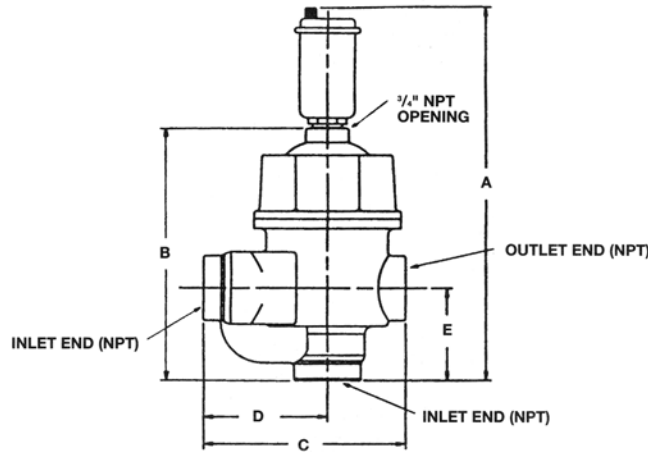
SCHEDULE

MODEL NUMBER	PART NUMBER	SIZE INCHES	MAXIMUM FLOW GPM	TAGGING INFORMATION	QUANTITY
EAS-1	112105	1	35		
EAS-1-1/4	112106	1-1/4	35		
EAS-1-1/2	112107	1-1/2	45		
EAS-2	112108	2	70		

Enhanced Air Separator Model EAS

DIMENSIONS AND WEIGHTS

A-330D



MODEL NUMBER	SIZE INCHES NPT	DIMENSIONS-INCHES (MM)					APPROX. SHPG. WT. LBS. (Kg)
		A	B	C	D	E	
EAS-1	1	12-3/16 (310)	6-7/8 (175)	6-7/16 (164)	3-15/16 (100)	3 (76)	8.8 (4)
EAS-1-1/4	1-1/4	12-3/16 (310)	6-7/8 (175)	6-7/16 (164)	3-15/16 (100)	3 (76)	8.4 (3.8)
EAS-1-1/2	1-1/2	15-3/4 (400)	11-3/8 (289)	8-5/8 (289)	4-7/8 (124)	4-1/4 (108)	15.5 (7)
EAS-2	2	17-1/2 (445)	11-3/8 (289)	8-5/8 (289)	4-7/8 (124)	4-1/4 (108)	15.25 (6.9)

EAS-1 OR EAS-1-1/4 MAX. WIDTH 4-1/16" (103 mm)

EAS-1-1/2 OR EAS-2 MAX. WIDTH 5-3/4" (146 mm)

TYPICAL SPECIFICATIONS

Furnish and install as shown on plans a straight or angle air separator designed to effectively separate free air in hydronic heating/cooling systems. The air separator shall be heavy duty cast iron designed to function satisfactorily at working pressures up to 150 psi (10.3 bar) and liquid temperatures up to 250°F (121°C). The air separator shall have an internal diffuser and a coalescing medium design that will trap and collect air bubbles to be released at the top of the separator.

NOTE:

Choose either A or B to complete this specification.

A. For Use with Conventional Compression Tanks

The Enhanced Air Separator shall eliminate free air in the system by directing the air to a conventional compression tank. The Enhanced Air Separator shall allow expansion of the system fluid to be directed to the compression tank.

B. For Use with Precharged Bladder & Diaphragm Expansion Tanks

The Enhanced Air Separator shall also assist in eliminating free air from the system by directing the air to a large capacity air vent while deaerated water is circulated to the system. The Enhanced Air Separator shall allow expansion of the system fluid to be directed to a precharged BLADDER or DIAPHRAGM (CHOOSE ONE) expansion tank.

The Enhanced Air Separator shall be Xylem Bell & Gossett Model No. EAS- _____ Enhanced Air Separator.

Xylem Inc.
8200 N. Austin Avenue
Morton Grove, IL 60053
Phone: (847)966-3700
Fax: (847)965-8379
www.xylem.com/brands/bellgossett

xylem
Let's Solve Water

Bell & Gossett is a trademark of Xylem Inc. or one of its subsidiaries.
© 2012 Xylem Inc.