

## Features

- 36-inch minimum base cabinet width.
- Double-equal bowls.
- 9" (229 mm) depth provides generous workspace.
- Three faucet holes with one accessory hole to the right.
- SilentShield® sound-absorption technology offers quieter performance.
- Includes installation hardware.

## Material

- Premium 18-gauge stainless steel.

## Installation

- Top-mount.

## Recommended Products/Accessories

- K-8801 Sink Strainer
- K-8799 Sink Strainer
- K-23726 Drain treatment
- K-23729 Stainless steel cleaner

## Optional Products/Accessories

- K-11352 Disposal Flange with Stopper

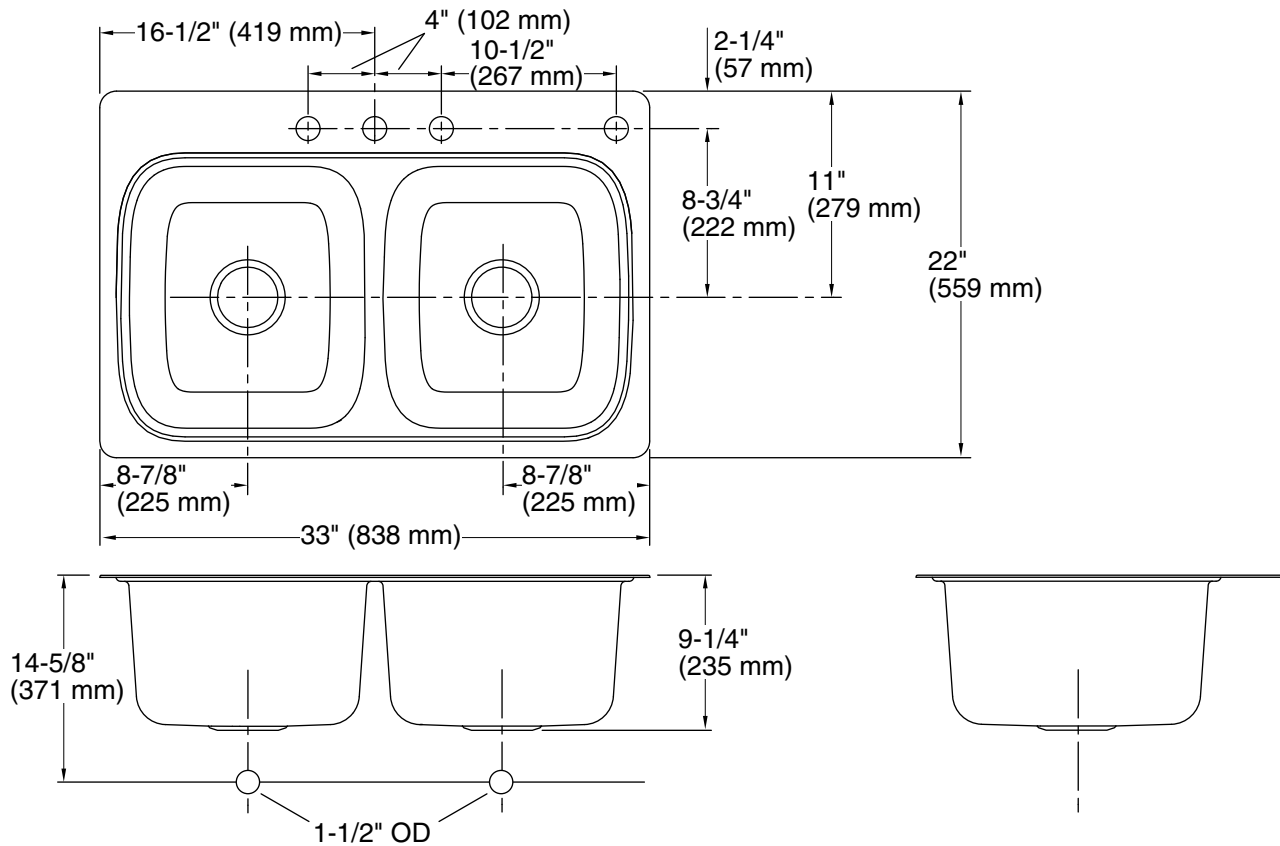


## Codes/Standards

ASME A112.19.3/CSA B45.4  
All applicable US Federal and State material regulations

## Lifetime Limited Warranty for KOHLER® Stainless Steel Sinks

See website for detailed warranty information.



## Technical Information

All product dimensions are nominal.

Bowl configuration: Double equal

Installation: Top-mount

Min. base cabinet width: 36" (914 mm)

Bowl area (Left): Length: 14-3/16" (360 mm)  
 Width: 15-11/16" (398 mm)  
 Bowl depth: 9" (229 mm)

Bowl area (Right): Length: 14-3/16" (360 mm)  
 Width: 15-11/16" (398 mm)  
 Bowl depth: 9" (229 mm)

Number of deck holes: 4

Faucet hole spacing: 4" (102 mm)

Faucet hole(s): 1-7/16" (37 mm)

Drain hole: 3-5/8" (92 mm)

## Notes

Install this product according to the installation instructions.