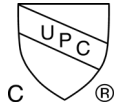


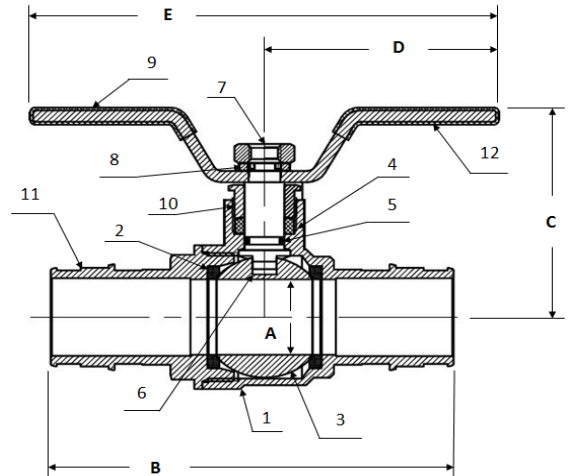
**Full Flow Forged DZR Brass Ball Valve
w/ Stainless Steel Wing Style "T" Handle
& Adjustable Packing Gland**

Certifications

Certified to NSF/ANSI 61 & 372 NSF/ANSI 14



NO.	DESCRIPTION	MATERIAL
1	Body	Lead Free Brass
2	Seat	PTFE
3	Ball	Stainless Steel
4	Packing	PTFE
5	O-Ring	NBR
6	Stem	Brass
7	Handle Nut	Stainless Steel
8	Lock Washer	Stainless Steel
9	Handle	Stainless Steel
10	Packing Nut	Brass
11	End Cap	Lead Free Brass
12	Handle Jacket	Vinyl



Designed for residential, commercial or industrial use with water, oil or gas. This approved Webstone valve is actuated by a blowout proof stem and features an adjustable packing gland. PEX end dimensions comply with the referenced ASTM specification.

ITEM#	Connection Type	SIZE (in)	Pressure Rating	Max Temp	A	B	C	D	E
H-11702WSSW	ASTM F1807 PEX	1/2	400 PSI CWP	250 F	0.35	2.45	1.75	2.00	4.00
H-11703WSSW	ASTM F1807 PEX	3/4	400 PSI CWP	250 F	0.53	2.56	1.88	2.00	4.00
H-11704WSSW	ASTM F1807 PEX	1	400 PSI CWP	250 F	0.71	3.18	2.25	2.40	4.75
H-14702WSSW	ASTM F1807 PEX x FIP	1/2	400 PSI CWP	250 F	0.35	2.18	1.75	2.00	4.00
H-14703WSSW	ASTM F1807 PEX x FIP	3/4	400 PSI CWP	250 F	0.53	2.35	1.88	2.00	4.00
H-14704WSSW	ASTM F1807 PEX x FIP	1	400 PSI CWP	250 F	0.71	2.85	2.25	2.40	4.75
H-31702WSSW	ASTM F1960 PEX	1/2	400 PSI CWP	250 F	0.39	2.63	1.75	2.00	4.00
H-31703WSSW	ASTM F1960 PEX	3/4	400 PSI CWP	250 F	0.61	3.25	1.88	2.00	4.00
H-31704WSSW	ASTM F1960 PEX	1	400 PSI CWP	250 F	0.81	4.00	2.25	2.40	4.75
H-31705WSSW	ASTM F1960 PEX	1 1/4	400 PSI CWP	250 F	0.96	4.64	2.25	2.40	4.75
H-31706WSSW	ASTM F1960 PEX	1 1/2	400 PSI CWP	250 F	1.10	5.51	2.50	3.12	6.25
H-31707WSSW	ASTM F1960 PEX	2	400 PSI CWP	250 F	1.58	6.91	3.25	3.12	6.25
H-34702WSSW	ASTM F1960 PEX x FIP	1/2	400 PSI CWP	250 F	0.39	2.25	1.75	2.00	4.00
H-34703WSSW	ASTM F1960 PEX x FIP	3/4	400 PSI CWP	250 F	0.61	2.63	1.88	2.00	4.00
H-34704WSSW	ASTM F1960 PEX x FIP	1	400 PSI CWP	250 F	0.81	3.38	2.25	2.40	4.75



WARNING: Cancer and Reproductive Harm. www.P65Warnings.ca.gov