



SEWAGE REMOVAL SYSTEM

TECHNICAL INFORMATION

QWIK JON® ULTIMA FEATURES:

- Non-corrosive engineered thermoplastic mini-grinder pump
- Dual cutting action provides over 70,000 cuts per minute, greatly reducing the potential for clogging and increasing pump reliability
- Pump 100% factory tested after assembly
- 1/2 HP motor, 115 V, 60 Hz, 3450 RPM
- Automatic reset thermal overload protected
- Hardened stainless steel cutter and disc
- Carbon/Ceramic mechanical shaft seal
- Upper and lower ball bearing running in a bath of oil
- 1" discharge (can be reduced to 3/4" to replace existing systems)
- All stainless steel hardware
- ABS tank with 2" MPT or 1-1/2" slip side inlets
- Preassembled with preset piggyback vertical float switch
- 2 models available, complete with toilet (Model 202) or tank only adaptable to standard rear-outlet toilets (Model 203)

Model 203 not compatible with Zoeller rear outlet toilet.
 These pumps are not designed for use in any other application.

QWIK JON® ULTIMA SYSTEMS INCLUDE:

MODEL 202 includes the tank, mini-grinder pump and a comfort height, ADA compliant toilet with elongated bowl.

MODEL 203 includes the tank and mini-grinder pump. A standard rear outlet toilet with a discharge height of 4" from floor to centerline must be purchased separately.

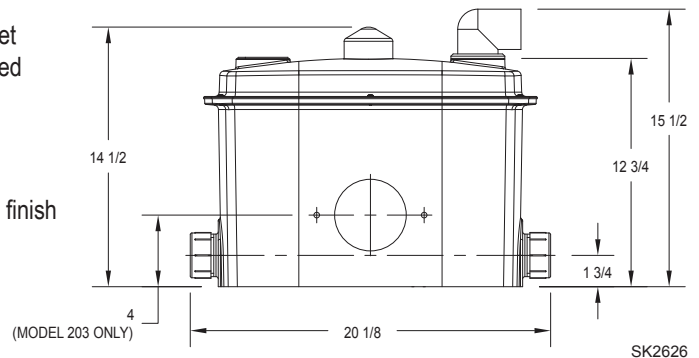
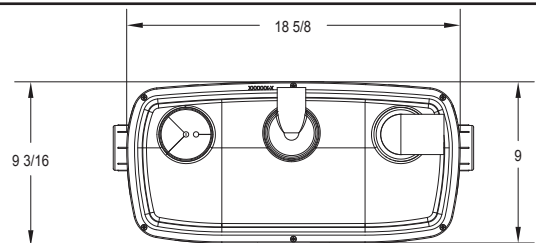
Pump

- cCSAus Listed
- Automatic level control switch
- Thermal overload protected motor
- Stainless steel screws, bolts & handle
- Non-clogging vortex impeller
- UL Listed 3-wire neoprene 9 ft. cord & plug
- Maximum temperature 130°F (54°C), 7.0 FLA

Tank

- MODEL 202 or MODEL 203
- Durable ABS tank w/white finish
- Lightweight
- Built-in check valve

TOTAL DYNAMIC HEAD/FLOW PER MINUTE QWIK JON® ULTIMA			
FEET	METERS	GALLONS	LITERS
5	1.5	45	170
10	3.0	40	151
15	4.6	35	132
20	6.1	27	102
25	7.6	16	61
Shut-off Head - 30 ft. (9.1 meters)			



ITEMS INCLUDED:

- Comfort height, ADA compliant toilet with elongated bowl (Model 202 only)
- Tank, lid & gasket
- 1/2 HP mini-grinder pump
- Back-flow device (check local codes)
- 1" Discharge & 1-1/2" Vent
- Extension kit (Model 203 only)
- Hardware pack
- Installation instructions
- Shipping weight:
 Model 202 - 121 lbs. / Model 203 - 37 lbs.


ITEMS NEEDED BY INSTALLER:

- Supply fittings & waste pipe
- Toilet (Model 203 only)
- Toilet seat (Models 202 & 203)
- Electrical source with ground fault interrupter (GFCI) protected receptacle
- Water supply • Tools • Hardware to mount toilet to floor



Patent No. 7,203,976
 Other Patents Pending

1.6 GPF

 Model 202 meets the Americans with Disabilities Act guidelines and ANSI A117.1 requirements for accessible and usable facilities - check local codes.

CAUTION

All installation of controls, protection devices and wiring should be done by a qualified licensed electrician. All electrical and safety codes should be followed including the most recent National Electrical Code (NEC) and the Occupational Safety and Health Act (OSHA). Must be installed per local codes.