



**Features**

- Deep rectangular bath with modern aesthetic
- Durable high-gloss finish provides a smooth, shiny surface that is easy to clean
- Integral lumbar support
- Integral flat apron with minimalist design
- Integral flange provides superior water containment and simplifies alcove installation
- Textured bottom surface

**Material**

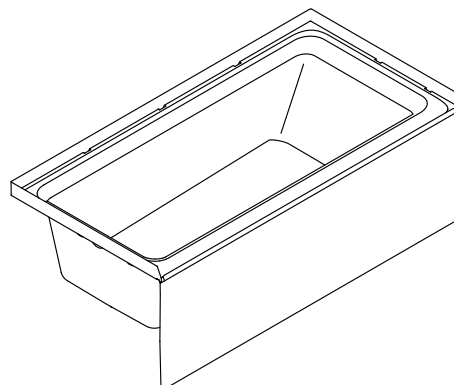
- Made from solid Vikrell® material for strength, durability, and lasting beauty

**Installation**

- Alcove
- Left drain

**Recommended Products/Accessories**

- 71374100 60" x 30" Vikrell® bath/shower wall set
- 71474100 60" x 30" Vikrell® bath/shower wall set
- 71574100 60" x 30" Vikrell® bath/shower wall set
- 71607104 16" x 22" bath seat



**ADA**

**Codes/Standards**

- CSA B45.5/IAPMO Z124
- ASTM E162
- ASTM E662
- ADA
- ICC/ANSI A117.1

**STERLING® Vikrell® or Acrylic Baths and Shower Bases Ten-Year Limited Warranty**

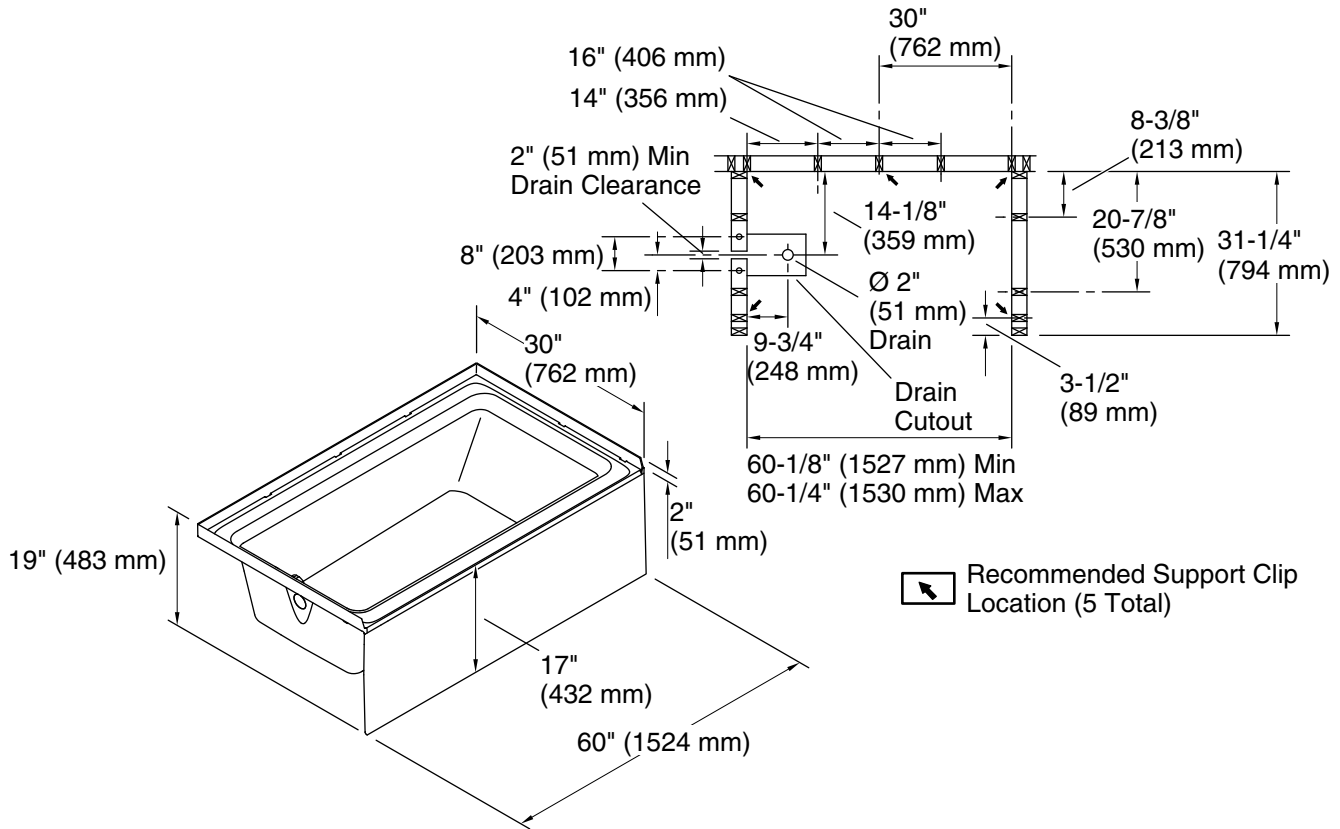
See website for detailed warranty information.

**Available Colors/Finishes**

*Color tiles intended for reference only.*

**Color Code Description**

	0	White
--	---	-------



**Technical Information**

All product dimensions are nominal.

Drain location:	Left
Basin area, bottom:	44" x 20" (1118 mm x 508 mm)
Basin area, top:	53" x 22-1/2" (1346 mm x 572 mm)
Weight:	55 lbs (24.9 kg)
Water depth:	12-1/4" (311 mm)
Water capacity:	48.9 gal (185.1 L)
Minimum flat for door:	2-3/4" (70 mm)

**Notes**

Install this product according to the installation instructions.

ADA compliant when installed to the specific requirements of these regulations.