

Features

- 122 airjets release thousands of bubbles that surround, support, and massage the body.
- Variable-speed blower lets you adjust massage intensity to 18 levels.
- Zones of Control™ feature allows you to target massage to back, midsection, or feet.
- Lighted keypad control.
- Generous length provides a spacious bathing area.
- Automatic and manual purge cycles remove residual water from air channels after use.
- Center drain.
- Coordinates with other products in the Escale collection.

Material

- Acrylic.

Hydrotherapy

- BubbleMassage™.

Installation

- Drop-in.

Recommended Products/Accessories

- K-1601 Bath/whirlpool footstop, removable
- K-1676 Bath/Pillow
- K-1705 Whirlpool/BubbleMassage™ Remote Control
- K-18486-4 Roman Bath Filler
- K-7214 27" Cable Bath Drain
- K-7219 Bath Drain
- K-9498 3" Keypad Trim
- K-24916 Wireless Music Kit
- K-23726 Drain treatment
- K-23732 Tub & shower cleaner

Codes/Standards

ASME A112.19.7/CSA B45.10
CSA B45.5/IAPMO Z124
ASTM E162
ASTM E662
UL 1795

KOHLER® Plastic Baths and Receptors Lifetime Limited Warranty KOHLER® Hydrotherapy Components Five-Year Limited Warranty

See website for detailed warranty information.

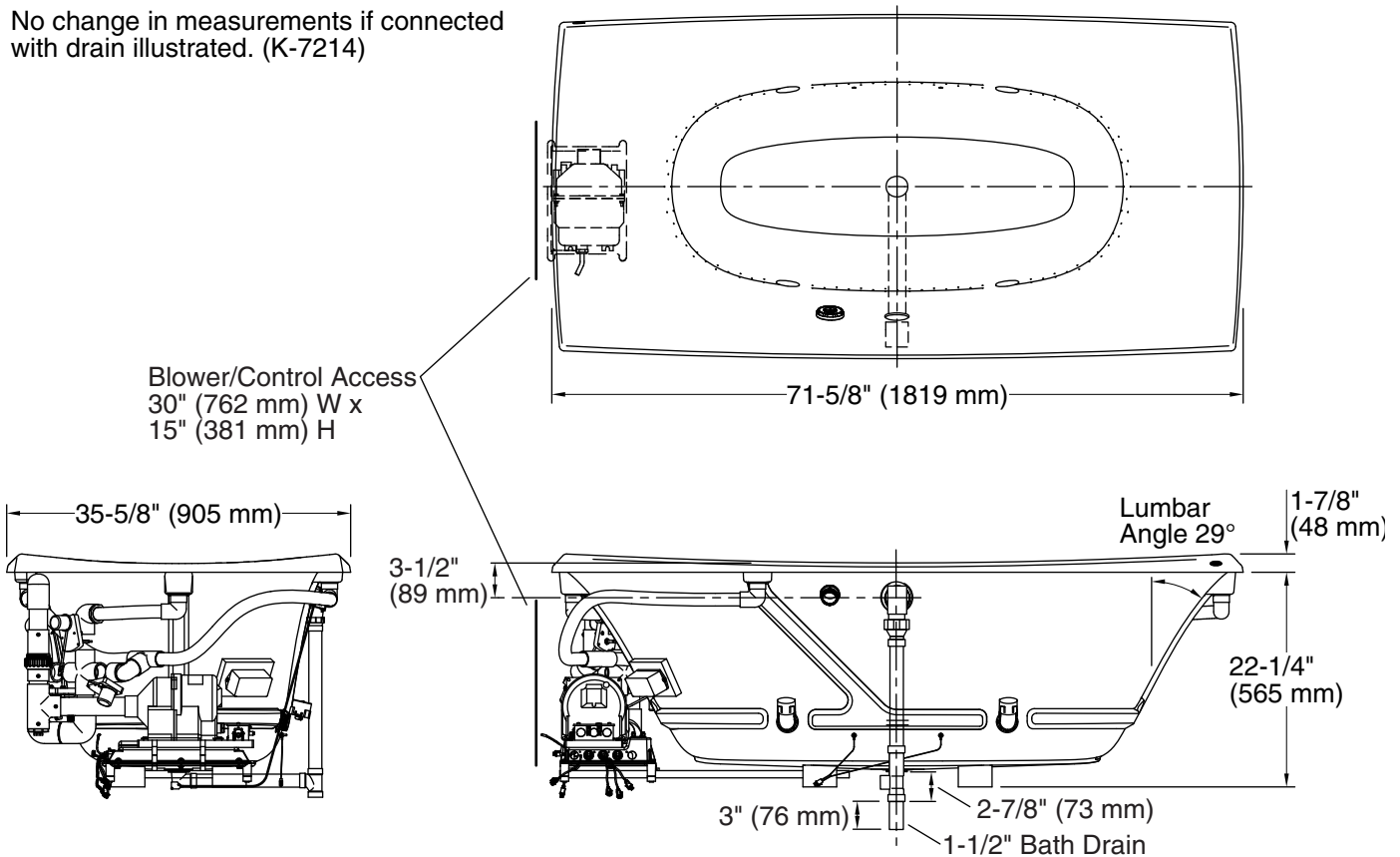
Available Colors/Finishes

Color tiles intended for reference only.

Color	Code	Description
-------	------	-------------

	0	White
--	---	-------

No change in measurements if connected with drain illustrated. (K-7214)



Required Electrical Service

One dedicated circuit required, protected with Class A Ground-Fault Circuit-Interrupter (GFCI). Outside North America, this device may be known as a Residual Current Device (RCD).

Blower: 240 V, 15 A, 50/60 Hz

Technical Information

All product dimensions are nominal.

Installation: Drop-in
 Drain location: Center
 Basin area, bottom: 46-3/4" x 21-5/8" (1187 mm x 549 mm)
 Basin area, top: 69-15/16" x 34-3/8" (1776 mm x 873 mm)
 Weight: 130 lbs (59 kg)
 Minimum floor load: 42 lbs/ft² (205.1 kg/m²)
 Water depth: 16-1/2" (419 mm)
 Water capacity: 71 gal (268.8 L)
 Template: Drop-in, 1054544-7, required, included
 Electrical component rating: Blower: 220-240 V, 5 A, 50/60 Hz

Notes

Measure your actual product for rough-in details.

Install this product according to the installation instructions.

The hot water supply should be 70% of the capacity of the bath or greater. Installations will vary.

This bath is designed for drop-in installation only. It is not suited for use in a three wall alcove with an overhead shower.