



Langlade®

Left-bowl sink rack
K-5182

Features

- Fits in the left bowl of the K-6626 Langlade Smart Divide® kitchen sink.
- Helps protect sink surface from daily wear.
- Innovative wheels around the perimeter provide a secure fit and reduce debris buildup.
- Dishwasher safe.

Material

- Durable stainless steel construction.

Recommended Products/Accessories

K-23729 Stainless steel cleaner



Codes/Standards

None Applicable


KOHLER® One-Year Limited Warranty

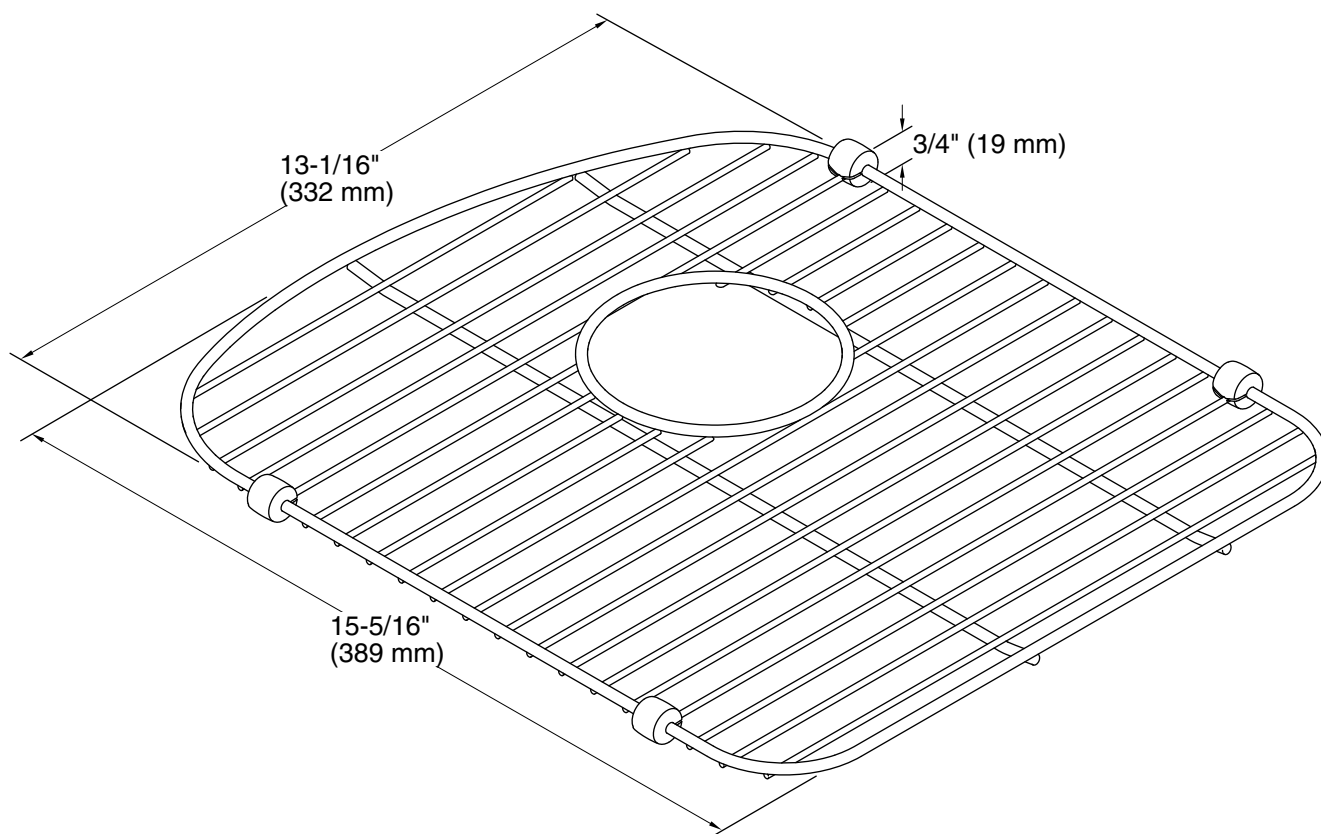
See website for detailed warranty information.

Available Colors/Finishes

Color tiles intended for reference only.

| Color | Code | Description |
|-------|------|-------------|
|-------|------|-------------|

| | | |
|--|----|-----------------|
|  | ST | Stainless Steel |
|--|----|-----------------|



Technical Information

All product dimensions are nominal.

Material: Stainless Steel