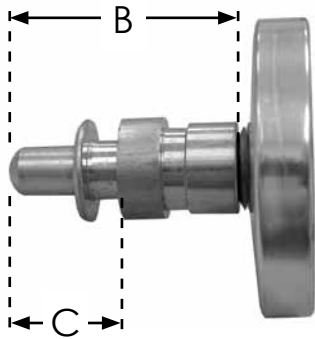
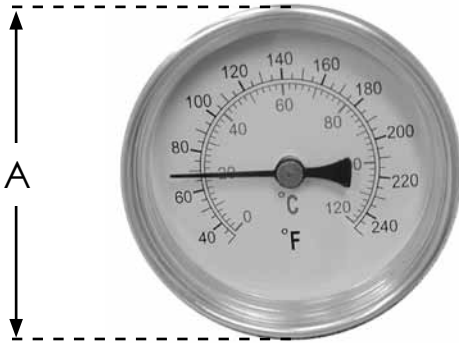


SPECIFICATION SUBMITTAL SHEET

JONES STEPHENS CORPORATION

DIAL THERMOMETER



features and benefits:

- 2 1/2" face
- 5° increments
- Dual scale: 40°-240°/0°-120°C
- Brass wells/removable thermometers
- Thermometers are supplied with wells

This product and others like it can be found in the Jones Stephens catalog. Call today to order your catalog or download it from our website: www.plumbest.com

PART NO.	SIZE	A	B	C
<input type="checkbox"/> J40702	3/4" SWT Connection	2 1/2"	2"	1"

Jones Stephens Corporation
3249 Moody Parkway • Moody, Alabama 35004
Toll Free Phone: 1-800-355-6637 • Toll Free Fax: 1-800-462-6991
www.plumbest.com