



4700 W. 160th St.
Cleveland, OH 44135
PH:800-321-9532
FX:800-321-9535
www.oatey.com

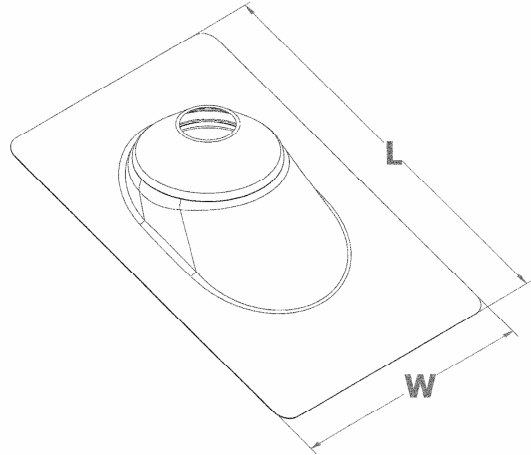
TECHNICAL SPECIFICATION

**ALL-FLASH® NO-CALK®
ROOF FLASHINGS**



Engineering Specification: Oatey All-Flash No-Calk Roof Flashings can be used in commercial and residential applications where a watertight seal for roof penetrations around the plumbing vent pipe is required.

Job Reference



(All dimensions in inches)

- ◆ Plastic Base Roof Flashing slides over C
- ◆ Metal Base Roof Flashing slides over DWV pipe for pitch to 40°
- ◆ Patented All-Flash collar has tear-away ring allowing flashing to seal different pipe diameters
- ◆ Plastic base flashings are made of rigid thermoplastic
- ◆ Aluminum base flashings are made of .032 stamped aluminum
- ◆ Galvanized base flashings are made of 24 gauge galvanized steel
- ◆ Non-fading sealing collar
- ◆ Approved for Type B installations
- ◆ Not for hot-mopped or built-up roofs
- ◆ Do not use paint or petroleum based products on plastic bases or rubber collars

✓	Product No.	Description	Length (L)	Width (W)	PACK	CARTON WEIGHT
	11919	1-1/2" – 3" Thermoplastic No-Calk Roof Flashing	15	11-1/4	12	9 lbs.
	11920	3" - 4" Thermoplastic No-Calk Roof Flashing	16	12	12	9 lbs.
	11937	1-1/2" – 3" Thermoplastic No-Calk Roof Flashing	15	11-1/4	6	4 lbs.
	11938	3" - 4" Thermoplastic No-Calk Roof Flashing	16	12	6	5 lbs.
	12403	1-1/2" – 3" Copper No-Calk Roof Flashing	14-1/2	11	12	10 lbs.
	12404	3" - 4" Copper No-Calk Roof Flashing	15-1/2	12	12	12 lbs.
	12945	1-1/2" – 3" Aluminum No-Calk Roof Flashing	14-1/2	11	12	7 lbs.
	12956	3" - 4" Aluminum No-Calk Roof Flashing	15-1/2	12	12	13 lbs.
	12976	1-1/2" – 3" Aluminum No-Calk Roof Flashing	14-1/2	11	6	4 lbs.
	12977	3" - 4" Aluminum No-Calk Roof Flashing	15-1/2	12	6	7 lbs.
	11871	1-1/2" – 3" Galvanized No-Calk Roof Flashing	14-1/2	11	12	17 lbs.
	11877	3" - 4" Galvanized No-Calk Roof Flashing	15-1/2	12	12	23 lbs.
	11815	1-1/2" – 3" Galvanized No-Calk Roof Flashing	14-1/2	11	6	4 lbs.
	11816	3" - 4" Galvanized No-Calk Roof Flashing	15-1/2	12	6	12 lbs.
	11957	1-1/2" – 3" Large Base Galvanized No-Calk Roof Flashing	18	18	12	23 lbs.
	11958	3" - 4" Large Base Galvanized No-Calk Roof Flashing	18	18	12	26 lbs.
	12974	1-1/2" – 3" Large Base Aluminum No-Calk Roof Flashing	18	18	12	20 lbs.
	12975	3" - 4" Large Base Aluminum No-Calk Roof Flashing	18	18	12	20 lbs.



Data is subject to manufacturing tolerances.