



**McGuire Manufacturing Co., Inc.**

60 Grandview Court  
 P.O. Box 746 • Cheshire, CT 06410  
 203-699-1801 • Fax: 203-699-1813  
 www.mcguiremfg.com

**PRODUCT SPECIFICATION**

**Part No.**

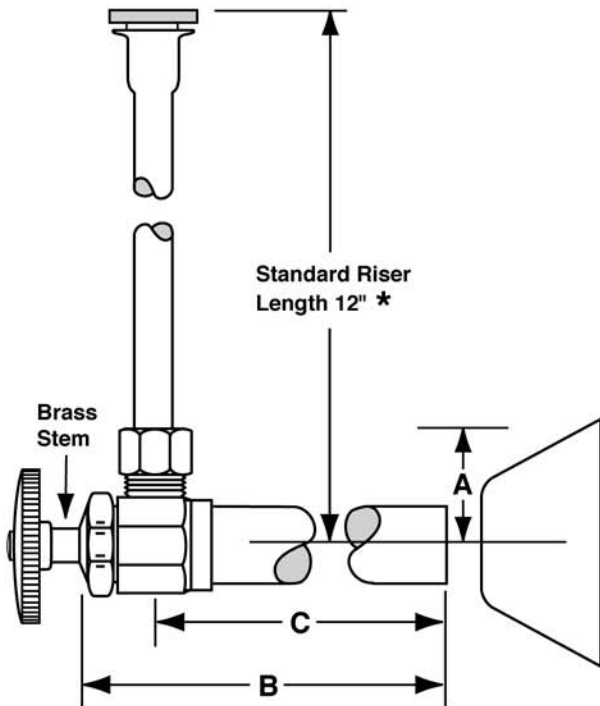
**LF172, LF172LK,  
 LF173, LF173LK**

**Sweat Closet Supply  
 with 5" Extension**

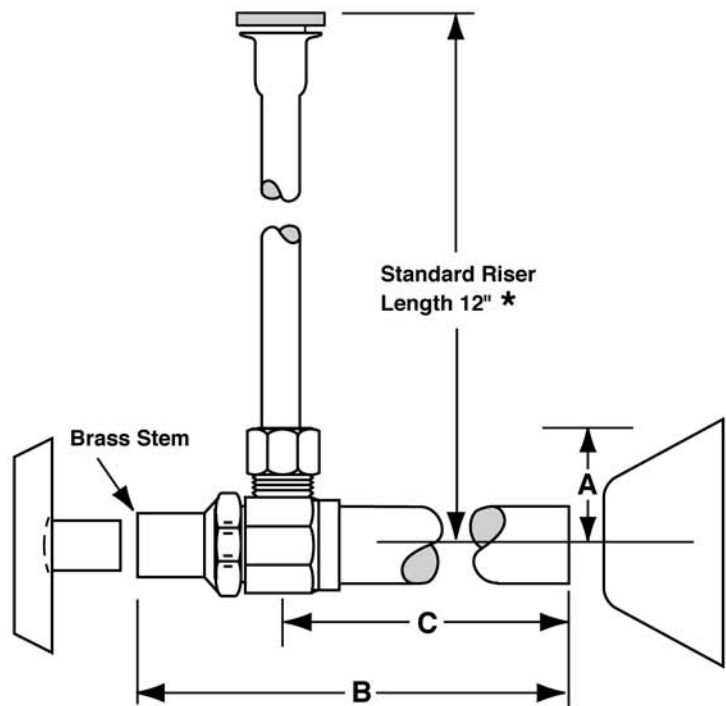
**Job Name:** \_\_\_\_\_

**Submittal Number:** \_\_\_\_\_

**Wheel Handle  
 with 5"  
 Extension Tube**



**Loose Key  
 with 5"  
 Extension Tube**



NO.	DESCRIPTION	ROUGHING MEASUREMENTS		
		A	B	C
<b>LF172</b>	1/2" Sweat x 3/8" O.D.	1"	6-1/4"	5-1/2"
<b>LF172LK</b>	1/2" Sweat x 3/8" O.D.	1"	7"	5-1/2"
<b>LF173</b>	1/2" Sweat x 1/2" O.D.	1"	6-1/4"	5-1/2"
<b>LF173LK</b>	1/2" Sweat x 1/2" O.D.	1"	7"	5-1/2"

**LK** designates Loose Key

\* See options and accessories section for details on product variations.



**Specifications:**

Supply kit shall include chrome plated lead free compliant supply stop valves with full turn brass stem, no plastic, (12, 15, 20) inch chrome plated risers and (shallow, deep, bell) (steel or brass) or (forged brass with set screw) flange. Inlet shall be (3/8, 1/2) inch (IPS, sweat, compression). Outlet shall be (3/8, 1/2) inch (IPS, compression). Supply kit shall be McGuire \_\_\_\_\_. Supply kit shall be certified by recognized and bear manufacturer and testing mark.