

Engineering Specification

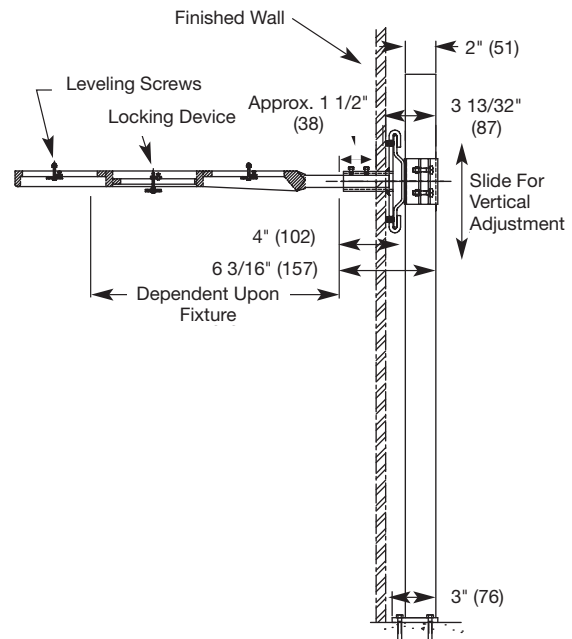
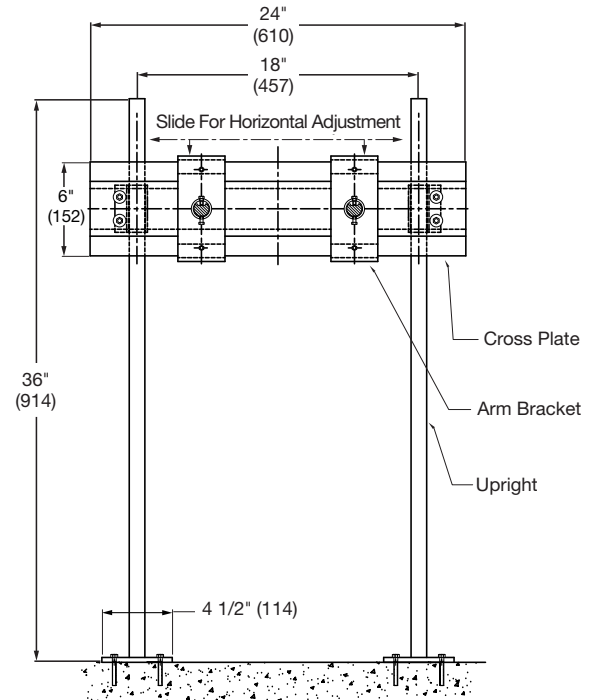
Job Name _____
 Job Location _____
 Engineer _____
 Approval _____
 Tag _____

Contractor _____
 Approval _____
 Contractor's P.O. No. _____
 Representative _____

TCA-411-WC Floor Mounted Concealed Arm 27x20 "Track" Lavatory Carrier Specification

Watts TCA-411-WC epoxy coated floor mounted concealed arm track lavatory carrier for 27 x 20 lavatories, with heavy gauge steel offset uprights with welded feet, steel cross plate with integral mounting brackets, sliding adjustable arm brackets, and adjustable cast iron concealed arms with mounting clips, leveling screws, and basin locking device.

Options		
Suffix	Description	
-M42	42" Long Carrier Leg	<input type="checkbox"/>
-M54	2" Chrome Plated Escutcheons, Single	<input type="checkbox"/>
-M55	4" Chrome Plated Escutcheons, Single	<input type="checkbox"/>
-M60	Knee Operated Valve Support Plate Single	<input type="checkbox"/>



NOTICE

Anchor legs to concrete floor with minimum 1/2" (13) anchor bolts (by others).

NOTICE

The information contained herein is not intended to replace the full product installation and safety information available or the experience of a trained product installer. You are required to thoroughly read all installation instructions and product safety information before beginning the installation of this product.

Watts product specifications in U.S. customary units and metric are approximate and are provided for reference only. For precise measurements, please contact Watts Technical Service. Watts reserves the right to change or modify product design, construction, specifications, or materials without prior notice and without incurring any obligation to make such changes and modifications on Watts products previously or subsequently sold.

