



# San Souci® Comfort Height®

One-piece compact elongated 1.28 gpf toilet  
K-5172-HC

## Features

- One-piece toilets integrate the tank and bowl into a seamless, easy-to-clean design.
- Compact elongated bowl offers added comfort while occupying the same space as a round-front bowl.
- Comfort Height® feature offers chair-height seating that makes sitting down and standing up easier for most adults.
- 1.28 gpf (4.8 lpf).
- Left-hand Polished Chrome trip lever.
- 2-1/8" (54 mm) fully glazed trapway.
- Hidden cord design conceals bidet seat cords.

## Technology

- AquaPiston® canister optimizes the flow out of the tank, harnessing gravity and the natural powerful reducing cascade of water to increase the power and effectiveness of the flush.



## Installation

- Standard 12" (305 mm) rough-in.
- Seat and supply line sold separately.

## Required Products/Accessories

K-26132-CSP C³®-420 Elongated bidet toilet seat

or

K-27142-CR C³®-430 Elongated bidet toilet seat

## Recommended Products/Accessories

1023457 Wax Ring/Hardware Kit

1265114 Connector Hose

## Included Components

Additional Components:

K-5420 Low-Profile Bolt Caps

K-9171-L Trip Lever for K-5172

ADA CSA B651 OBC

## Codes/Standards

ASME A112.19.2/CSA B45.1

DOE - Energy Policy Act 1992

EPA WaterSense®

California Energy Commission (CEC)

ADA

ICC/ANSI A117.1

CSA B651

OBC



## KOHLER® Toilets and Seats Limited Warranty

See website for detailed warranty information.

## Available Colors/Finishes

Color tiles intended for reference only.

### Color Code Description

	0	White
	96	Biscuit

1-800-4KOHLER (1-800-456-4537)

Kohler Co. reserves the right to make revisions without notice to product specifications.

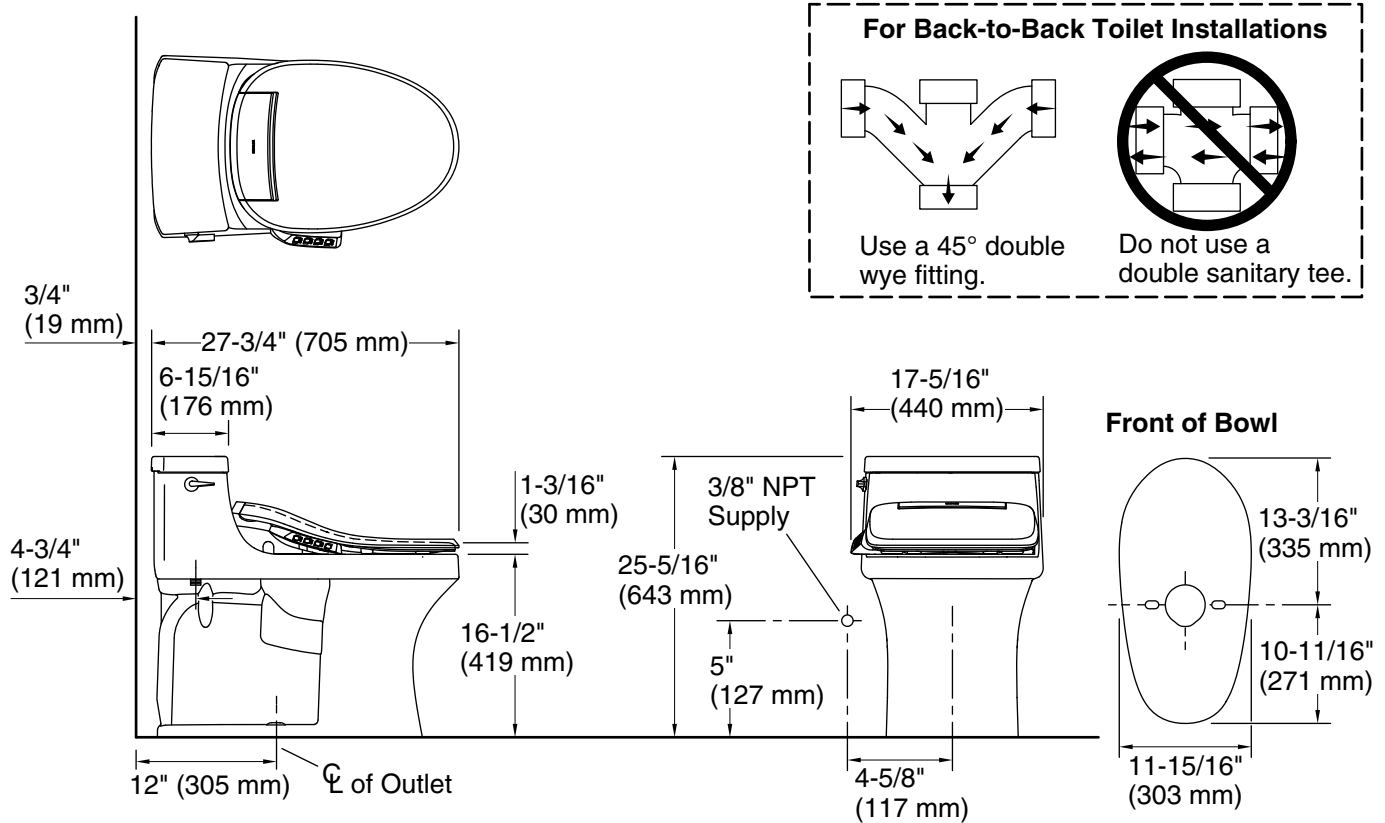
For the most current Specification Sheet, go to [www.kohler.com](http://www.kohler.com).

THE BOLD LOOK  
OF **KOHLER**®



# San Souci® Comfort Height®

One-piece compact elongated 1.28 gpf toilet  
K-5172-HC



### Technical Information

All product dimensions are nominal.

Toilet type:	Floor-mount
Waste Outlet:	Floor
Bowl shape:	Elongated
Flush type:	Gravity siphon jet
Trap passageway:	2-1/8" (54 mm)
Water Consumption	
Full:	1.28 gpf (4.8 lpf)
Water surface size:	10-3/4" x 7-1/2" (273 mm x 191 mm)
Rim to water surface:	5-3/8" (137 mm)
Seat-mounting holes:	5-1/2" (140 mm)

### Fixture Supply Requirements

Min static pressure:	20 psi (137.9 kPa)
Max static pressure:	80 psi (551.6 kPa)
Min flowing pressure:	15 psi (103.4 kPa)
Min flow rate:	1 gpm (3.8 lpm)

### Notes

Install this product according to the installation instructions.

ADA, OBC, CSA B651 compliant when installed to the specific requirements of these regulations.

Plumbing codes may require elongated toilets and elongated, open-front seats in public bathrooms.

Accessibility standards may require controls to be located on the open side of the toilet.