

MARIN

903160FMM-NDD

MARIN 60" LED SMART FAN

DETAILS	
FAN FINISH:	Metallic Matte Bronze
GLASS:	Etched Opal
BLADE COUNT:	3
SLOPE DEGREE:	20

DIMENSIONS	
WIDTH:	60"
HEIGHT:	17.8"

LIGHT SOURCE	
LED NAME:	EL16W2835
VOLTAGE:	120v
LUMENS:	1320
CRI:	90

MOUNTING	
CANOPY:	6" Dia.
LEAD WIRE:	1 x 76"

SHIPPING	
CARTON LENGTH:	32.2
CARTON WIDTH:	10.1
CARTON HEIGHT:	18.4



Modern meets maritime in the sleek Marin. Designed with a nautical flair in mind, Marin is available in Matte White, Metallic Matte Bronze, and Matte Black finishes and features composite blades. Marin is so versatile; it can be used for both indoor and outdoor spaces.

PRODUCT DETAILS:

- Can be hung on a sloped ceiling
- This item includes a 4.5" down rod (other lengths of down rods are available)
- Control your fan's power, light, speed, direction, and so much more from the Hinkley Home Automation app
- Light kit cover included
- Fan Control included, HIRO Control - 6 Speed Reversing. All-in-one HIRO remote controls power, speed, direction, and lighting; use as a wall control or portable remote
- WiFi Enabled Smart Fan is compatible with your home's WiFi network
- LED components carry a 5-year limited warranty
- Motor carries a lifetime warranty

HINKLEY

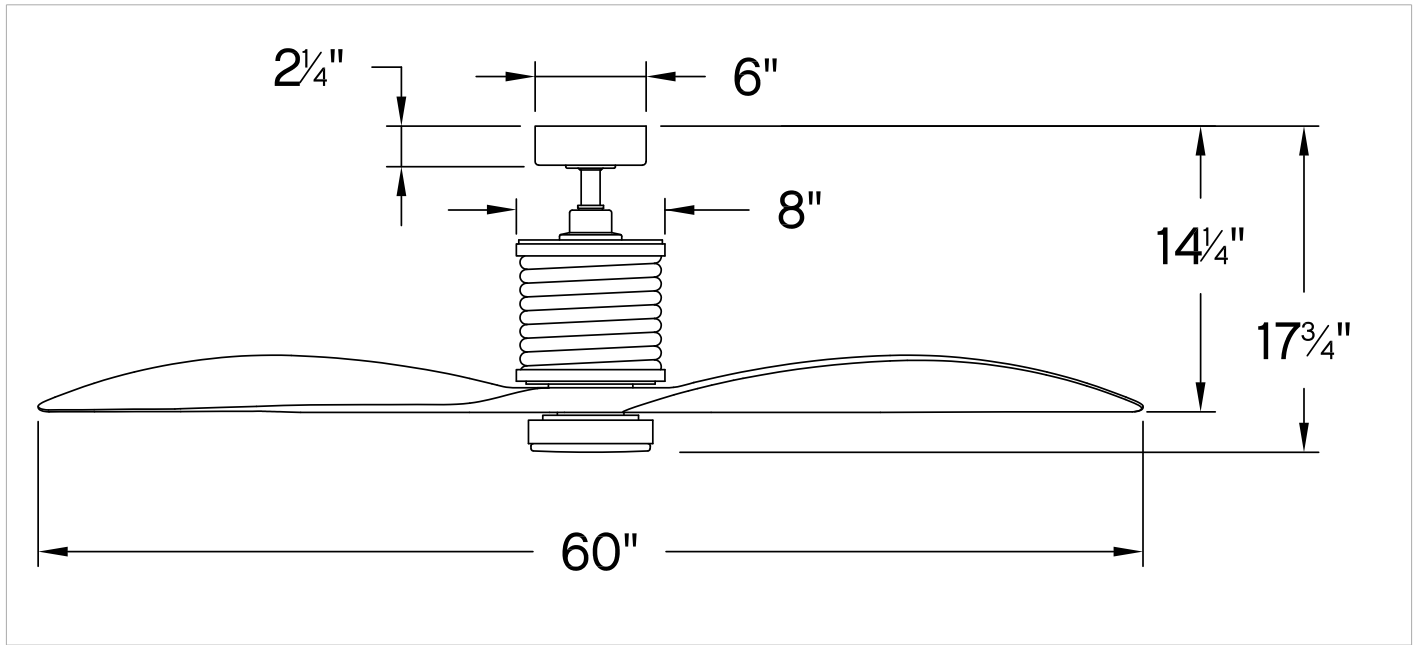
HINKLEY
33000 Pin Oak Parkway
Avon Lake, OH 44012

PHONE: (440) 653-5500
Toll Free: 1 (800) 446-5539

hinkley.com

MARIN 60" LED SMART FAN

903160FMM-NDD



PERFORMANCE SPECIFICATIONS	STANDARD	
	HIGH SPEED	AVERAGE SPEED
Airflow	6339	4792
EnergyUse	26.5	17
EnergyCost	7	5
Efficiency	239	273
AMPS	0.36	0.21
RPMS	105	75