

Features

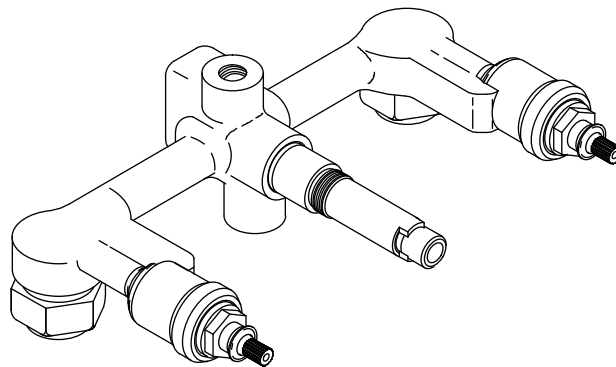
- *Wall-mount*
- *For 8" (203 mm) centers*
- *Brass valve bodies*
- *1/2" quarter-turn washerless ceramic disc valves*
- *Integral diverter mechanism*

Codes/Standards Applicable

Specified model meets or exceeds the following:

- *ASME A112.18.1/CSA B125.1*

VALVE SYSTEM K-303-K



Colors/Finishes

- NA: None applicable

Specified Model

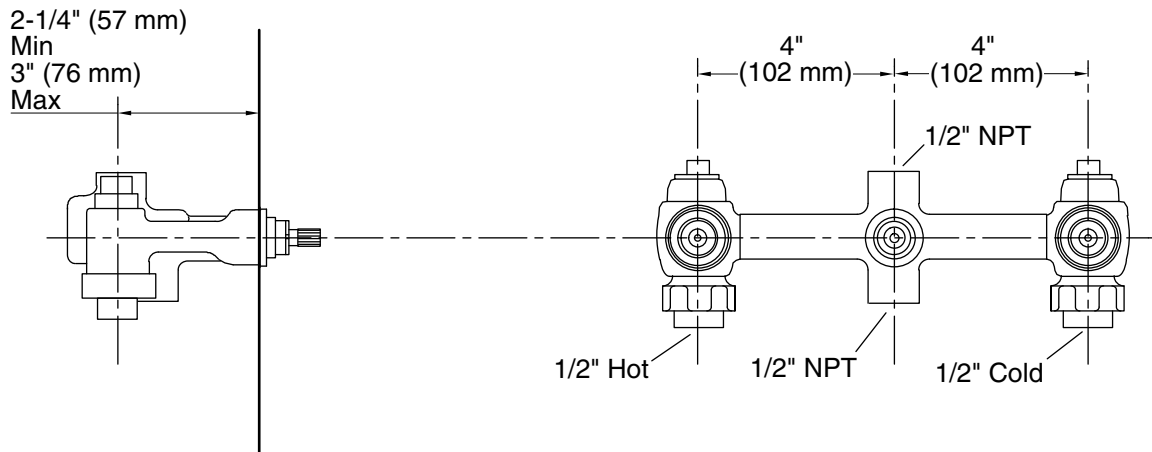
Model	Description	Colors/Finishes
K-303-K	3-handle 1/2" ceramic disc valve system	<input type="checkbox"/> NA

Product Specification

Three-handle wall-mount 1/2" valve system shall feature 8" (203 mm) centers, and brass valve bodies. Faucet shall feature 1/2" quarter-turn washerless ceramic disc valves. Product shall include an integral diverter mechanism. Valve system shall be Kohler Model K-303-K-NA.

Installation Notes

Install this product according to the installation guide.



Product Diagram