

# 4.0 ABS/PVC SPECIALTY PRODUCTS

SIZE PART # SKID CTN. WEIGHT CARTON  
QTY. QTY. (LBS.) BAR CODE

## 4.12 GREAT WHITE® SHOWER DRAINS

**SHOWER DRAIN WITH FEMALE THREADED BODY  
SOLVENT WELD, H x DRAIN GRATE, CSA APPROVED,  
CHILD-FRIENDLY GRATES**



METAL



PLASTIC

**ABS**

1-1/2"	332041	1800	25	0.375	10662671330137
1-1/2"	332041SS	1800	25	0.401	10662671330205
1-1/2"	332041PB	1800	25	0.423	10662671330151
2"	332042	1800	25	0.375	10662671330175
2"	332042SS	1800	25	0.401	10662671330755
2"	332042PB	1800	25	0.423	10662671330199

**PVC (WHITE)**

1-1/2"	322041W	1800	25	0.45	10662671320121
1-1/2"	322041WSS	1800	25	0.476	10662671320152
1-1/2"	322041WPB	1800	25	0.45	10662671320145
2"	322042W	1800	25	0.45	10662671320251
2"	322042WSS	1800	25	0.476	10662671320190
2"	322042WPB	1800	25	0.45	10662671320183

**45° OFFSET SHOWER DRAIN WITH  
FEMALE THREADED BODY,  
SOLVENT WELD, H x DRAIN GRATE,  
CSA APPROVED, CHILD-FRIENDLY GRATES**



ABS - SS=STAINLESS STEEL; PB=POLISHED BRASS

2" / 1-1/2"	332542	1152	8	0.408	10662671330458
2" / 1-1/2"	332542SS	1152	8	0.441	10662671330465
2" / 1-1/2"	332542PB	1152	8	0.441	10662671330489

PVC (WHITE) - SS=STAINLESS STEEL; PB=POLISHED BRASS

2" / 1-1/2"	322542W	1152	8	0.421	10662671320442
2" / 1-1/2"	322542WSS	1152	8	0.516	10662671320459
2" / 1-1/2"	322542WPB	1152	8	0.516	10662671320473

**SNAP-IN STRAINER GRATE FOR SHOWER DRAINS  
FITS 1-1/2" AND 2" GREAT WHITE SHOWER DRAINS**

**SQUARE GRATE (EXCLUSIVE CHILD-SAFE DRAIN GRATE PATTERN)**



METAL

STAINLESS STEEL	331943-2SS	-	1	0.104	10662671330809
POLISHED BRASS	331943-2PB	-	1	0.11	10662671330793

**ROUND GRATE**



PLASTIC

PVC	321942-2W	72	1	0.084	10662671320053
-----	-----------	----	---	-------	----------------



METAL

STAINLESS STEEL	331942-2SS	-	1	0.104	10662671330786
POLISHED BRASS	331942-2PB	-	1	0.126	10662671330779

SIZE PART # SKID CTN. WEIGHT CARTON  
QTY. QTY. (LBS.) BAR CODE

## 4.12 GREAT WHITE® SHOWER DRAINS

**ECONOMY FIBERGLASS  
SHOWER DRAIN WITH  
STAINLESS STEEL STRAINER,  
SOLVENT WELD,  
H x DRAIN GRATE**



**ABS**

2"	331982SS	-	20	0.527	10662671330991
2"	331982PB	-	20	0.882	10662671331417

**PVC (WHITE)**

2"	321982WSS	-	20	0.661	10662671320794
2"	321982PB	-	20	0.882	10662671320947

**BRASS NO-CAULK  
SHOWER DRAIN WITH  
SNAP-IN STAINLESS  
STEEL STRAINER**



2"	331952SS	-	20	1.292	10662671330861
----	----------	---	----	-------	----------------

**ECONOMY LOW-PROFILE  
BOLT-DOWN SHOWER DRAIN WITH  
STAINLESS STEEL STRAINER**



**ABS**

2" & 3"	331957SS	-	20	0.73	10662671330878
---------	----------	---	----	------	----------------

**PVC (WHITE)**

2" & 3"	321957WSS	-	20	0.926	10662671320671
---------	-----------	---	----	-------	----------------

**ECONOMY OFFSET FIBERGLASS  
SHOWER DRAIN WITH  
STAINLESS STEEL STRAINER**



**ABS**

2"	331962SS	-	30	0.637	10662671330908
----	----------	---	----	-------	----------------

**PVC (WHITE)**

2"	321962WSS	-	30	0.772	10662671320701
----	-----------	---	----	-------	----------------



**canplas®**  
**GREAT WHITE  
DRAINS**

Designed and  
manufactured with  
innovative features for  
superior performance,  
quality and value above  
the competition.

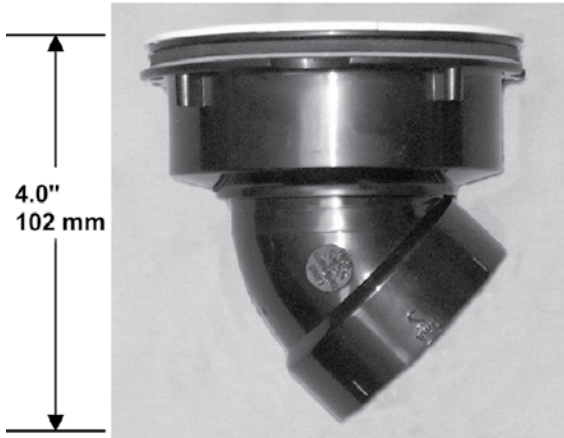
**ABS/PVC SPECIALTY**

**canplas®**

# 4.0 ABS/PVC SPECIALTY PRODUCTS

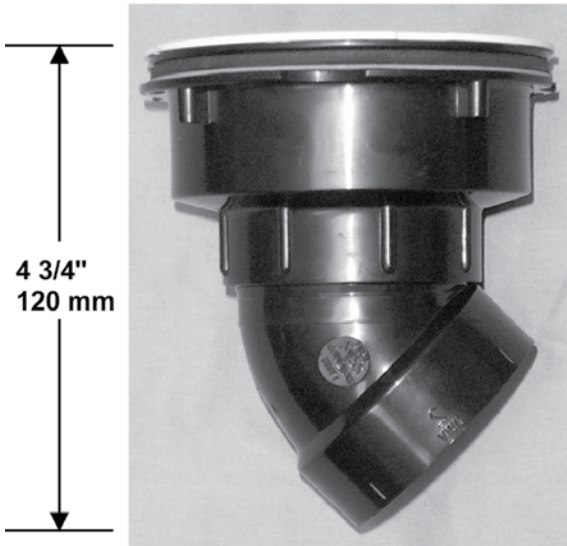
ABS/PVC SPECIALTY

## NEW Installation



2.0" 45° Shower Drain

## OLD Installation



2.0" Shower Drain with 2" Hub x Spigot 45°

### Material

Injection molded in ABS (Black) and PVC (White).  
Cover available in White PVC, Stainless Steel or Polished Brass.



## canplas® GREAT WHITE DRAINS 45° Shower Drain

- Provide a drain for water from a shower when the installation depth is restricted or obstructed.

### Features

- Designed with 45 (degree) discharge.
- Hub connection.
- Available in four different snap-in covers.
- No screws required to secure cover.

### Benefits

- Reduces clearance by 3/4" (18 mm) for 45° applications (refer to diagram).
- Attractive finish (no screws).
- No spigot by hub 45° elbow required.
- Eliminates one glue joint and possible area for leaking.

PART #	SIZE	DESCRIPTION	CTN. QTY.
<b>ABS</b>			
332542	2" / 1-1/2"	W/WHITE STRAINER	8
332542SS	2" / 1-1/2"	W/STAINLESS STEEL STRAINER	8
332542PB	2" / 1-1/2"	W/POLISHED BRASS STRAINER	8
<b>PVC (WHITE)</b>			
322542W	2" / 1-1/2"	W/WHITE STRAINER	8
322542WSS	2" / 1-1/2"	W/STAINLESS STEEL STRAINER	8
322542WPB	2" / 1-1/2"	W/POLISHED BRASS STRAINER	8

CSA certification and IAPMO Listing (Pending)

canplas®