



Iron Works® Historic™

Freestanding Bath
K-710-B

Features

- End drain.
- Integral lumbar support.
- 66" (1676 mm) x 36" (914 mm) x 24-1/2" (622 mm) with feet

Material

- Cast iron with Safeguard® finish.

Installation

- Freestanding

Required Accessories

K-1103 Ball-and-Claw-Feet

Recommended Accessories

- K-1491 Bath/Whirlpool Pillow
- K-1601 Bath/Whirlpool Footstop
- K-7104 1-1/2" Exposed Bath Drain
- K-7178 Decorative Bath Drain
- K-128 Riser Tubes
- K-110-3 Floor Or Wall-Mount Bath Faucet
- K-110-4 Floor Or Wall-mount Bath Faucet
- K-110-9B Floor Or Wall-mount Bath Faucet
- K-16210-4A Bath Faucet
- K-331-4M Bath Faucet
- K-6905-4 Bath Faucet



Codes/Standards

ASME A112.19.1/CSA B45.2
ASTM F462

KOHLER® Enameled Cast Iron Bath and Shower Base Lifetime Limited Warranty

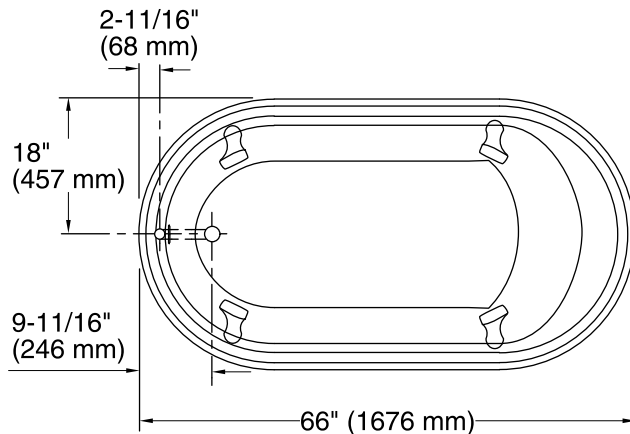
See website for detailed warranty information.

Available Color/Finishes

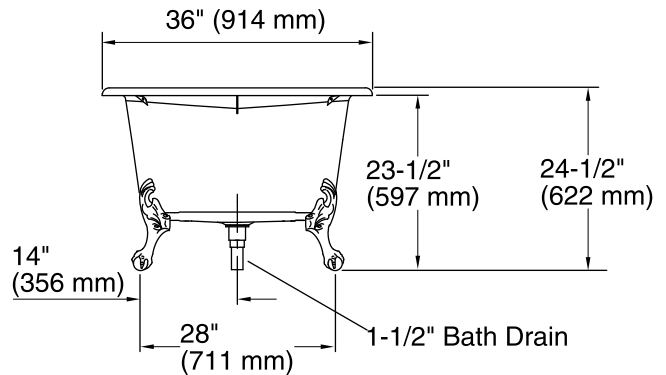
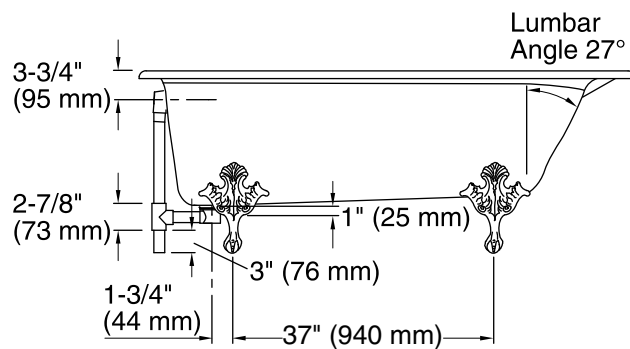
Color tiles intended for reference only.

| Color | Code | Description |
|-------|------|-------------|
|-------|------|-------------|

| | | |
|--|----|---------|
|  | 96 | Biscuit |
|--|----|---------|



No change in measurements if connected with drain illustrated. (K-7178)



Technical Information

All product dimensions are nominal.

| | |
|---------------------|---|
| Installation: | Freestanding |
| Drain location: | End |
| Basin area, bottom: | 47-1/2" x 25" (1207 mm x 635 mm) |
| Basin area, top: | 55" x 29" (1397 mm x 737 mm) |
| Weight: | 375 lbs (170.1 kg) |
| Minimum floor load: | 57 lbs/ft ² (278.3 kg/m ²) |
| Water depth: | 12-5/8" (321 mm) |
| Water capacity: | 64 gal (242.3 L) |

Notes

Measure your actual product for rough-in details.

Install this product according to the installation instructions.

The hot water supply should be 70% of the capacity of the bath or greater. Installations will vary.