

Features:

GUL20318

Included Components:

- Combination GUL20318
- Bowl GUF21377
- Tank GUF28380

- Vitreous China
- 12" Rough-In
- EcoFlush Pressure Vessel included
- Extra-Large Dual fed siphon jets for high power bowl clearing
- 100% glazed, 2" large trapway for clog-free waste removal
- Double nut, multi-point tank-to-bowl mounting system for tool-free installation
- Chrome, metal tank lever
- Toilet seat is not included



Technical Information:

| | |
|----------------------|---|
| Configuration | Two-piece, ErgoHeight™ ADA Elongated Toilet |
| Water per Flush | 1.0 gpf (3.8 Lpf) |
| Rough-In | 12" |
| Height | 30 7/8" |
| Width | 20 1/8" |
| Depth | 29 1/2" |
| Trapway | 2" |
| Large Water Surface | 8 11/16" x 6 5/16" |
| Shipping weight Bowl | 52.9 lbs |
| Shipping weight Tank | 49.6 lbs |

Accessories: (To be purchased separately)

- Slow Close Toilet Seat G0099213
- Non-Slow Close Toilet Seat G0099216

Other Tank Options: (To be purchased separately)

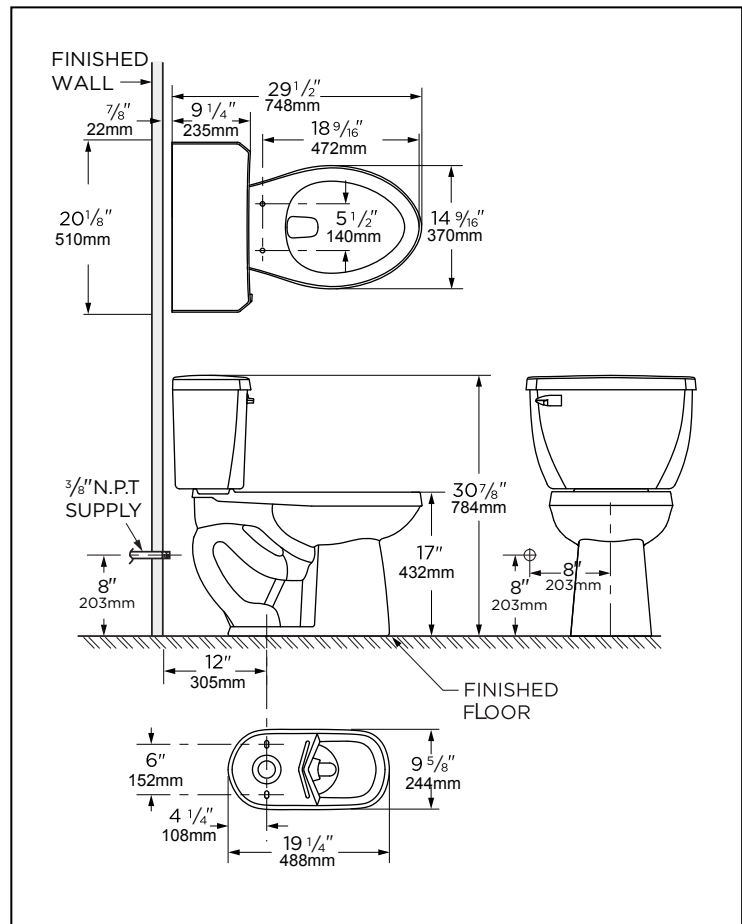
- Tank with Right Hand Lever GUF2838097

Available Colors:

- White
- Other: Refer to Price Book for additional colors/finishes

Warranty:

- Limited Lifetime on Vitreous China, refer to the website for more details.



NOTES: All dimensions are in inches and millimeters. Illustrations may not be drawn to scale.

IMPORTANT:

Dimensions of fixtures are nominal and may vary within the range of tolerances established by ASME standard A 112.19.2 THIS FIXTURE QUALIFIES ACCORDING TO ASME TEST PROCEDURES AS A HIGH EFFICIENCY WATER CLOSET WITH AN AVERAGE CONSUMPTION OF 1.0 gpf (3.8 Lpf) OR LESS.