



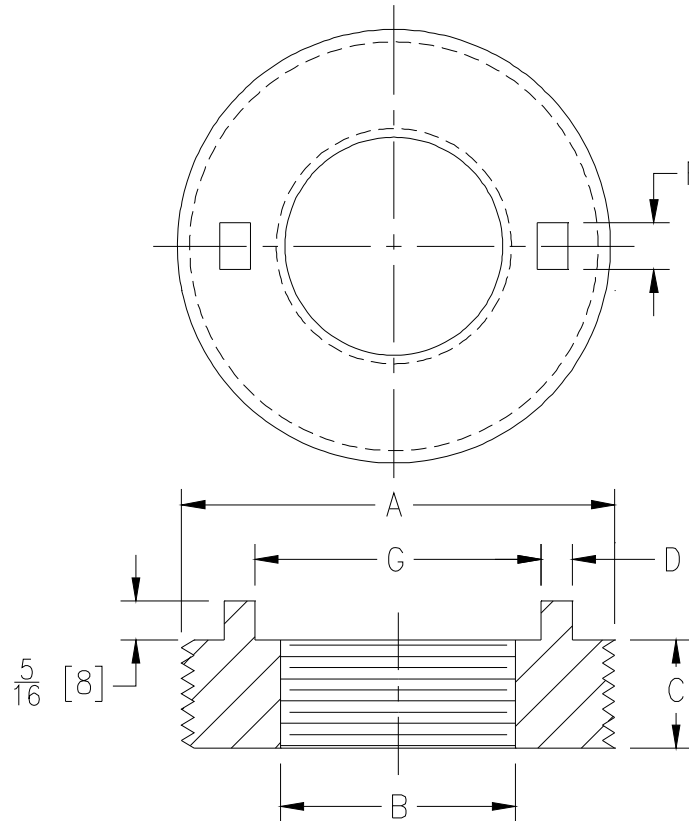
Z1033

FEMALE PIPE THREAD REDUCER

SPECIFICATION SHEET

TAG _____

Dimensional Data (inches and [mm]) are Subject to Manufacturing Tolerances and Change Without Notice



Dimensions In Inches						Approx. Wt. Lbs. [kg]
Pipe Size		C	D	F	G	
A	B					
1 [25]	3/4 [19]	7/16 [11]	-----	-----	-----	.5 [.2]
1-1/2 [38]	1-1/4 [32]	1/2 [13]	-----	-----	-----	.5 [.2]
2 [50]	1-1/4 [32]	9/16 [14]	1/8 [3]	3/8 [10]	1-29/32 [48]	.5 [.2]
2 [50]	1-1/2 [38]	9/16 [14]	1/8 [3]	3/8 [10]	1-29/32 [48]	1 [.5]
3 [75]	1-1/2 [38]	7/8 [22]	1/4 [6]	3/8 [10]	2-5/16 [59]	1 [.5]
3 [75]	2 [50]	7/8 [22]	1/4 [6]	1/2 [13]	2-35/64 [65]	1.5 [1]
4 [100]	2 [50]	1-1/8 [28]	1/4 [6]	1/2 [13]	3-1/16 [78]	3 [1]
4 [100]	3 [75]	1-1/8 [28]	1/4 [6]	1/2 [13]	3-37/64 [91]	2 [1]
6 [150]	4 [100]	1-1/8 [28]	5/16 [8]	1/2 [13]	5-1/8 [130]	6 [3]
6 [150]	5 [125]	1-1/8 [28]	5/16 [8]	1/2 [13]	5-21/32 [144]	3.75 [2]

ENGINEERING SPECIFICATION: ZURN Z1033
Female pipe thread cast iron reducer.

CONNECTION

Male Thread x Female Thread (See Chart)

REV. D	DATE: 10/29/10	C.N. NO. 120190
DWG. NO. 58895		PRODUCT NO. Z1033

*REGULARLY FURNISHED UNLESS OTHERWISE SPECIFIED