

SAYLOR

54300PN

MEDIUM LED SCONCE

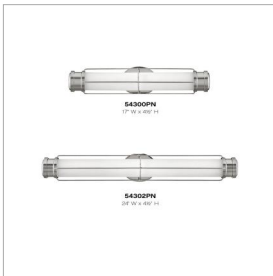
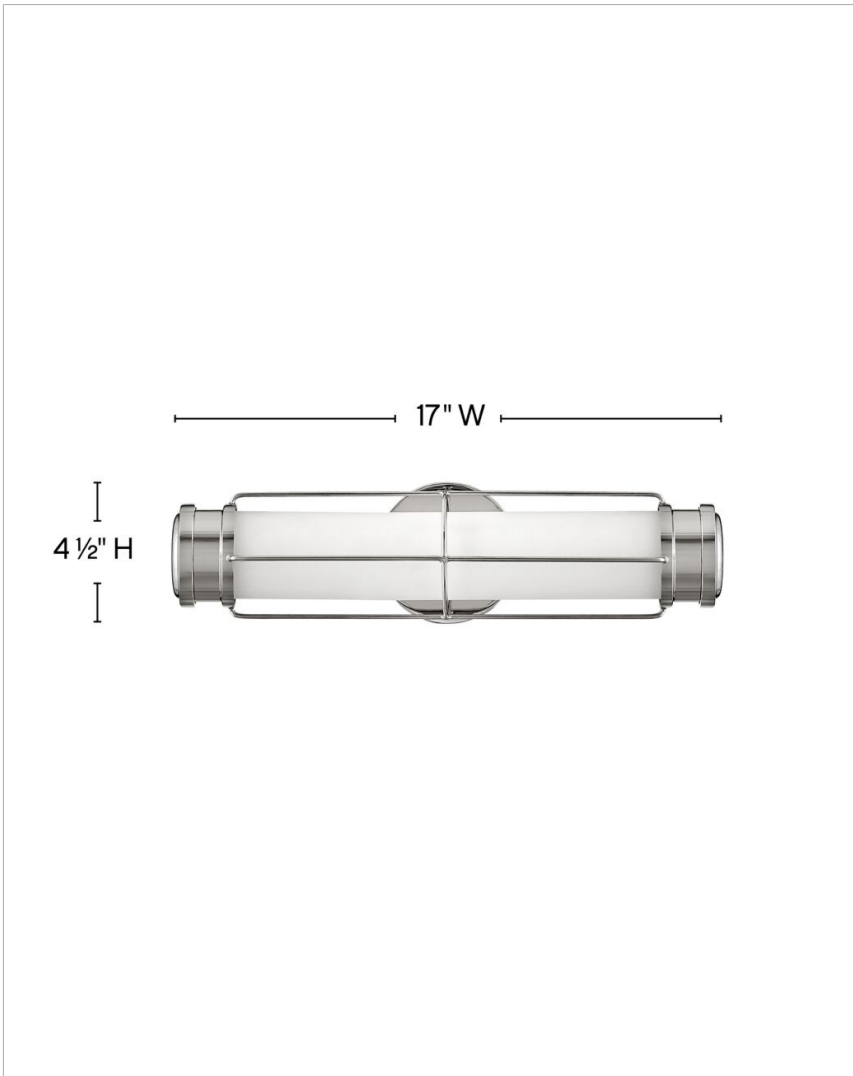
Saylor's classic look epitomizes nautical chic. Etched opal glass, striking cross bars, and bold end caps merge with LED technology without sacrificing timeless appeal. This transitional silhouette can be mounted horizontally or vertically with an Invisimount system. Offered in three finishes, Saylor is sure to add a maritime flair to any space.

DETAILS	
FINISH:	Polished Nickel
MATERIAL:	Steel
GLASS:	Etched Opal
DIMMABLE:	YES - CL TYPE DIMMER (SSL7A)

DIMENSIONS	
WIDTH:	17"
HEIGHT:	4.5"
WEIGHT:	1.4lb
BACK PLATE:	4.5" Dia.
EXTENSION:	5.3"
TOP TO OUTLET:	2.25"

LIGHT SOURCE	
LIGHT SOURCE:	Integrated LED
LED NAME:	EL2G16W7WI
WATTAGE:	16w LED *Included
VOLTAGE:	120v
LUMENS:	1400
CRI:	95
INCANDESCENT EQUIVALENCY:	1 x 100w
DIMMABLE:	YES - CL TYPE DIMMER (SSL7A)

SHIPPING	
CARTON LENGTH:	20
CARTON WIDTH:	11.3
CARTON HEIGHT:	7.5
CARTON WEIGHT:	2.1



PRODUCT DETAILS:

- Fixture can be mounted horizontally.
- Suitable for use in damp locations as defined by NEC and CEC. Meets United States UL Underwriters Laboratories & CSA Canadian Standards Association Product Safety Standards.
- LED components carry a 5-year limited warranty
- Fixture can be mounted vertically
- Merging the best of traditional and modern elements with a sophisticated and streamlined look
- Mounting hardware is hidden on the back plate to ensure a clean silhouette