

Features

- Brass construction.
- Compression valve.
- Annealed vertical tube with supply flange.
- 3/8" NPT connection with flange.
- Four-arm handle stop.



Codes/Standards



ASME A112.18.1/CSA B125.1

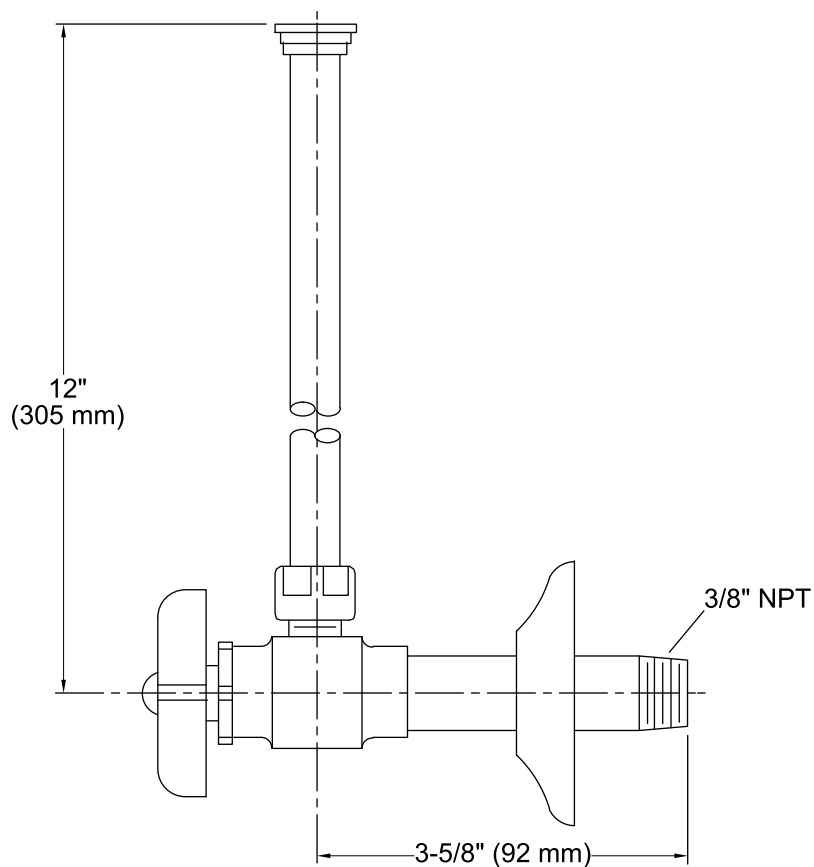
KOHLER® One-Year Limited Warranty

See website for detailed warranty information.

Available Color/Finishes

Color tiles intended for reference only.

Color	Code	Description
	CP	Polished Chrome
	SN	Vibrant® Polished Nickel
	AF	Vibrant® French Gold
	PB	Vibrant® Polished Brass
	G	Brushed Chrome
	BN	Vibrant® Brushed Nickel
	BV	Vibrant® Brushed Bronze
	BKB	Brushed Black



Technical Information

All product dimensions are nominal.

Notes

Install this product according to the installation guide.