

ELKAY® SPECIFICATIONS

Pacemaker® Double Bowl Sink Model PSR3322

GENERAL

Fine quality Pacemaker double bowl sink is seamlessly drawn of #20 gauge, type 304 (18-8) nickel bearing stainless steel. Top Mount

DESIGN FEATURES

Bowl Depth: 7-1/2" (both bowls).
 Coved Corners: 1-3/4" (44mm)
 Bowl and Faucet Deck Recess: 7/16" drop ledge.
 Finish: Exposed surfaces are polished to a bright satin finish.
 Underside: Fully undercoated to dampen sound and reduce condensation.

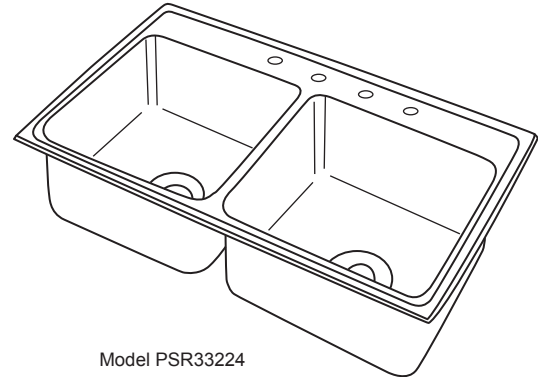
OTHER

Drain opening: 3-1/2" (89mm).

Sink complies with ASME A112.19.3/ CSA B45.4



Sinks are listed by IAPMO® as meeting the applicable requirements of the Uniform Plumbing Code®, International Plumbing Code®, and National Plumbing Code of Canada.



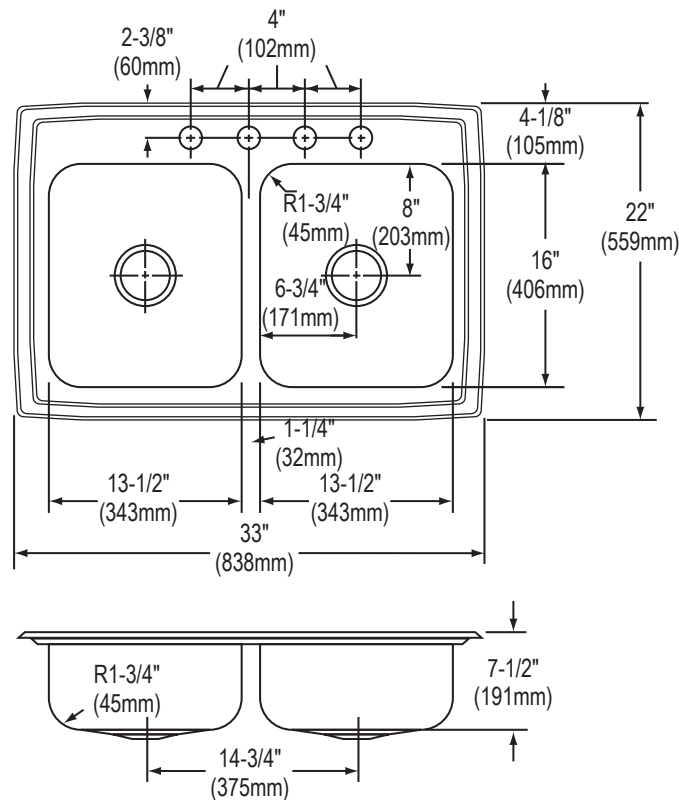
Model PSR33224

SINK DIMENSIONS*

Model Number	Overall		Inside Bowl			Cutout in Countertop (1-1/2" (38mm) Radius Corners)		No. of 1 1/4" (32mm) or 1 1/2" (38mm) Dia. Faucet Holes 4" (102mm) centers	Minimum Cabinet Size
	L	W	L	W	D	L	W		
PSR3322	33 (838mm)	22 (559mm)	13 1/2 (343mm)	16 (406mm)	7 1/2 (190mm)	32 3/8 (822mm)	21 3/8 (543mm)	1, MR2, 2, 3, 4 or 5	36 (914mm)

* Length is left to right. Width is front to back.

** Template #1000001189 is packed with every sink.



Model PSR33224 Illustrated

In keeping with our policy of continuing product improvement, Elkay reserves the right to change product specifications without notice. Please visit elkay.com for the most current version of Elkay product specification sheets.

This specification describes an Elkay product with design, quality, and functional benefits to the user. When making a comparison of other producers' offerings, be certain these features are not overlooked.