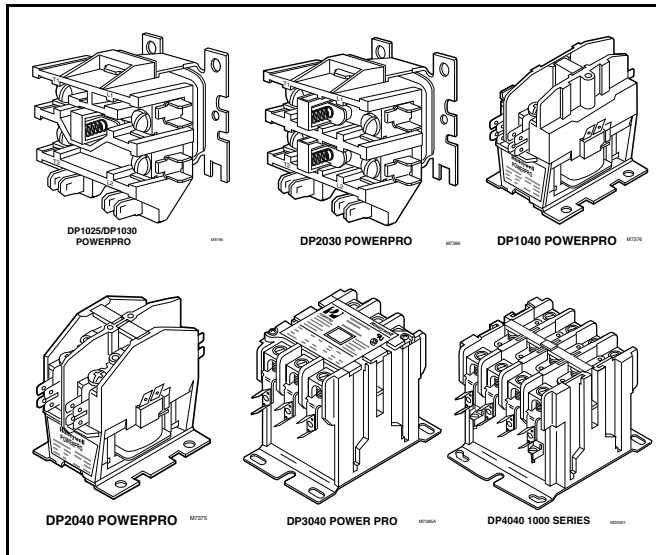




DP Series Definite Purpose Contactors

SPECIFICATION DATA



- Recessed push-to-test button prevents accidental operation.
- Three terminal styles—box lug, binding head screws or sems clamp, depending on model.
- Snap-on auxiliary interlocks provide a variety of switching options.
- Low profile design on most models allows more wiring room.

ECONOMY FAMILY FEATURES

- Meets ARI-790 Standard, at stated ratings (500,000 cycle mechanical life, 100,000 cycle electrical life, and 1000 cycle recycle life).
- Moisture proof epoxy is used to encapsulate the 3-pole (75A through 120A) coils.

GENERAL FEATURES

- Low drop-out voltage design is ideal for air conditioning, heating and refrigeration applications.
- Multiple mounting holes and slots for convenient, interchangeable mounting with most competitive devices.
- Reduced wiring costs with straight-through wiring.

DESCRIPTION

Definite purpose one- (25, 30, 40A), two- (20, 30, 40A), three- (25 to 120A) and four-pole (40A) contactors.

DELUXE POWERPRO™ FAMILY FEATURES

- Meet the most demanding ARI requirement, ARI-780 Standard, at stated ratings (500,000 cycle mechanical life, 200,000 cycle electrical life and 10,000 cycle recycle life).
- Silver Cadmium oxide contacts provide long life under demanding duty cycles.
- Class F high temperature insulated coils are standard on 3-pole, 25A through 60A contactors.

Table 1. UL and CSA Information.

Underwriters Laboratories Inc. Component Recognized		Canadian Standards Association Certified	
File No. E59779, Guide No. NLDX2	File No. E14480, Guide No. NLDX2	File No. LR95329-A224	File No. LR6535
1- and 2-pole (20A, 25A, 30A)	1-, 2- and 4-pole (40A); 3-pole (25A to 120A).	1- and 2-pole (20A, 25A, 30A)	1-, 2- and 4-pole (40A); 3-pole (25A to 120A).



Table 2. Coil Electrical Ratings (VA).

Type	AFL	Inrush		Sealed	
		Power Pro™	Economy	Power Pro™	Economy
1- or 2-pole	20	21.0	—	10.5	—
	25	21.0	—	10.5	—
	30	22.5	24.0	11.0	12.0
	40	27.0	27.0	7.3	7.3
3-pole	25	52.0	50.0	6.2	7.0
	30	52.0	50.0	6.2	7.0
	40	52.0	50.0	6.2	7.0
	50	91.0	90.0	15.6	11.0
	60	91.0	90.0	15.6	11.0
	75	—	200.0	—	31.0
4-pole	90	—	200.0	—	31.0
	120	—	310.0	—	26.0
	40	—	90.0	—	11.0

Table 3. Coil Electrical Ratings (Voltage).

Nominal Voltage	24V	120V	208/240V	277V
Contactor Type	Maximum Pickup Voltage (% of Nominal Voltage)			
1- and 2-pole, 20 and 30A	75%	80%	85%	85%
1- and 2-pole, 40A	80%	80%	80%	80%
3-pole, 5000 Series	80%	80%	80%	80%
3- and 4-pole, 1000 Series				

Table 4. Contact Electrical Ratings (1- and 2-Pole)^a.

Model Rating (A)	Line Volts	Motor Load Rating A/Pole		Resistive Load Per Pole	
		AFL	ALR	A	kW
20 25	240/277	20.0	100	30	7.2/8.3
	480	10.0	50	30	14.4
	600	8.0	32	30	18.0
	240/277	25.0	125	30	7.2/8.3
	480	10.0	50	30	14.4
	600	8.0	40	30	18.0
30 (1-pole)	240/277	30.0	150	40	9.6/11.1
	480	15.0	75	40	19.2
	600	12.5	50	40	24.0
30 (2-pole)	240/277	30	125	40	9.6/11.1
	480	10	50	40	19.2
	600	8.0	32	40	24.0
40 (1-pole)	240/277	40	180	55	13.2/15.2
40 (2-pole, PowerPro™)	240/277	40.0	150	55	13.2/15.2
	600 ^b	40.0	110	55	13.2/15.2
40 (2-pole, Economy)	277	40.0	200	55	13.2/15.2
	480	40.0	135	55	13.2/15.2
	600	40.0	110	55	13.2/15.2

^a Above 277V break all lines.

^b Device not tested for ARI-780 Standard at 600V; rating shown is UL rating.

Table 5. Contact Electrical Ratings (3- and 4-Pole)^{a,b}.

Model Rating (A)	Line Volts	Motor Load Rating A/Pole		Resistive Load Per Pole
		AFL	ALR	A
25	240/277	25.0	150	30 ^c
	480	25.0	125	30 ^c
	600	25.0	100	30 ^c
30	240/277	30.0	180	40
	480	30.0	150	40
	600	30.0	120	40
40	240/277	40.0	240	50
	480	40.0	200	50
	600	40.0	160	50
50	240/277	50.0	300	63
	480	50.0	250	63
	600	50.0	200	63
60	240/277	60.0	360	75
	480	60.0	300	75
	600	60.0	240	75
75	240/277	75.0	450	93
	480	75.0	375	93
	600	75.0	300	93
90	240/277	90.0	540	112
	480	90.0	450	112
	600	90.0	360	112
120	240/277	120.0	720	150
	480	120.0	600	150
	600	120.0	480	150

^a Above 240V break all lines.
^b Ratings differ due to different contactors and magnets.
^c Deluxe model has 35A resistive rating.

DP Contactors Order Number Guide

DP3040B5001

DP: Product Identifier: Definite Purpose Contactor.

3: Pole Identifier:

Pole Identifier	Number of Poles
0	1 pole without shunt
1	1 pole with shunt
2	2 poles
3	3 poles
4	4 poles

040: Amperage Identifier

Amperage Identifier	Amperage Rating
020	20 Amperes
025	25 Amperes
030	30 Amperes
040	40 Amperes
050	50 Amperes
060	60 Amperes
075	75 Amperes
090	90 Amperes
120	120 Amperes

B: Coil Identifier

Coil Identifier	Coil Voltage
A	24 Vac
B	120 Vac
C	208/240 Vac
D	277 Vac
E	480 Vac
F	600 Vac

5001: Series Identifier

Series Identifier	Type
1000-4999	Economy
5000-8999	Deluxe

DP SERIES DEFINITE PURPOSE CONTACTORS



Resideo Technologies, Inc.
1985 Douglas Drive North, Golden Valley, MN 55422
1-800-468-1502
69-0881-04 M.S. Rev. 03-21 | Printed in United States

www.resideo.com

© 2021 Resideo Technologies, Inc. All rights reserved.
This product is manufactured by Resideo Technologies, Inc. and its affiliates.