

#### Features

- Fits in the left bowl of the K-5818 Hartland kitchen sink.
- Durable stainless-steel construction.
- Helps protect sink surface from daily wear.
- Dishwasher safe.
- Rubber feet provide added protection.



#### Codes/Standards

None Applicable


#### KOHLER® One-Year Limited Warranty

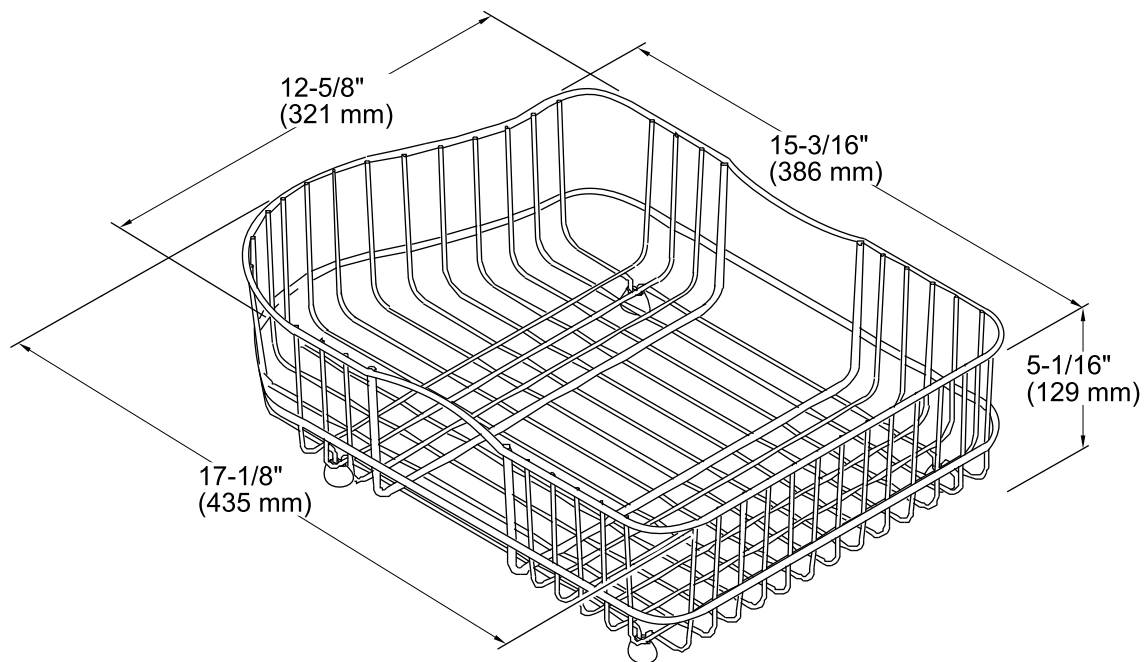
See website for detailed warranty information.

#### Available Color/Finishes

*Color tiles intended for reference only.*

Color	Code	Description
-------	------	-------------

	ST	Stainless Steel
--	----	-----------------



#### Technical Information

All product dimensions are nominal.