

# Check Valve

# Model 70

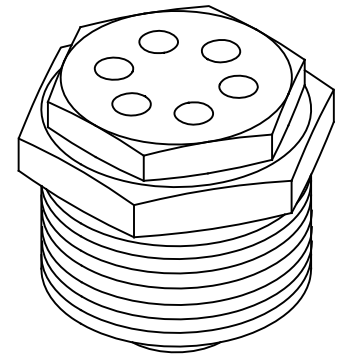
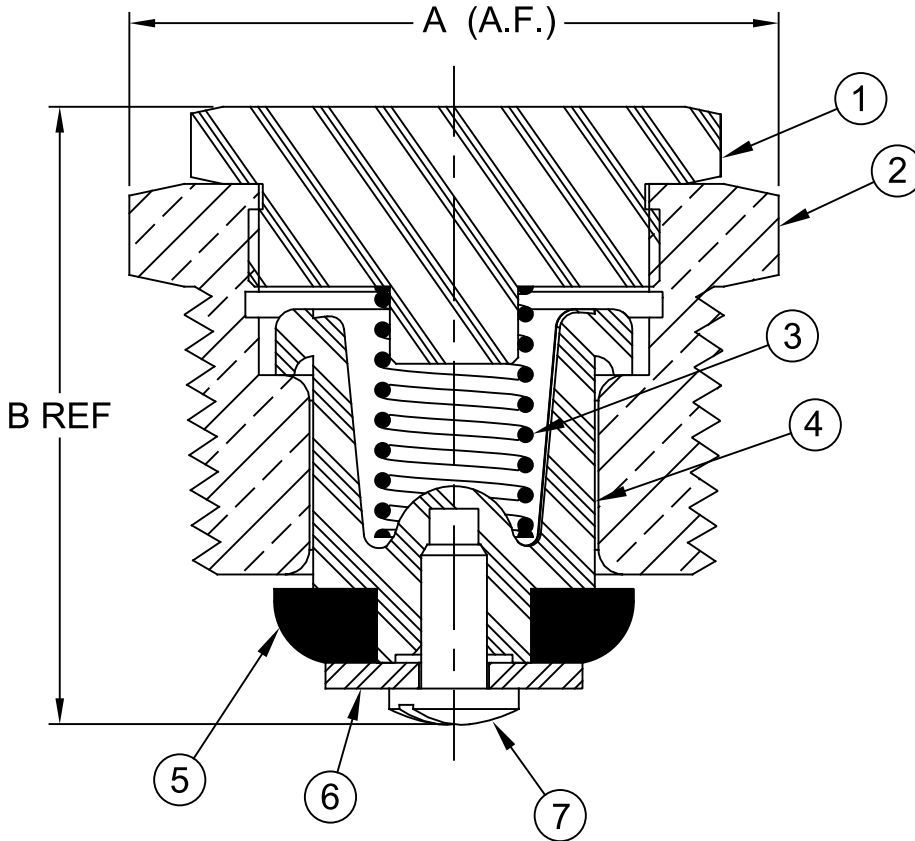


Flomatic Corporation

Sizes 1" / 25 mm  
5 gpm Closing Pressure



## Materials



Temp Max: 180°F (82°C)  
Pressure Max: 400 psi (28bar)

Description	Material	ASTM
4501P & PX Body	PVC (grey)	HR-5009
4501SS & SSX Body	Stainless Steel	304

Item #	Qty	Description	Material	ASTM
1	1	Retaining Cover	PVC (grey)	-----
2	1	Body	See Chart	-----
3	1	Spring	Stainless Steel	302
4	1	Guide	Delrin®	500P
5	1	Disc	Buna-n	N5007
6	1	Washer	Stainless Steel	18-8
7	1	Screw	Stainless Steel	18-8

## Dimensions

ANSI B1.20.1

Size		Part #	A		B		NPT	Opening Pressure psi	Weight	
inch	mm		inch	mm	inch	mm			lbs	kg
1	25	4501PX	1.38	35	1.50	38	1	5	.1	.05
1	25	4501SSX	1.38	35	1.50	38	1	5	.3	.14
1	25	4501P	1.38	35	1.50	38	1	10	.1	.05
1	25	4501SS	1.38	35	1.50	38	1	10	.3	.14

Flomatic Corporation can accept no responsibility for possible errors in catalogues, brochures and other printed material. Flomatic Corporation reserves the right to alter its products without notices. This also applies to product already agreed. All trademarks in this material are property of the respective companies. All rights reserved. ©2024 Flomatic Corporation. The drawings & information on this drawing sheet are the sole & exclusive property of Flomatic Corporation. Any reproduction, distribution, display or use of these drawings or information in whole or in part without written authorization of Flomatic Corporation is strictly prohibited. [www.flomatic.com](http://www.flomatic.com)



January 18, 2005  
Dwg No: S4501 Rev: F (8/24)

FLOMATIC CORPORATION  
GLENS FALLS, N.Y. 12801  
PHONE (518) 761-9797  
FAX (518) 761-9798