

ELKAY[®]

SPECIFICATIONS

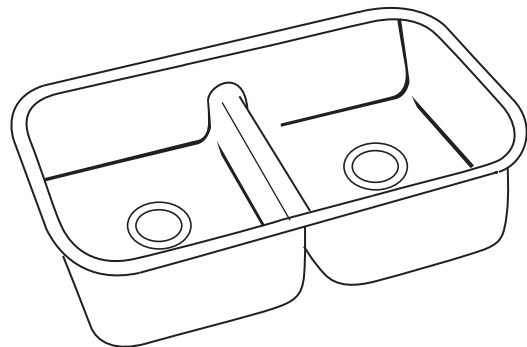
Gourmet Undermount Double Bowl Sink with Aqua Divide Model EAQDUH3118

GENERAL

High quality sink formed of 19 gauge, type 304 (18-8) nickel bearing stainless steel. Undermount.

DESIGN FEATURES

Bowl Depth: 8" (203mm).
Aqua Divide Height: 4-7/8" (124mm).
Coved Corners: 3-3/8" (86mm) vertical and 2" (51mm) horizontal radius.
Finish: Exposed surfaces are polished to a bright highlighted satin finish.
Underside: Sound dampening pads with spray undercoating to dampen sound and reduce condensation.



Model EAQDUH3118

OTHER

Drain Opening: 3-1/2" (89mm).
Note: All Elkay Undermount sinks are designed to affix to the underside of any solid surface countertop.

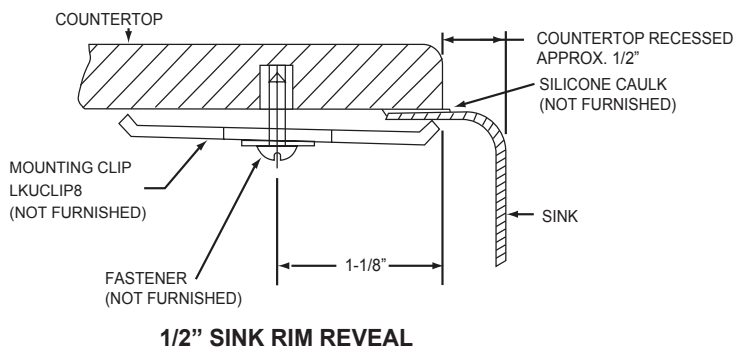
Sink complies with ASME A112.19.3/ CSA B45.4

 Sinks are listed by IAPMO[®] as meeting the applicable requirements of the Uniform Plumbing Code[®], International Plumbing Code[®], and National Plumbing Code of Canada.

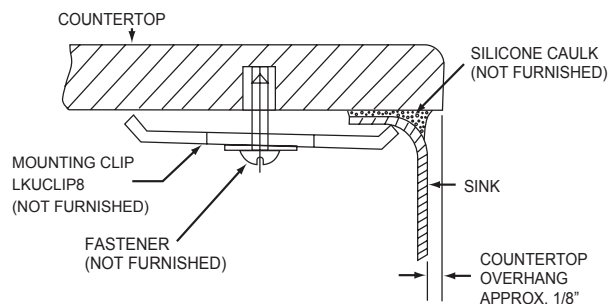
OPTIONAL ACCESSORIES

Bottom Grid: LKWBG1415SS
Cutting Board: CB1713 (Sink must be installed with a 1/2" reveal for cutting board to fit properly.)
Drain: LK99
Mounting Clips: LKUCLIP8 (2 packages recommended)
Rinsing Basket: LKW RB1414SS, LKW ERBSS
Utensil Caddy for Rinsing Basket: LKWUCSS

DUAL TEMPLATE MOUNTING OPTIONS



1/2\" SINK RIM REVEAL



1/8\" COUNTERTOP OVERHANG

In keeping with our policy of continuing product improvement, Elkay reserves the right to change product specifications without notice. Please visit elkay.com or elkaypro.com for the most current version of Elkay product specification sheets.

This specification describes an Elkay product with design, quality, and functional benefits to the user. When making a comparison of others producers offerings, be certain these features are not overlooked.

ELKAY[®]

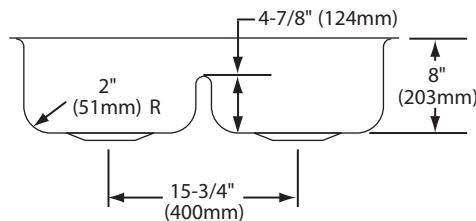
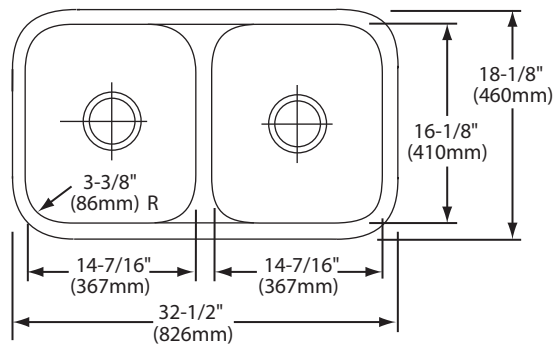
SPECIFICATIONS

Gourmet Undermount Double Bowl Sink with Aqua Divide Model EAQDUH3118

Sink Dimension*

Model Number	Overall		Inside Bowl Dimensions			Cutout in Countertop	Minimum Cabinet Size
	L	W	L	W	D		
EAQDUH3118	32 1/2" (826 mm)	18 1/8" (460 mm)	14 7/16" (367 mm)	16 1/8" (410 mm)	8" (203 mm)	See Template**	36" (914 mm)

* - Length is left to right. Width is front to back.
 ** - Dual mount template is packed with sink.



Model EAQDUH3118 Illustrated

In keeping with our policy of continuing product improvement, Elkay reserves the right to change product specifications without notice. Please visit elkay.com or elkaypro.com for the most current version of Elkay product specification sheets.

This specification describes an Elkay product with design, quality, and functional benefits to the user. When making a comparison of others producers offerings, be certain these features are not overlooked.