

Central Brass

C O M P A N Y

Brecksville, Ohio 44141

Phone: (216) 883-0220 Fax: (440) 526-5745

www.CentralBrass.com

**0905 0908-Z 0926
80908-Z 80926
**TWO-VALVE
BATH/SHOWER FITTING****

The two-valve shower fitting is made with a cast brass body with replaceable seats (for compression stems only) designed for I.P. union connections. The stem units are all brass with a reinforced rubber packing and rubber seat washer (for compression stems) or ceramic sealing discs (for ceramic units). The stem units can be easily replaced from the front of the fitting without removing the valve body. The handles and escutcheons are zinc die cast with a chrome plated finish. The shower arm is brass with a chrome plated finish, the escutcheon is stainless steel and the shower head is chrome plated plastic. The spout is brass or Zamak (Z suffix) with a chrome plated finish. Direct sweat union sleeves (C suffix).

ASME A112.18.1M

Shower Flow Rate 2.5 gpm @ 80 psi

MODEL NOS.
0905 0908-Z 0926
80908-Z 80926
TWO-VALVE
BATH/SHOWER FITTING



8" Centers, Direct Sweat, Compression Stems, Replaceable Seats

0905 Series	Bath Valve only
0908 Series	Bath Filler Valve with 1/2- inch IPS Spout
0926 Series	Shower Valve with Shower Head, Arm & Flange

8" Centers, Direct Sweat, Ceramic Stem Assemblies

80908 Series	Bath Valve with 1/2 IPS Spout
80926 Series	Shower Valve with Shower Head, Arm & Flange

Central Brass

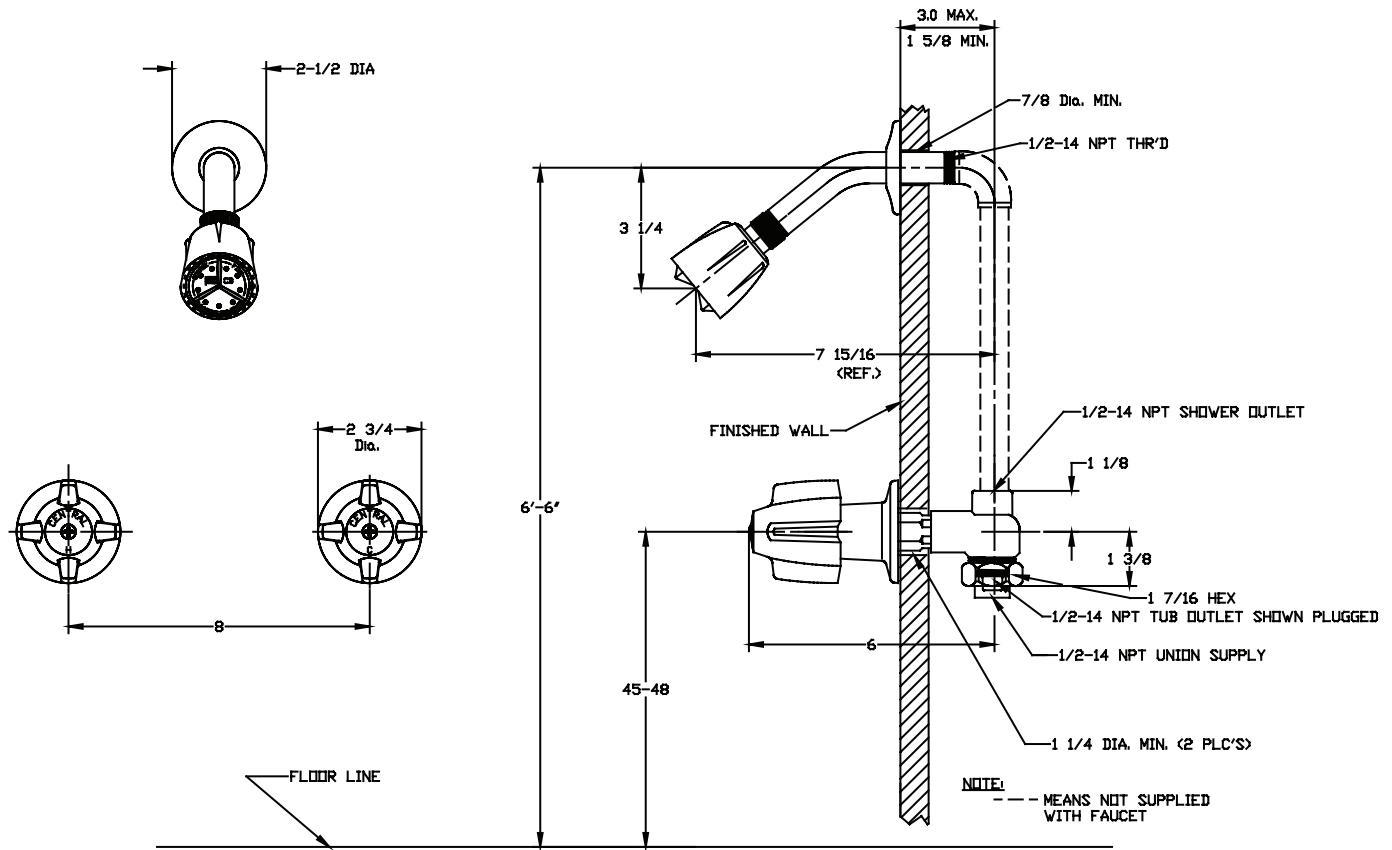
COMPANY

Brecksville, Ohio 44141

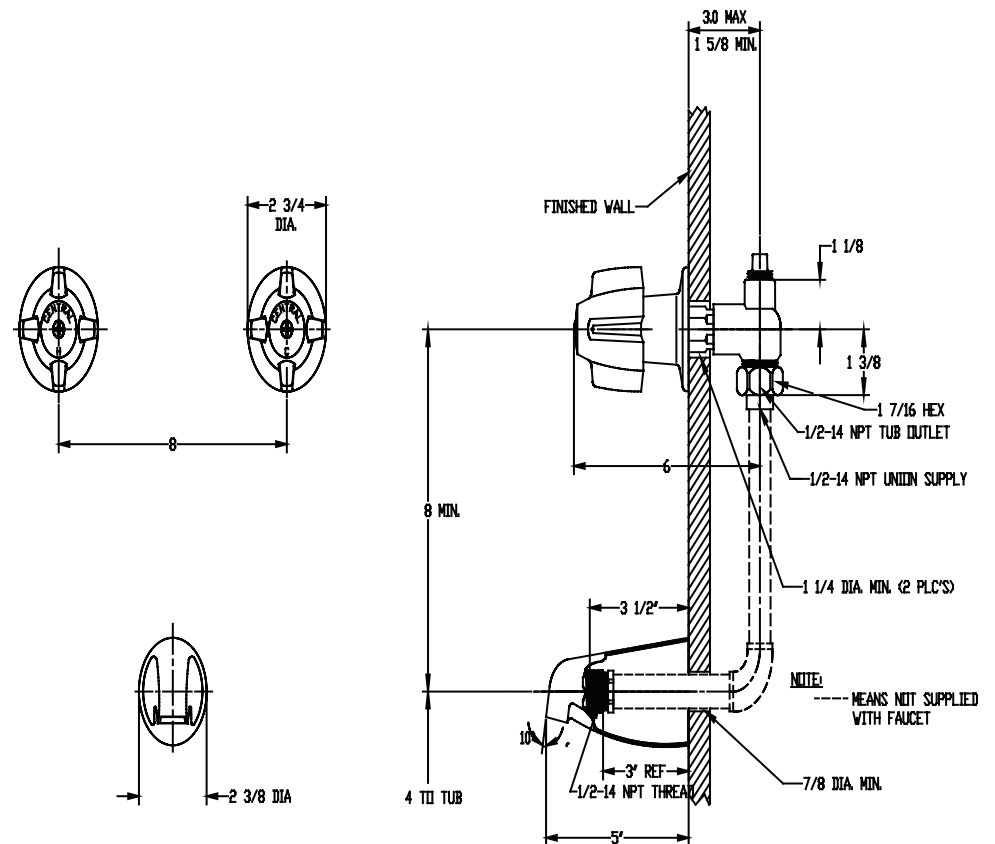
Phone: (216) 883-0220 Fax: (440) 526-5745

www.CentralBrass.com

0905 0908-Z 0926
80908-Z 80926
TWO-VALVE
BATH/SHOWER FITTING



Installation Drawings



Central Brass

C O M P A N Y

Brecksville, Ohio 44141

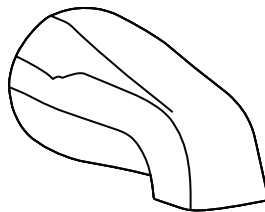
Phone: (216) 883-0220 Fax: (440) 526-5745

www.CentralBrass.com

0905 0908-Z 0926
80908-Z 80926
TWO-VALVE
BATH/SHOWER FITTING

Spout variations available

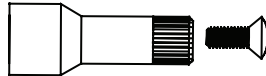
Z - Suffix
Zamak Spout



3154-Z

Accessories available

Brass
Stem Extension



G-1548-ET
(Available Separately)
Used for thicker wall dimensions