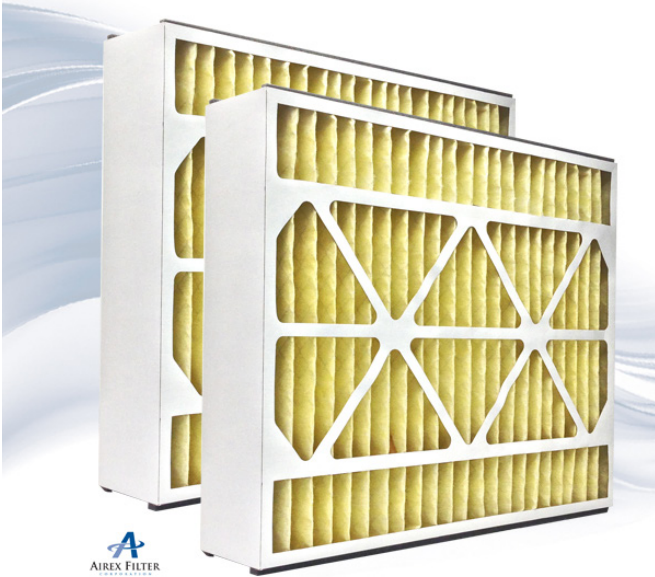


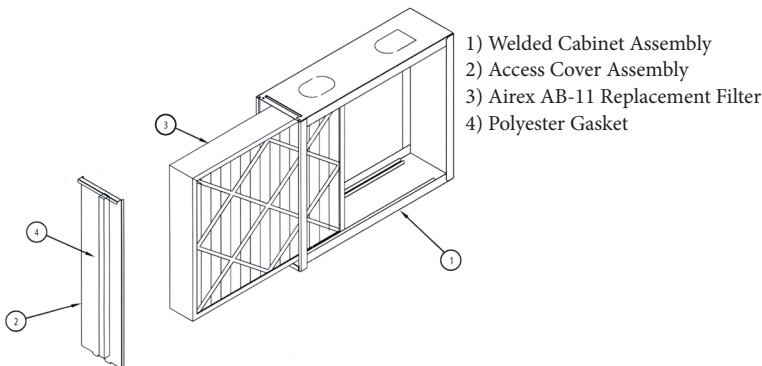
Airex Filter Corporation
AB-11 AIR BEAR
 Replacement Filter Cartridge



The Airex AB-11 Air Bear cartridge filters are designed for use with the Trion (Air Bear) air cleaner systems. Simply install the AB-11 in place of the Trion cartridge. No alterations or equipment modifications are required. The filter media is a 100% synthetic, electrostatically charged MERV 11 media, designed to attract and hold airborne contaminants. This results in a higher efficient filter, 80-85% @ 5 micron, without sacrificing airflow. Initial resistance of a 5" deep filter is just .16" w.g. @ 300 FPM. The enclosing frame of the AB-11 is constructed of a rigid, heavy duty moisture resistant beverage board. The support members with fingers are an integral part of the frame and are bonded to each pleat on both sides to insure pleat spacing and stability. The filter pack is bonded to the inside periphery of the frame, thus eliminating the possibility of air bypass. Gaskets have been added on all four sides top and bottom for a tight seal into any housing. The media support grid is a heavy expanded wire with an effective open area of not less than 93%. The wire grid is bonded to the filter media to eliminate the possibility of media oscillation and media pull away. UL Approved 217V as to flammability class 2 UL900.

Typical Performance Data

Filter Depth (inches)	Nominal Size (inches)	Actual Size (inches)	Capacities (CFM)		Resistance (inches W.G.)			Microns (particle size)	Efficiency (particle @ 300FPM)
			Med.	High	Med.	High	Final		
3"	16x25x3	15.8125x24.3125x3	300	500	.16	.25	1.0	5	94%
5"	16x25x5	15.875x24.75x4.375	300	500	.16	.25	1.0	5	94%
	20x25x5	19.625x24.125x4.75	300	500	.16	.25	1.0	5	94%



The Airex AB-11 Air Bear replacement cartridges are designed for use in the Trion Air Bear cleaner housings. Simply install in place of the Trion cartridge. No alterations of equipment are needed. We also carry replacement filters for the 600SG and 650 SG. One of the most popular filters used in homes across the country.

Register today for online ordering:

Shop our full line of commercial filtration products:

www.Airexco.com

- featuring unique volume discounts
- quick re-order from history
- various shipping and payment options

Final maximum recommended resistance is 1.0" w.g. MERV 11 filters are 95% efficient at 3-5 micron. Maximum operating temperature 180 degrees fahrenheit intermittent.

For more information, please visit our informational website

www.AirexFilter.com

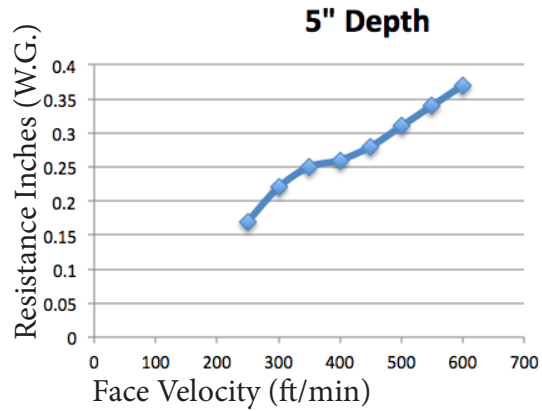


Airex Filter Corporation

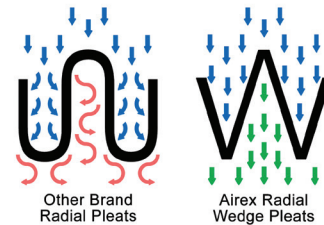
AB-11 AIR BEAR

Replacement Filter Cartridge

example part # **AB20255**
AB-20-25-5



Radial pleats produce turbulent airflow and uneven air distribution. Airex radial wedge pleats optimize air flow while reducing restriction.



- MERV 11 performance rating
- Earns LEED Points
- Reduces energy cost
- Extended filter life-cycle
- Conserves resources
- Improves indoor air quality
- Available in 3" and 4" depths
- Special sizes available upon request



Underwriters Laboratories, Inc. (UL) is an agency that lists products they have tested against criteria deemed appropriate for public safety. The classification for HVAC air filters confirms that the filters will meet local and state requirements for most applications.

UL 900 covers both washable and throwaway filters, used for the removal of dust and other airborne particles from mechanically circulated air in equipment and systems. This is in accordance with the Standards of the National Fire Protection Association (NFPA) for Installation of Air Conditioning and Ventilating Systems, of Other Than Residence Type, NFPA No. 90A, and for Installation of Residence Type Warm Air Heating and Air Conditioning Systems, NFPA No. 90B.



Administrative Office
Manufacturing Plant I

14 Clement Road
Hudson, NH 03051
800-660-2298

Production Office
Manufacturing Plant II

19 Executive Drive
Hudson, NH 03051
800-660-2298

