

Product Features

- Type Angle
- 1/4 Turn
- One Piece Body
- Chrome Plated Brass Body
- Chrome Plated Die Cast Zinc Handle
- Brass Stem
- Double O-Ring Design
- 1/2" Press x 3/8" Compression
- Pressure Rating: 125 PSI
- Temperature Rating: 32°F - 160°F
- cUPC, NSF/ANSI 61 and 372 Approved

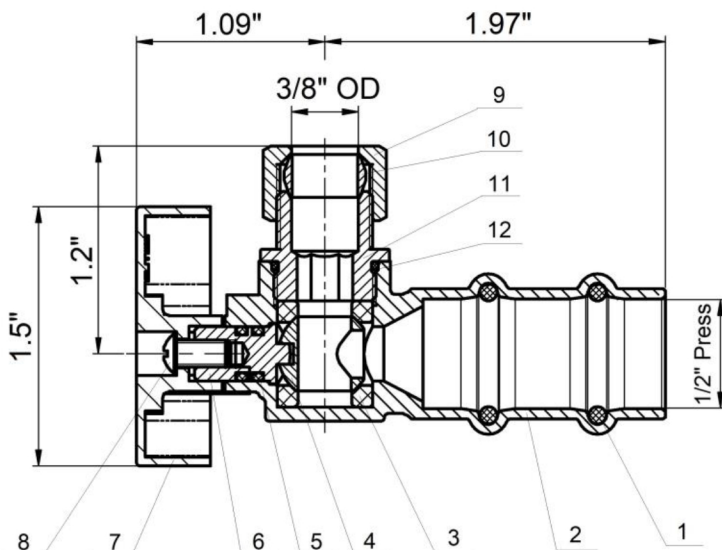


Model Numbers

4PRO12.38ASPRESS

1/2" Press x 3/8" Comp LF 1/4 Turn Angle Stop

Drawing



No.	Part	Material	QTY
1	O-Ring	EPDM	2
2	Body	C46500 Brass	1
3	Seal Seat	PTFE	2
4	Ball	C46500 Brass	1
5	O-Ring	NBR	2
6	Stem	Brass	1
7	Handle	Zinc Alloy	1
8	Screw	Stainless Steel	1
9	Nut	Brass	1
10	Cutting Sleeve	Brass	1
11	Bonnet	C46500 Brass	1
12	O-Ring	NBR	1