



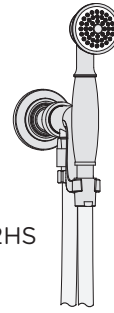
# SYMMONS® Canterbury®

## Location:

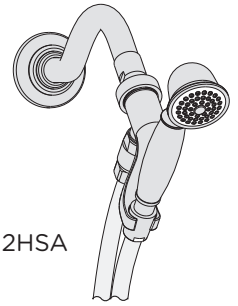
512HS, 512HSA

Hand Shower

### Specification Submittal



Model, 512HS



Model, 512HSA

#### Model Numbers

- 512HS** Hand Shower with cradle for mounting hand shower
- 512HSA** Hand Shower, arm and cradle for mounting hand shower

#### Feature Highlights

- Single mode hand shower with wand #462W
- Wall connection and flange, 5 foot flexible metal hose with in-line vacuum breaker
- Cradle for mounting hand shower
- Standard flow rate is 2.0 gpm (7.6 L/min)
- Optional lower flow rate restrictor available
- Polished chrome finish (standard)

#### Options/ Modifications

- 1.5** 1.5 gpm (5.7 L/min) flow restrictor
- STN** Satin Nickel finish
- 72** 72" hose in place of 60" hose
- L2** Less hand shower wand

**Note:** Append appropriate -suffix to model number.

#### Compliance

- ASME A112.18.1/CSA B125.1



#### Warranty

**Limited Lifetime** - to the original end purchaser in consumer/residential installations.

**10 Years** - for commercial/industrial installations. Refer to [www.symmons.com/warranty](http://www.symmons.com/warranty) for complete warranty information.



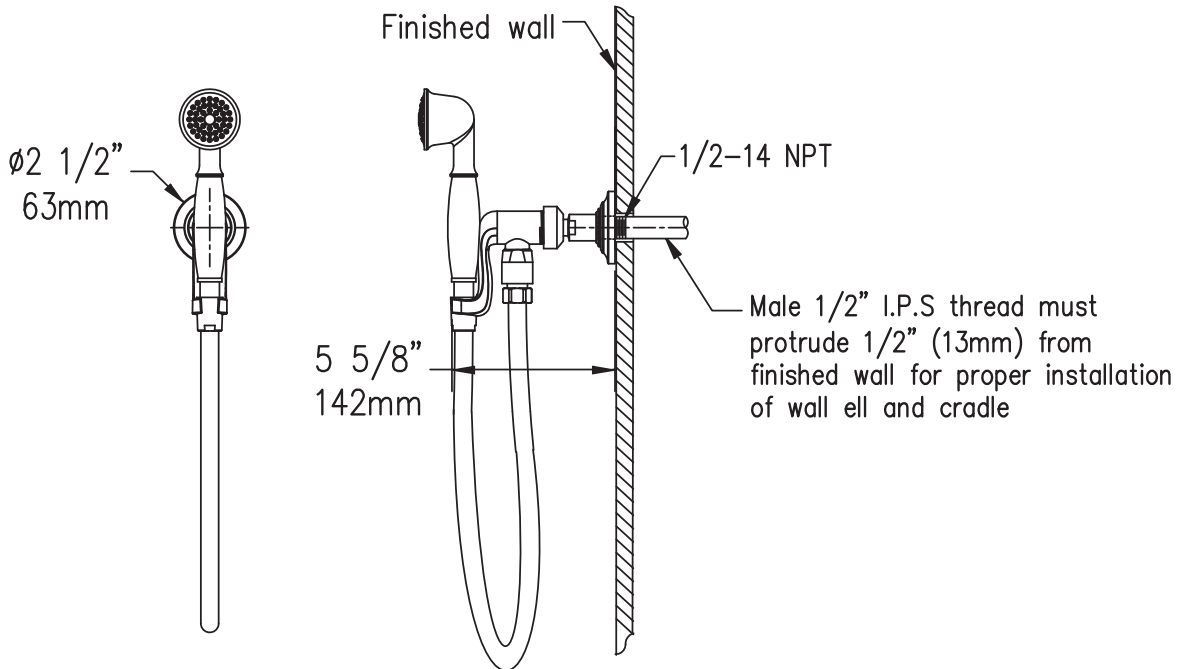
#### Architectural/ Engineering Specification

Symmons Hand Shower \_\_\_\_\_ Includes Single mode hand shower with wand #462W, Wall connection and flange, 5 foot flexible metal hose with in-line vacuum breaker, Cradle for mounting hand shower, Standard flow rate is 2.0 gpm (7.6 L/min), Optional lower flow rate restrictor available, Polished chrome finish (standard). 10 Year Commercial Warranty. ASME A112.18.1/CSA B125.1 compliant. Available options: "1.5 - 1.5 gpm (5.7 L/min) flow restrictor", "STN - Satin Nickel finish", "72 - 72" hose in place of 60" hose", "L2 - Less hand shower wand".

512HS, 512HSA

**Dimensions**

*Hand Shower, 512HS*



*Hand Shower with arm, 512HSA*

