

**P4H-500C**

**P4H-500BN**



**P4H-500MB**

## ***Single Handle Lavatory Faucet***



**Product Spec Sheet**

### **FEATURES & BENEFITS**

- This Product Contains Less Than 0.25% Weighted Average Lead Content On Wetted Surfaces
- One Hole or Three Hole Installation
- Metal Lever Handle
- Ceramic Cartridge
- Optional Deckplate Included
- Integrated Supply Lines
- Metal Push Pop-Up
- Max Flow Rate 1.0 GPM (3.8L/Min) At 60 PSI (ASME A112.18.1/A112.18.1)

P4H-500C  
Chrome Finish

P4H-500BN  
Brushed Nickel Finish

P4H-500MB  
Matte Black

### **Approvals:**

Meets or Exceeds The Following:

- \* ASME A112.18.1/CSA B125.1
- \* NSF/ANSI 61
- \* NSF/ANSI 372
- \* IAPMO/cUPC
- \* CA AB1953
- \* ADA Compliant
- \* EPA WaterSense



**TEL:** 855-806-0688

**FAX:** 845-350-4043

Visit Our Web Site : [www.plumb4orce.com](http://www.plumb4orce.com)

**P4H-500C**

**P4H-500BN**

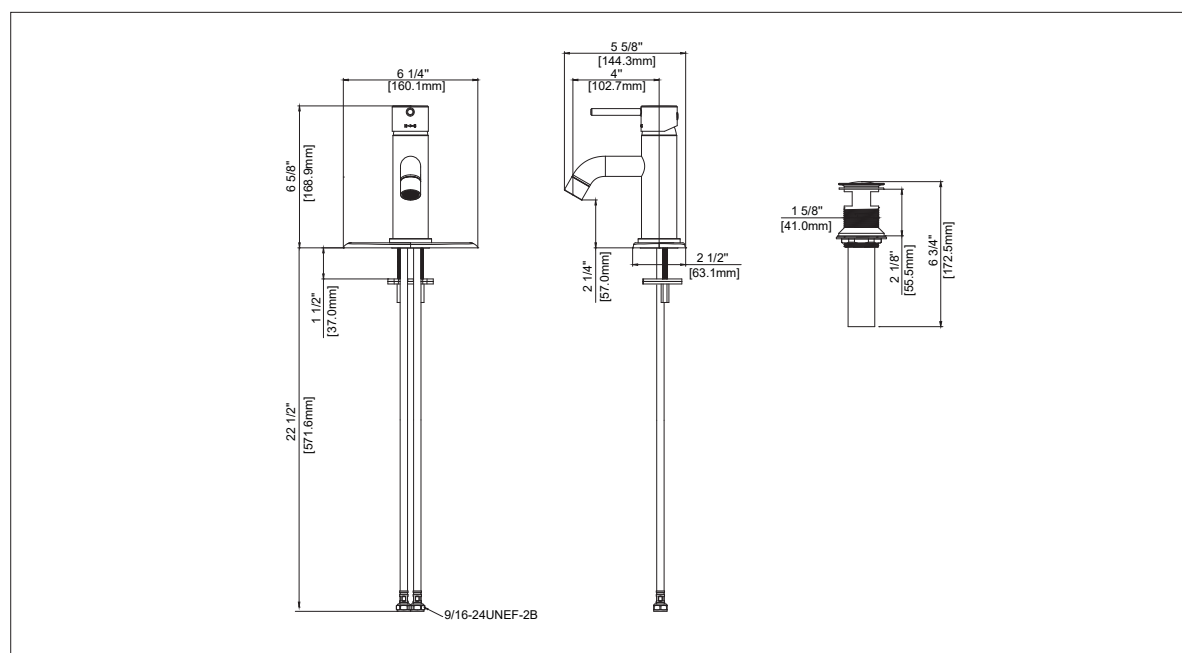


**P4H-500MB**

# Single Handle Lavatory Faucet

No.	Name	Part No.
1	Index / Índice	RP80390*
2	Set screw / Tornillo de fijación	RP50002
3	Handle / Llave	RP13466*
4	Cap / Tapa	RP80132*
5	Bonnet / Bonete	RP70242
6	Screw / Tornillo	RP50015
7	Cartridge / Cartucho	RP20044
8	Aerator / Aireado	RP30245*
9	Flange / Brida	RP80548*
10	Escutcheon / Placa de la cubierta	RP80549*
11	Gasket / Junta	RP80550
12	Rubber washer / Arandela de goma	RP64008
13	Metal washer / Arandela metálica	RP64009
14	Lock nut / Tuerca de bloqueo	RP56111
15	Pop-up assembly / Ensamblaje emergente	RP40319*

\* Specify Finish  
\* Especificque el Acabado



# Product Spec Sheet

TEL: 855-806-0688

FAX: 845-350-4043

Visit Our Web Site : [www.plumb4orce.com](http://www.plumb4orce.com)