



WAVE Wall Mounted Bathtub Spout

ROHL Modern Bath

WA24

FEATURES

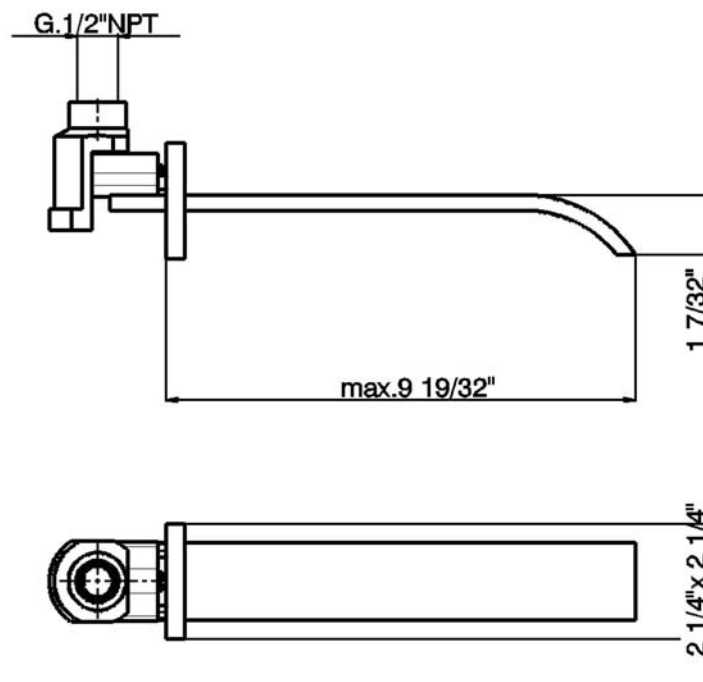
- Made of solid brass
- 1/2" NPT inlet
- 8 3/4" to 9 11/32" spout reach
- Polished Nickel not available
- Spout connection requires special rough fitting to be installed before the finished wall is completed. Spout connection and rough for wall valves are an integrated assembly. **Do not set finish wall until the rough assembly is installed.**

COLORS/FINISHES

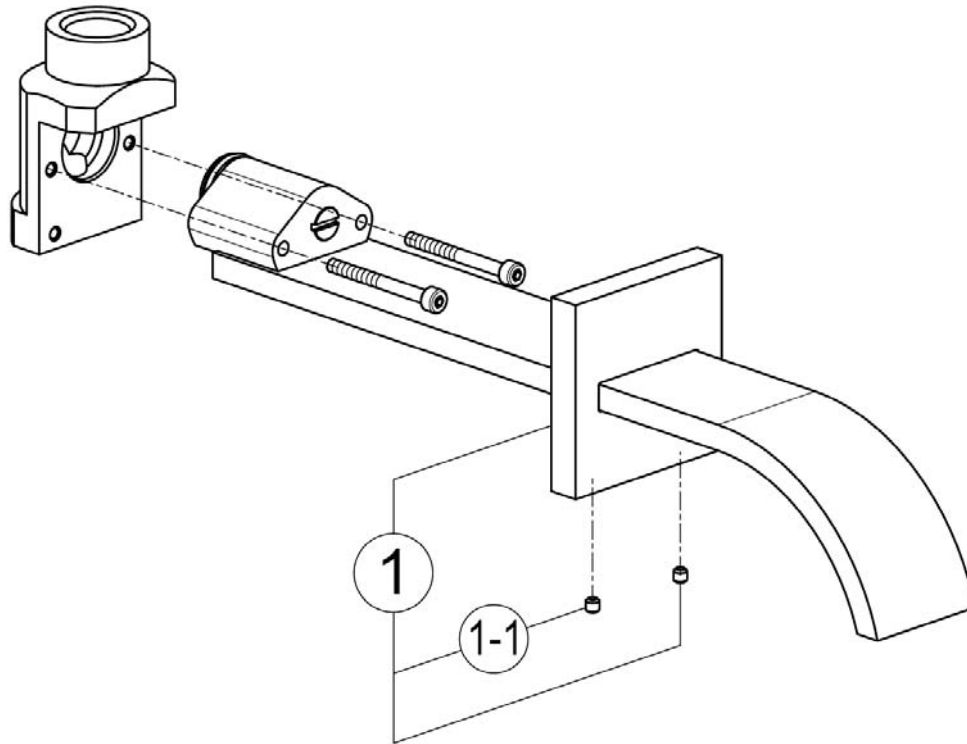
- Polished Chrome
- Satin Nickel

WARRANTY

- Limited Lifetime



WA24 Spare Parts



POS.	Description	Code
1	Escutcheon for built-in spout	ZZ 94946 0
1-1	Screw stainless steel M.4x4	ZZ 93328 0