

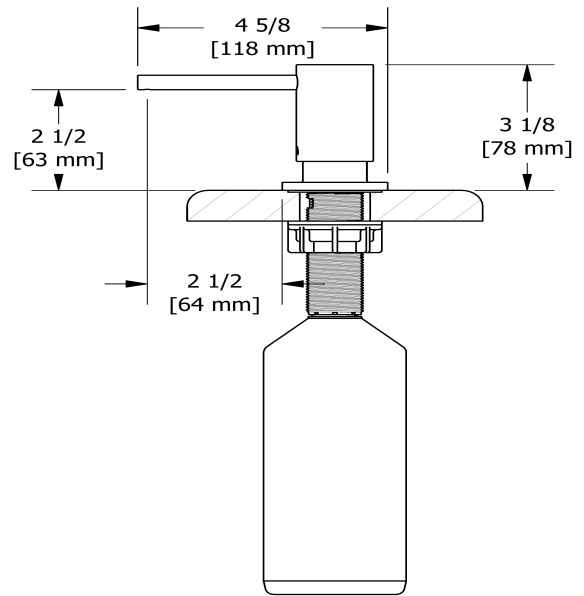
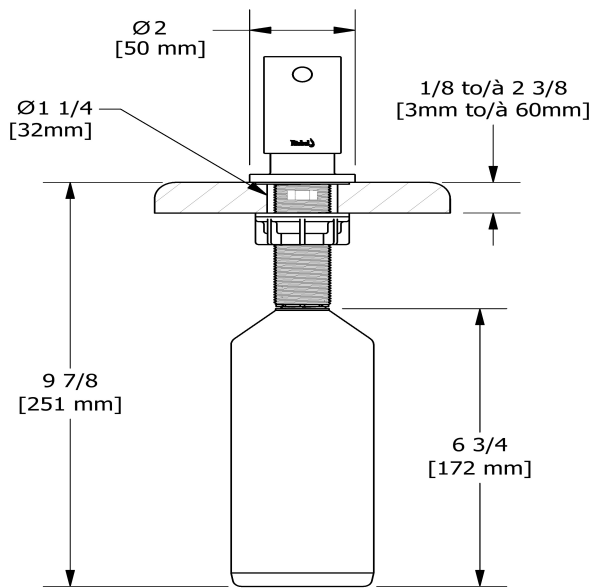


Specifications

Descriptions

- Filling from the top
- Brass

Soap dispenser, modern
SD8



Sizes, models and finishes may differ from those presented.

Warranty

7KLV 5LREHO ,QF SURGXFW \RX KDYH SXUFKDVHG FDUULHV D /LPLWHG /LIHWLPH :DUUDQW\ RQ W IURP WKH LQLWLD SXUFKDVH GDWH DJDLQW DDO PDQXIDFWXULQJ GHIHFWV \$OO RWKHU ILQL HOHFWURQLF SDUWV DUH FRYHUHG E\ D \HDU OLPLWHG ZDUUDQW\

Customer & D U H

3KRQH _ (PDLO FXVWRPHUFDUH#KRXVHRIURKO FRP _ :HEVLWH KRXVHRIURKO FRP VX

&RQVXOW \RXU ORFDO +RXVH RI 5RKO VKRZURRP IRU DGGLWLRQDO LQIRUPDWLRQ DQG VSHFL¿FDWLRQV)RU FRPS