

Features

- Metal construction.
- One-piece, self-contained ceramic disc valve allows both volume and temperature control.
- Temperature memory allows faucet to be turned on and off at and temperature setting.
- 4-3/16" (107 mm) spout reach.
- Stationary spout.
- Metal throat plate.
- For 4" (102 mm) centers.
- Flexible connections.
- Less drain and lift rod.
- Red/blue indexing.
- Vandal-resistant aerator.
- 0.5 gal/min (1.9 l/min) maximum flow rate [max at 60 psi (4.14 bar)].

Optional Products/Accessories

1160594 .35 gpm Aerator, Large



ADA CSA B651 OBC

Codes/Standards

ASME A112.18.1/CSA B125.1

NSF/ANSI 61

NSF/ANSI 372

All applicable US Federal and State material regulations

DOE - Energy Policy Act 1992

EPA WaterSense®

California Energy Commission (CEC)

ADA

ICC/ANSI A117.1

CSA B651

OBC

KOHLER® Faucet Lifetime Limited Warranty

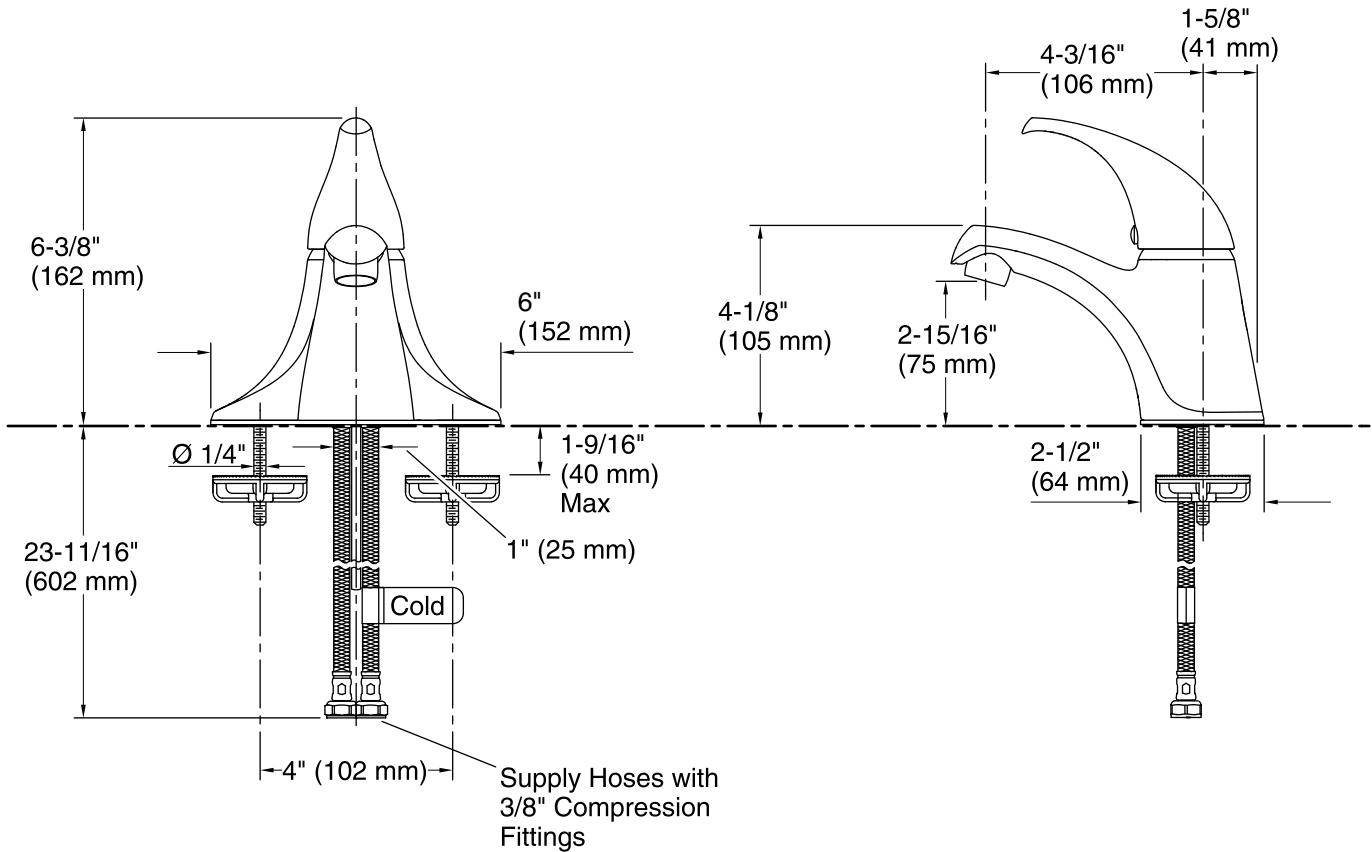
See website for detailed warranty information.

Available Colors/Finishes

Color tiles intended for reference only.

Color Code Description

■ CP Polished Chrome



Technical Information

All product dimensions are nominal.

Faucet:

Flow rate: 0.5 gal/min (1.9 l/min)
 Pressure: 60 psi (4.1 bar)
 Valve body: Plastic
 Drain with overflow: Yes
 Drain tailpiece included: Yes

Spout:

Spout reach: 4-3/16" (107 mm)
 Handle clearance: 3-3/8" (86 mm)

Notes

Install this product according to the installation guide.
 ADA, OBC, CSA B651 compliant when installed to the specific requirements of these regulations.