

## For Residential and Commercial Applications

Job Name \_\_\_\_\_

Contractor \_\_\_\_\_

Job Location \_\_\_\_\_

Approval \_\_\_\_\_

Engineer \_\_\_\_\_

Contractor's P.O. No. \_\_\_\_\_

Approval \_\_\_\_\_

Representative \_\_\_\_\_

# LEAD FREE\*

## Series LF301 Dielectric Unions

Sizes: 1/2" – 2" Female x Solder

Series LF301 dielectric unions feature a female iron pipe thread to solder connection. These unions are designed between pipe made from dissimilar metals to prevent accelerated corrosion and deterioration in the piping system due to galvanic and stray current. The LF301 features Lead Free\* construction to comply with Lead Free\* installation requirements.

### Features

- Female iron pipe thread to solder connection
- Designed and manufactured to the highest quality standards
- Rated to 250°F (121°C) at 250psi (17.2 bar)

### Specifications

The dielectric union shall be constructed using Lead Free\* materials. Lead Free\* dielectric unions shall comply with state codes and standards, where applicable, requiring reduced lead content. The dielectric union shall be a Watts Series LF301.

### Pressure/Temperature

Maximum Operating Pressure: 250psi WOG (17.2 bar)

Maximum Operating Temperature

EPDM Gasket: -20°F to 250°F (-7°C to 121°C)

### Approvals

Threads: Comply to ANSI B.1.20.1

Solder Joint: Complies to ANSI B 16.18

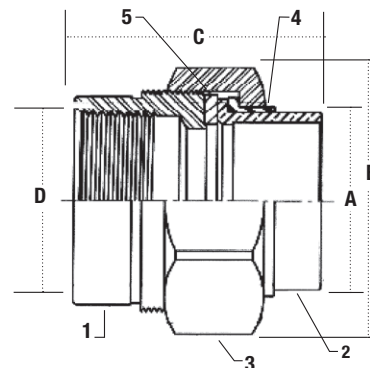
### NOTICE

The information contained herein is not intended to replace the full product installation and safety information available or the experience of a trained product installer. You are required to thoroughly read all installation instructions and product safety information before beginning the installation of this product.

\*The wetted surface of this product contacted by consumable water contains less than 0.25% of lead by weight.



LF301



### Materials

NO.	PART	MATERIAL
1	Body	Forged Steel A105
2	Tailpiece	Lead Free* Forged Brass
3	Union Nut	Forged Steel A105
4	Insulator	Plastic
5	Gasket	EPDM

### Dimensions — Weights

SIZE	DIMENSIONS						WEIGHTS		
	A		B		C		D	oz.	gm
in.	in.	mm	in.	mm	in.	mm			
1/2"	5/8	16	1 1/8	41	1 13/16	46	1/2 NPT	6	170
3/4"	7/8	22	1 7/8	47	2 1/16	52	3/4 NPT	6.7	190
1"	1 1/8	29	2 1/8	54	2 1/4	62	1 NPT	9.3	264
1 1/4"	1 3/8	35	2 9/16	65	2 7/16	63	1 1/4 NPT	13.3	377
1 1/2"	1 5/8	41	2 15/16	75	2 1/2	63	1 1/2 NPT	13.3	377
2"	2 1/8	54	3 3/4	96	2 15/16	75	2 NPT	34.7	984

Watts product specifications in U.S. customary units and metric are approximate and are provided for reference only. For precise measurements, please contact Watts Technical Service. Watts reserves the right to change or modify product design, construction, specifications, or materials without prior notice and without incurring any obligation to make such changes and modifications on Watts products previously or subsequently sold.

USA: T: (978) 689-6066 • F: (978) 975-8350 • Watts.com

Canada: T: (905) 332-4090 • F: (905) 332-7068 • Watts.ca

Latin America: T: (52) 81-1001-8600 • Watts.com