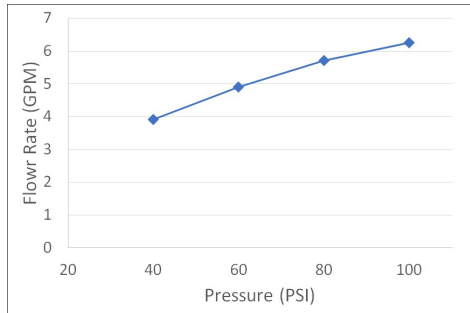




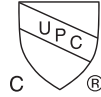
**Single Handle Tub/Shower Pressure Balancing Valve**

- Combo CXC and IPS Inlet and Outlet
- Pressure Balancing Cartridge Ships with Trims
- Brass Inlet Stops With Backflow Preventers
- Stainless Steel Mounting Bracket
- Test Cap Allows Pressure Testing 150 PSI Max
- Square Mud Guard With Leveler Allows Right Angle Cuts
- Thin or Thick Wall Mounting
- Back to Back Installation

V-2300B Flow Rate (GPM) Vs Pressure (PSI) For Tub Port\*



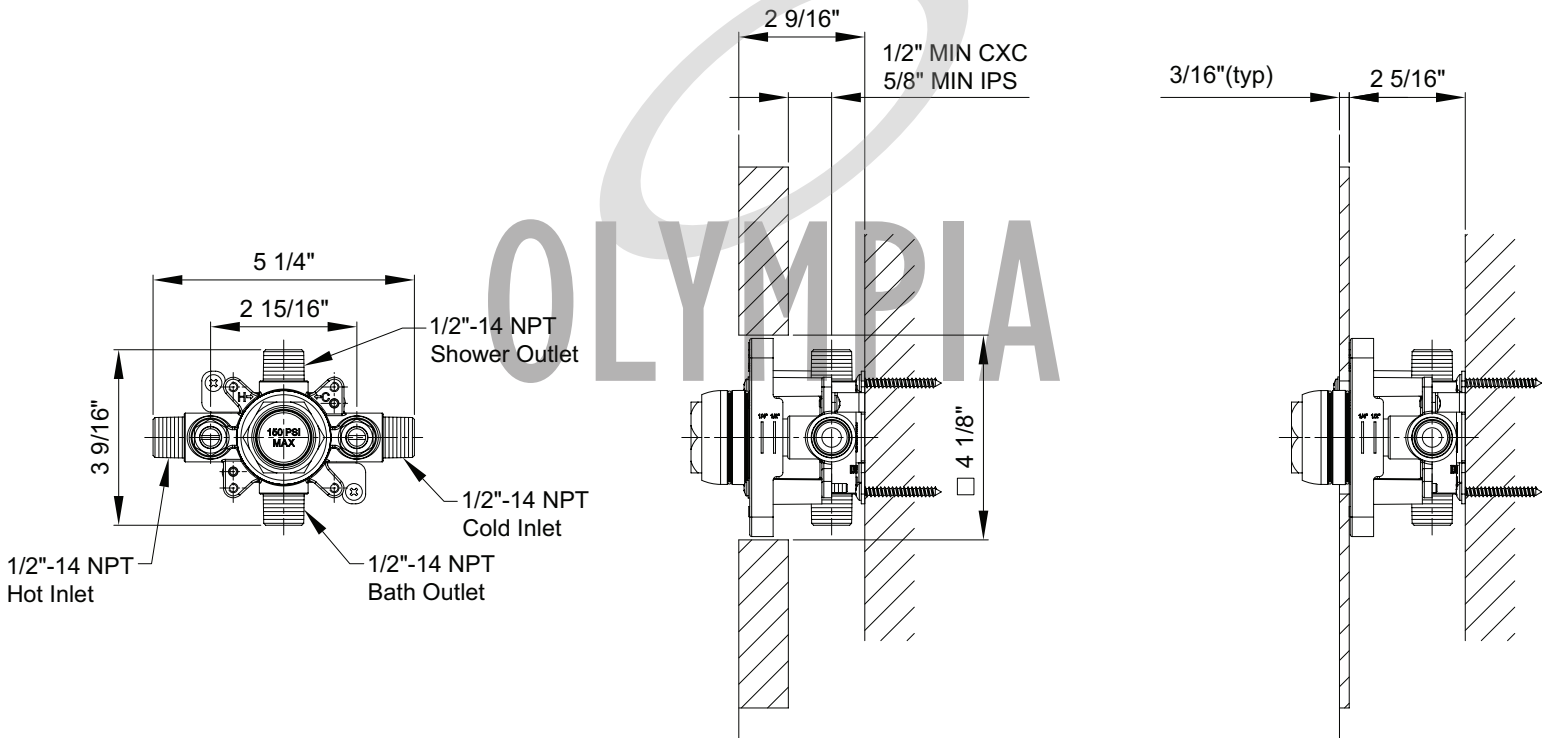
\*Note: This information is provided for reference only. Actual Flow Rate may vary depending on installation and inlet pressures.



Olympia products are engineered and manufactured to meet the following standards and codes :  
ASME A112.18.1-2018/CSA B125.1-18  
IAPMO LISTED

Note: V-23XX and V-24XX series valves can be tested when test cap installed with air (150 PSI) or water (150 PSI).

Note: Cartridge operational at pressures 20 PSI to 100 PSI.



THICK WALL

THIN WALL