

### PRODUCT SPECIFICATIONS

Explore™ Pull-down Spray Kitchen Faucet. Faucet has a flow rate of 1.5 GPM, and is made of Brass material, with a Ceramic Disc valve. Faucet requires 1 faucet holes.

<b>Mounting Type:</b>	Deck Mount
<b>Special Features:</b>	Low Flow Solid brass waterway construction 1.5 GPM flow regulator installed with 2.2 GPM flow regulator included Removable cartridge Forward only handles Quick connect side spray fittings
<b>Spray Type:</b>	Pull Down
<b>Finish:</b>	Antique Steel, Chrome, Lustrous Steel
<b>Handle Type:</b>	Lever Handle
<b>Deck Clearance:</b>	9-1/2"
<b>Spout Reach:</b>	9-1/4"
<b>Spout Height:</b>	17-7/8"
<b>Hole Drillings:</b>	1
<b>Material:</b>	Brass
<b>Valve Type:</b>	Ceramic Disc
<b>Valve Connection:</b>	1/2"-14 NPSM
<b>Flow Rate:</b>	1.5 GPM
<b>Faucet Hole Size (min):</b>	1-3/8"
<b>Spout Swing Rotation:</b>	360°
<b>Spout Type:</b>	Pull-down Spray



AMERICAN PRIDE. A LIFETIME TRADITION. Like your family, the Elkay family has values and traditions that endure. For almost a century, Elkay has been a family-owned and operated company, providing thousands of jobs that support our families and communities.



**Product Compliance:** ADA & ICC A117.1  
ASME A112.18.1/CSA B125.1  
NSF 61  
NSF 372 (lead free)

[Clean and Care Manual \(PDF\)](#)  
[Installation Instructions \(PDF\)](#)  
[Limited Lifetime Warranty \(PDF\)](#)

### OPTIONAL ACCESSORIES

<b>Optional Accessory #1</b>	LK105
<b>Optional Accessory #2</b>	LK130
<b>Optional Accessory #3</b>	LK330



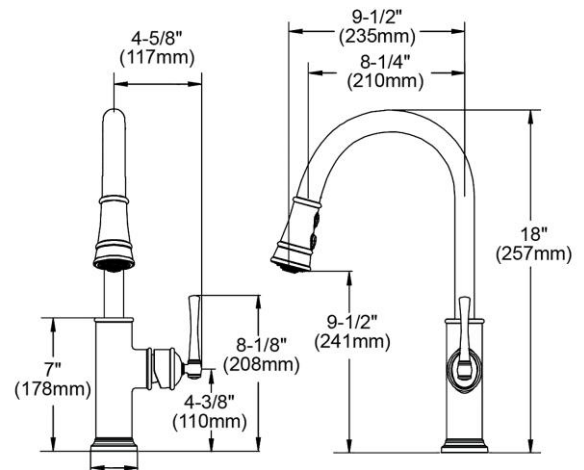
Antique Steel (AS)



Chrome (CR)



Lustrous Steel (LS)



PART: \_\_\_\_\_ QTY: \_\_\_\_\_

PROJECT: \_\_\_\_\_

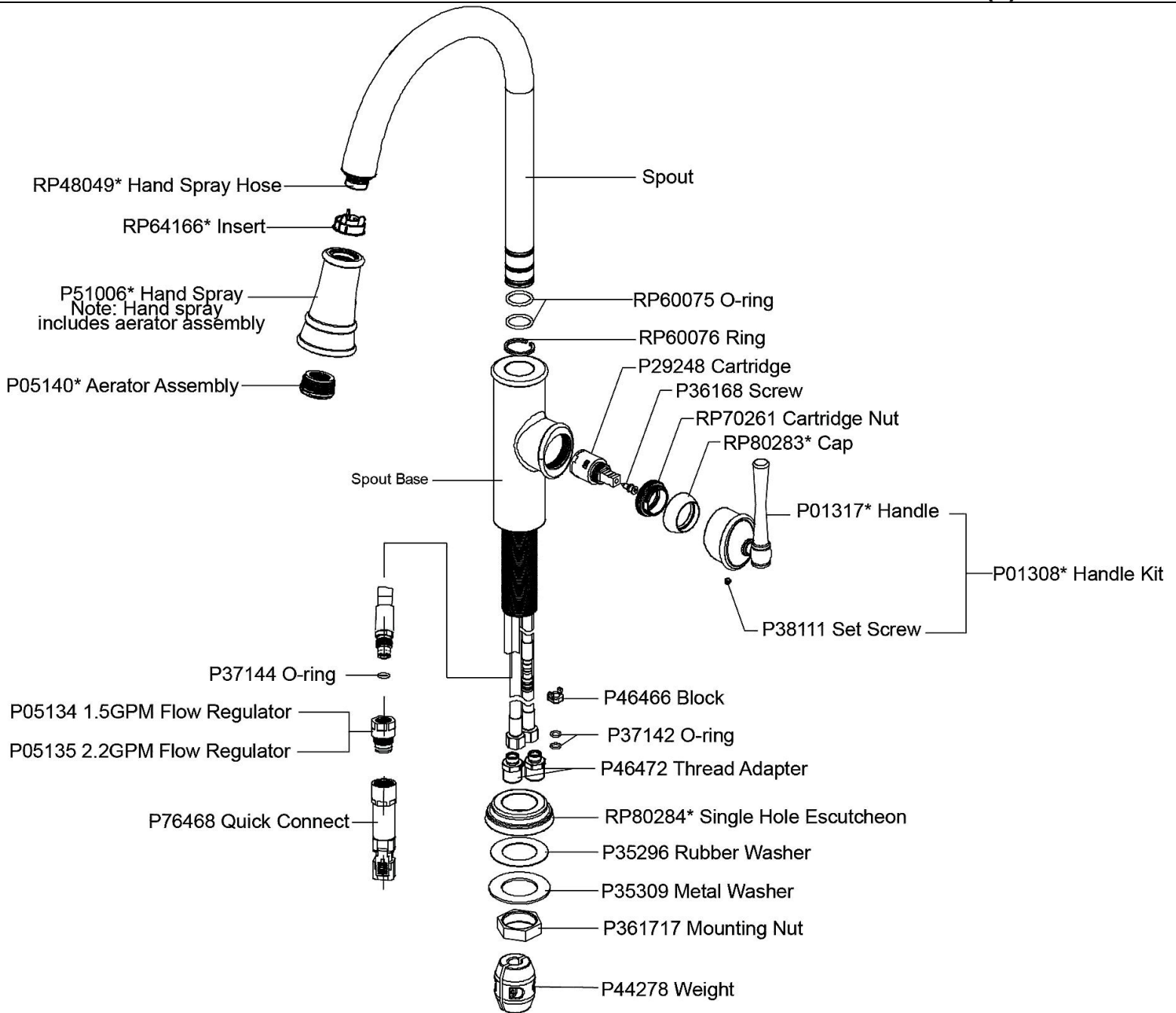
CONTACT: \_\_\_\_\_

DATE: \_\_\_\_\_

NOTES: \_\_\_\_\_

APPROVAL: \_\_\_\_\_

In keeping with our policy of continuing product improvement, Elkay reserves the right to change product specifications without notice. Please visit [elkay.com](http://elkay.com) for the most current version of Elkay product specification sheets. This specification describes an Elkay product with design, quality, and functional benefits to the user. When making a comparison of other producers' offerings, be certain these features are not overlooked.



In keeping with our policy of continuing product improvement, Elkay reserves the right to change product specifications without notice. Please visit [elkay.com](http://elkay.com) for the most current version of Elkay product specification sheets. This specification describes an Elkay product with design, quality, and functional benefits to the user. When making a comparison of other producers' offerings, be certain these features are not overlooked.