



### Features

- 60"L x 36"W x 20"H
- A builder favorite designed for quick and easy installation
- Three-wall alcove installation
- Constructed of acrylic
- Designed for one-person bathing
- Includes integral flange to simplify installation and prevent the possibility of water damage behind the wall
- Textured bottom surface

### Additional Hydrotherapy Options

- Soaking Bath - 1242-L
- Soaking Bath + Bask heated surface - 1242-LW
- BubbleMassage air bath - 1239-GLF
- BubbleMassage air bath + Bask heated surface - 1239-GLW
- VibrAcoustic - 1239-VBL
- VibrAcoustic + Bask heated surface - 1239-VBLW
- Whirlpool - 1239-L
- Whirlpool + heater - 1239-LH
- Whirlpool + Bask heated surface - 1239-LW

### Recommended Products/Accessories

- K-1278 Removable Apron
- K-1491 Bath/Whirlpool Pillow
- K-7161-AF Bath Drain
- K-24916 Wireless Music Kit
- K-37380 30" Rough-in Cable Bath Drain
- K-37383 30" Rough-in Cable Bath Drain
- K-37386 rough-in cable drain, PVC, 30" cable



### Codes/Standards






CSA B45.5/IAPMO Z124  
ASTM E162  
ASTM E662  
Greenguard UL 2818 - Gold

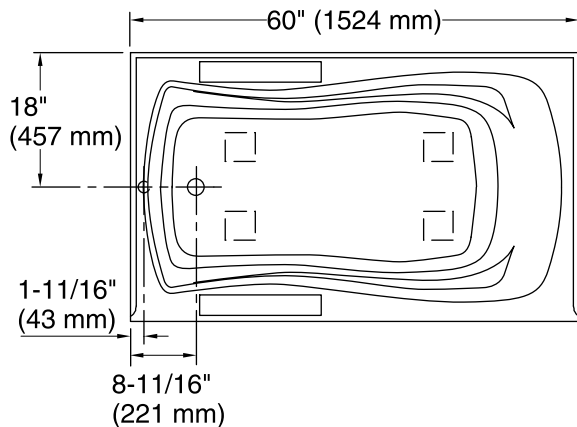
### KOHLER® Plastic Baths and Receptors Lifetime Limited Warranty

See website for detailed warranty information.

### Available Colors/Finishes

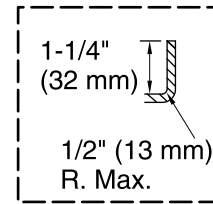
*Color tiles intended for reference only.*

Color	Code	Description
	0	White
	96	Biscuit
	47	Almond
	NY	Dune
	G9	Sandbar

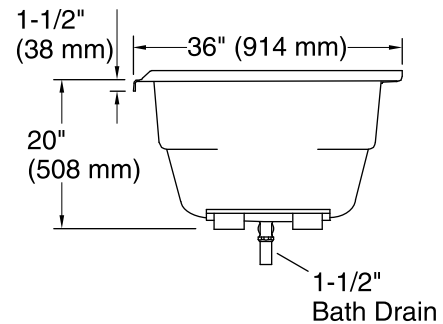
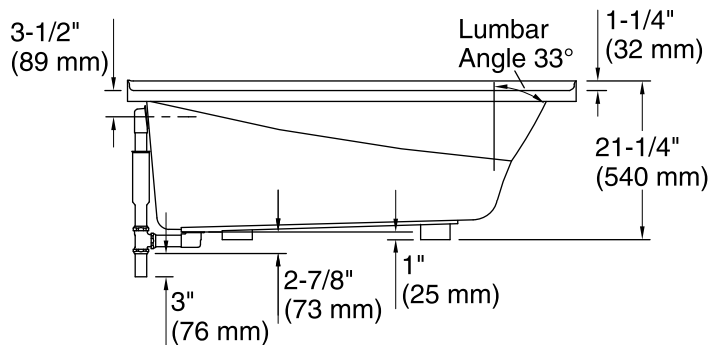


No change in measurements if connected with drain illustrated. (K-7161-AF)

 Recommended Faucet Location



**Integral Flange Detail**



## Technical Information

All product dimensions are nominal.

Installation:	Three-wall alcove
Drain location:	Left
Basin area, bottom:	46" x 24" (1168 mm x 610 mm)
Basin area, top:	54" x 27" (1372 mm x 686 mm)
Weight:	62 lbs (28.1 kg)
Minimum floor load:	41 lbs/ft <sup>2</sup> (200.2 kg/m <sup>2</sup> )
Water depth:	14" (356 mm)
Water capacity:	63 gal (238.5 L)
Minimum flat for door:	2" (50 mm)

## Notes

Measure your actual product for rough-in details. Install this product according to the installation instructions.

The hot water supply should be 70% of the capacity of the bath or greater. Installations will vary.

If installing a rim-mount faucet, make sure there is no interference above or below the deck before drilling any holes.