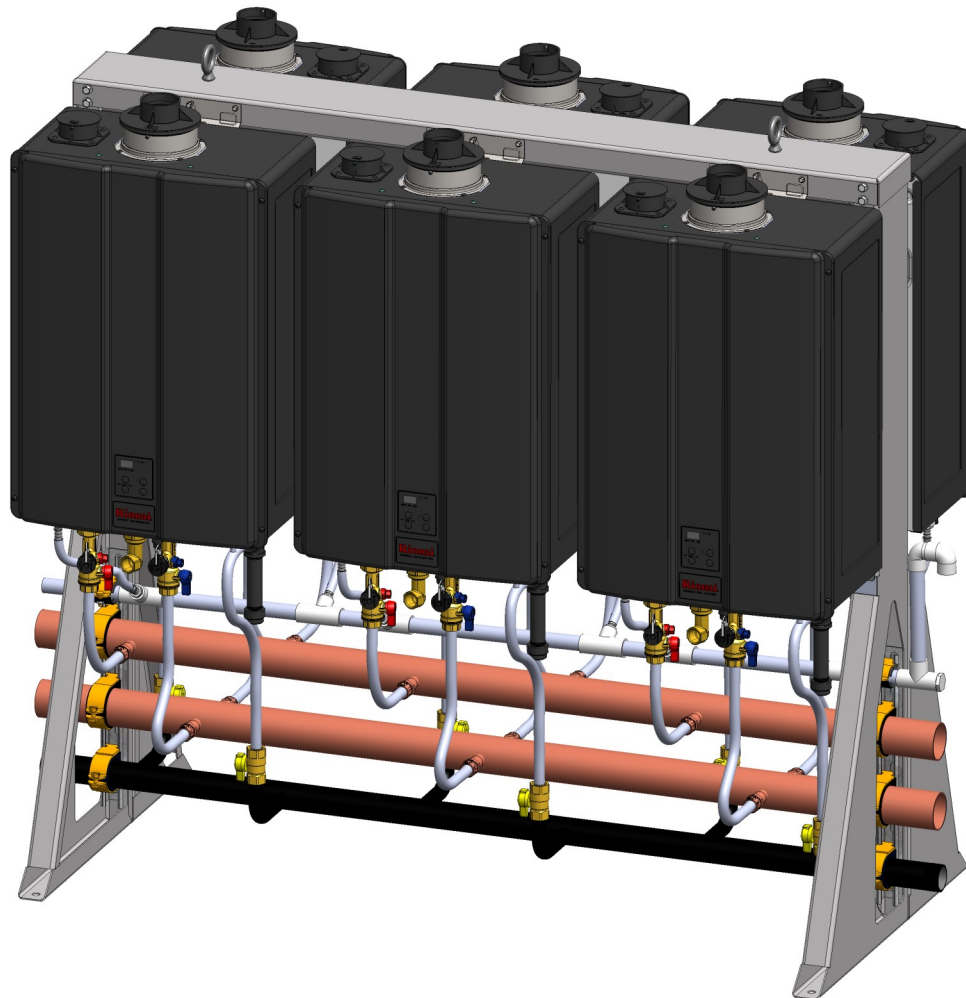


Rinnai®

SPECIFICATIONS

Tankless Rack System



Free-Standing Rack with Six Rinnai Tankless Water Heaters

For complete details on commercial water heating solutions and maintenance services,
call 866-383-0707 or email commercialservices@rinnai.us.

Configurations

TRS configurations and part numbers are listed in the following tables.

WALL-HANGING RACKS



CU Series			
Part No.*	Rack type	Configuration	Illustration
TRW02CUiN	2-unit interior wall-hanging rack, NG		
TRW02CUeN	2-unit exterior wall-hanging rack, NG		
TRW02CUiP	2-unit interior wall-hanging rack, LP		
TRW02CUeP	2-unit exterior wall-hanging rack, LP		
TRW23CUiN ²	2-unit interior wall-hanging rack, NG		
TRW23CUeN ²	2-unit exterior wall-hanging rack, NG		
TRW23CUiP ²	2-unit interior wall-hanging rack, LP		
TRW23CUeP ²	2-unit exterior wall-hanging rack, LP		
TRW03CUiN	3-unit interior wall-hanging rack, NG		
TRW03CUeN	3-unit exterior wall-hanging rack, NG		
TRW03CUiP	3-unit interior wall-hanging rack, LP		
TRW03CUeP	3-unit exterior wall-hanging rack, LP		
TRX02CUiN	2-unit interior wall-hanging rack, NG		
TRX02CUeN	2-unit exterior wall-hanging rack, NG		

SE Series			
Part No.*	Rack type	Configuration	Illustration
TRW02SEiN ²	2-unit interior wall-hanging rack, NG RUC		
TRW02SEeN ²	2-unit exterior wall-hanging rack, NG RUC		
TRW02SEiP ²	2-unit interior wall-hanging rack, LP RUC		
TRW02SEeP ²	2-unit exterior wall-hanging rack, LP RUC		





SE+ Series Featuring ThermaCirc360™		ThermaCirc360™ Wait less. Waste less.	
(Continued on next page)			
Part No.*	Rack type	Configuration	Illustration
TRW02STiN	2-unit interior wall-hanging rack, NG		
TRW02STeN	2-unit exterior wall-hanging rack, NG		
TRW02STiP	2-unit interior wall-hanging rack, LP		
TRW02STeP	2-unit exterior wall-hanging rack, LP		

* Part No. Legend: TR = Tankless Rack; W = Wall Hanging; S = Stand Alone; IL = Inline; ILW = Inline Wall Mount; 2/3/4/5/6 = Number of Water Heaters; i/e = Interior/Exterior; NG/LP = Natural Gas/Liquid Propane

² This configuration is available only as a custom, made-to-order (MTO) solution with extended lead times.

SE+ Series Featuring ThermaCirc360™ (Continued)			ThermaCirc360 Wait less. Waste less.
Part No.*	Rack type	Configuration	Illustration
TRW03STiN	3-unit interior wall-hanging rack, NG		
TRW03STeN	3-unit exterior wall-hanging rack, NG		
TRW03STiP	3-unit interior wall-hanging rack, LP		
TRW03STeP	3-unit exterior wall-hanging rack, LP		


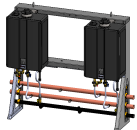
* Part No. Legend: TR = Tankless Rack; W = Wall Hanging; S = Stand Alone; IL = Inline; ILW = Inline Wall Mount; 2/3/4/5/6 = Number of Water Heaters; i/e = Interior/Exterior; NG/LP = Natural Gas/Liquid Propane

HE+ Series			
Part No.*	Rack type	Configuration	Illustration
TRW02HEiN ²	2-unit interior wall-hanging rack, NG ^[1]		
TRW02HEXiN ²	2-unit interior wall-hanging rack, NG ^[2]		
TRW02HEeN ²	2-unit exterior wall-hanging rack, NG		
TRW02HEiP ²	2-unit interior wall-hanging rack, LP		
TRW02HEeP ²	2-unit exterior wall-hanging rack, LP		
TRW03HEiN ²	3-unit interior wall-hanging rack, NG ^[1]		
TRW03HEXiN ²	3-unit interior wall-hanging rack, NG ^[2]		
TRW03HEeN ²	3-unit exterior wall-hanging rack, NG		
TRW03HEiP ²	3-unit interior wall-hanging rack, LP		
TRW03HEeP ²	3-unit exterior wall-hanging rack, LP		

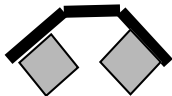

^[1] For use with Rinnai RL94i Tankless Water Heaters.

^[2] For use with Rinnai RLX94i Tankless Water Heaters.

WALL-MOUNT RACKS

Part No.*	Rack type	Configuration	Illustration
TRS23ILWCUiN ²	2-unit interior wall-mount rack, NG		
TRS23ILWCUeN ²	2-unit exterior wall-mount rack, NG		
TRS23ILWCUiP ²	2-unit interior wall-mount rack, LP		
TRS23ILWCUeP ²	2-unit exterior wall-mount rack, LP		

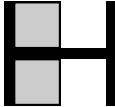









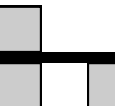
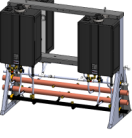
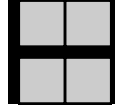

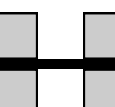
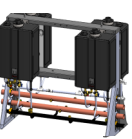
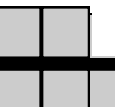

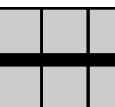

CORNER-HANGING RACKS

Part No.*	Rack type	Configuration	Illustration
TRC02CUiN ²	2-unit interior corner-hanging rack, NG		
TRC02CUiP ²	2-unit interior corner-hanging rack, LP		

* Part No. Legend: TR = Tankless Rack; W = Wall Hanging; S = Stand Alone; IL = Inline; ILW = Inline Wall Mount; 2/3/4/5/6 = Number of Water Heaters; i/e = Interior/Exterior; NG/LP = Natural Gas/Liquid Propane

² This configuration is available only as a custom, made-to-order (MTO) solution with extended lead times.

FREE-STANDING RACKS

Part No.*	Rack type	Configuration	Illustration
TRS02CUiN ²	2-unit interior free-standing rack, NG	Back to Back 	
TRS02CUeN ²	2-unit exterior free-standing rack, NG		
TRS02CUiP ²	2-unit interior free-standing rack, LP		
TRS02CUeP ²	2-unit exterior free-standing rack, LP		
TRS02ILCUiN	2-unit INLINE interior free-standing rack, NG		
TRS02ILCUeN	2-unit INLINE exterior free-standing rack, NG		
TRS02ILCUiP	2-unit INLINE interior free-standing rack, LP		
TRS02ILCUeP	2-unit INLINE exterior free-standing rack, LP		
TRS23ILCUiN ²	2-unit INLINE interior free-standing rack, NG		
TRS23ILCUeN ²	2-unit INLINE exterior free-standing rack, NG		
TRS23ILCUiP ²	2-unit INLINE interior free-standing rack, LP		
TRS23ILCUeP ²	2-unit INLINE exterior free-standing rack, LP		
TRS03ILCUiN	3-unit INLINE interior free-standing rack, NG		
TRS03ILCUeN	3-unit INLINE exterior free-standing rack, NG		
TRS03ILCUiP	3-unit INLINE interior free-standing rack, LP		
TRS03ILCUeP	3-unit INLINE exterior free-standing rack, LP		
TRS03CUiN	3-unit interior free-standing rack, NG		
TRS03CUeN	3-unit exterior free-standing rack, NG		
TRS03CUiP	3-unit interior free-standing rack, LP		
TRS03CUeP	3-unit exterior free-standing rack, LP		
TRS36CUiN ²	3-unit interior free-standing rack, NG		
TRS36CUeN ²	3-unit exterior free-standing rack, NG		
TRS36CUiP ²	3-unit interior free-standing rack, LP		
TRS36CUeP ²	3-unit exterior free-standing rack, LP		
TRS04CUiN	4-unit interior free-standing rack, NG		
TRS04CUeN	4-unit exterior free-standing rack, NG		
TRS04CUiP	4-unit interior free-standing rack, LP		
TRS04CUeP	4-unit exterior free-standing rack, LP		
TRS46CUiN ²	4-unit interior free-standing rack, NG		
TRS46CUeN ²	4-unit exterior free-standing rack, NG		
TRS46CUiP ²	4-unit interior free-standing rack, LP		
TRS46CUeP ²	4-unit exterior free-standing rack, LP		
TRS05CUiN	5-unit interior free-standing rack, NG		
TRS05CUeN	5-unit exterior free-standing rack, NG		
TRS05CUiP	5-unit interior free-standing rack, LP		
TRS05CUeP	5-unit exterior free-standing rack, LP		
TRS06CUiN	6-unit interior free-standing rack, NG		
TRS06CUeN	6-unit exterior free-standing rack, NG		
TRS06CUiP	6-unit interior free-standing rack, LP		
TRS06CUeP	6-unit exterior free-standing rack, LP		

* Part No. Legend: TR = Tankless Rack; W = Wall Hanging; S = Stand Alone; IL = Inline; ILW = Inline Wall Mount; 2/3/4/5/6 = Number of Water Heaters; i/e = Interior/Exterior; NG/LP = Natural Gas/Liquid Propane

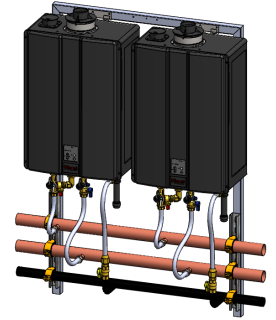
² This configuration is available only as a custom, made-to-order (MTO) solution with extended lead times.

Specifications

WALL-HANGING RACKS

Available Configurations

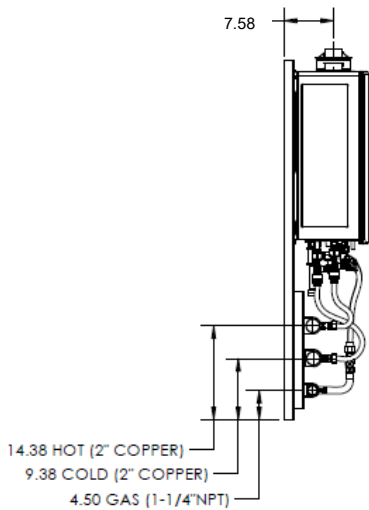
- 2-Units
- 3-Units



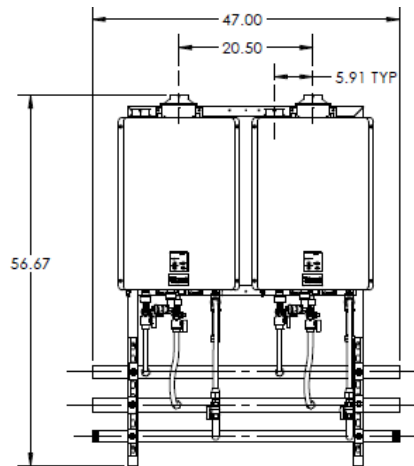
CU Series

2-Unit
Wall-Hanging Frame

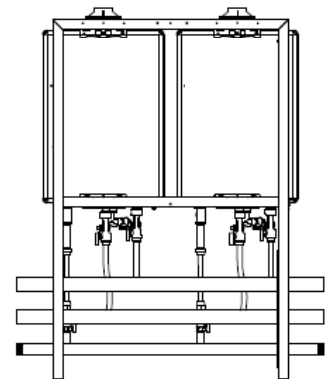
LEFT



FRONT



BACK

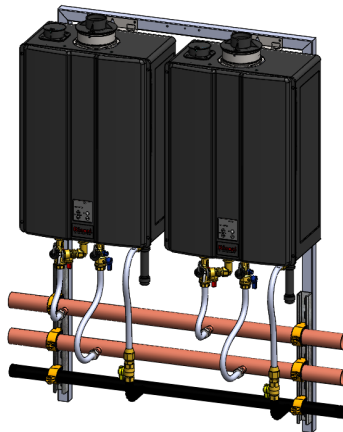


Model	Configuration	Illustration
TRW02CU		

CU Series 2-Unit Wall-Hanging Frame (Continued)

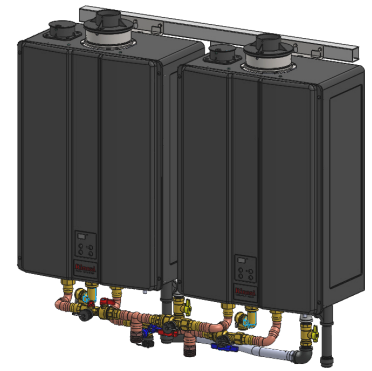
Model	TRW02CUi	TRWCU02CUe
Water Heater Model	CU199i (NG/LP)	CU199e (NG/LP)
Crate Dimensions (HxLxD) - in	66 x 70 x 35	
Weight - Fully Assembled - lbs	170	169
Weight - Shipping (total) - lbs	380	379
Rack Frame - Specifications		
Frame Material	14 Gauge Hot Rolled Steel 1.5" Square Tube	16 Gauge Stainless Steel 1.5" Square Tube
Frame Finish	Powder Coat	Stainless
Color	Gray	Stainless
Water & Gas Connections		
Hot Water Trunk Line Diameter	2"	
Cold Water Trunk Line Diameter	2"	
Hot Water Trunk Line Material	Rigid Copper	
Cold Water Trunk Line Material	Rigid Copper	
Water Trunk Connection Type	2" Pipe	
Gas Trunk Line Diameter	1-1/4"	
Gas Trunk Connection Type	1-1/4" MNPT	
Gas Trunk Line Material	Sch 40 Steel	
Gas Branch Line Material	PVC Over CSST	
Electric Requirements		
Voltage	AC 120 Volts—60 Hz	
Maximum Current (Amperes)	8	
BTU and Flow Rates for C199i, CU199e (NG/LP)		
Number of Tankless Water Heaters	2	
Flow rate @ 70°F rise (gpm)	10.8	
Flow rate @ 100°F rise (gpm)	7.6	
Minimum input rate (Btuh)	15,200	
Maximum input rate (Btuh)	398,000	

TRW02CU



Available Configurations

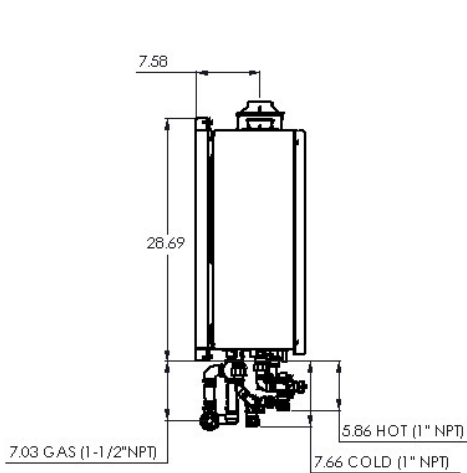
- 2-Units



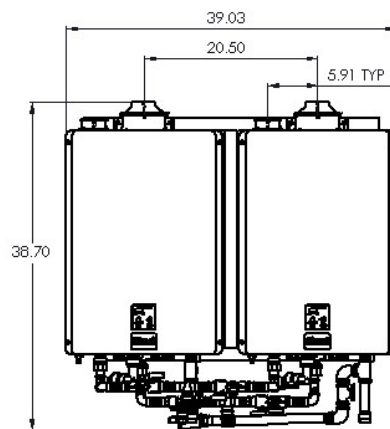
CU Series

2-Unit Compact Wall-Mount Frame

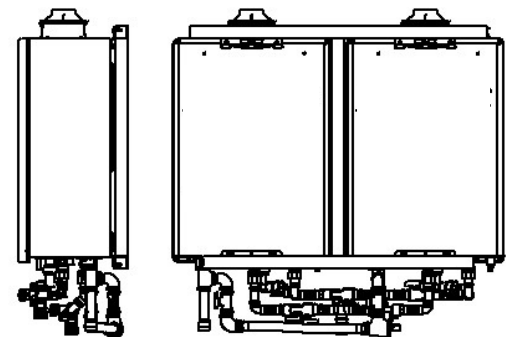
LEFT



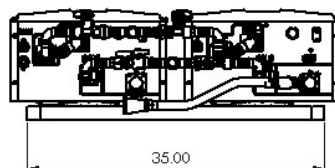
FRONT



BACK



BOTTOM



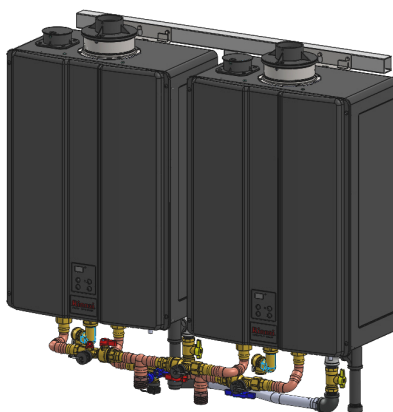
Model	Configuration	Illustration
TRX02CU		

CU Series 2-Unit Compact Wall-Mount Frame (Continued)

Model	TRX02CUi	TRX02CUe
Water Heater Model	CU199iN (1)	CU199eN (1)
Crate Dimensions (HxLxD) - in	46 x 42 x 48	
Weight - Fully Assembled - lbs	160	160
Weight - Shipping (3 components) - lbs	540	540
Rack Frame - Specifications		
Frame Material	14 Gauge Hot Rolled Steel 1.5 in. Square Tube	16 Gauge Stainless Steel 1.5 in. Square Tube
Frame Finish	Powder Coat	Stainless
Color	Gray	Stainless
Water & Gas Connections		
Hot Water Trunk Line Diameter	1 in.	
Cold Water Trunk Line Diameter	1 in.	
Hot Water Trunk Line Material	Rigid Copper	
Cold Water Trunk Line Material	Rigid Copper	
Water Trunk Connection Type	1 in. MNPT	
Gas Trunk Line Diameter	1-1/2 in.	
Gas Trunk Connection Type	1-1/2 in. MNPT	
Gas Trunk Line Material	Schedule 40 Steel	
Gas Branch Line Material	PVC Over CSST	
Electric Requirements		
Voltage	AC 120 Volts - 60 Hz	
Maximum Current (Amperes)	8	
BTU and Flow Rates for C199i, CU199e (NG/LP)		
Number of Tankless Water Heaters	2	
Flow rate @ 70°F rise (gpm)	10.8	
Flow rate @ 100°F rise (gpm)	7.6	
Minimum input rate (Btuh)	15,200	
Maximum input rate (Btuh)	398,000	
Accessories		
Propane Conversion Kit	Included	
Cascade Controls - REU-EZC-2	Pre-installed	
Offset Wall Bracket	Optional Accessory	
Free Standing Leg Kit	Optional Accessory	

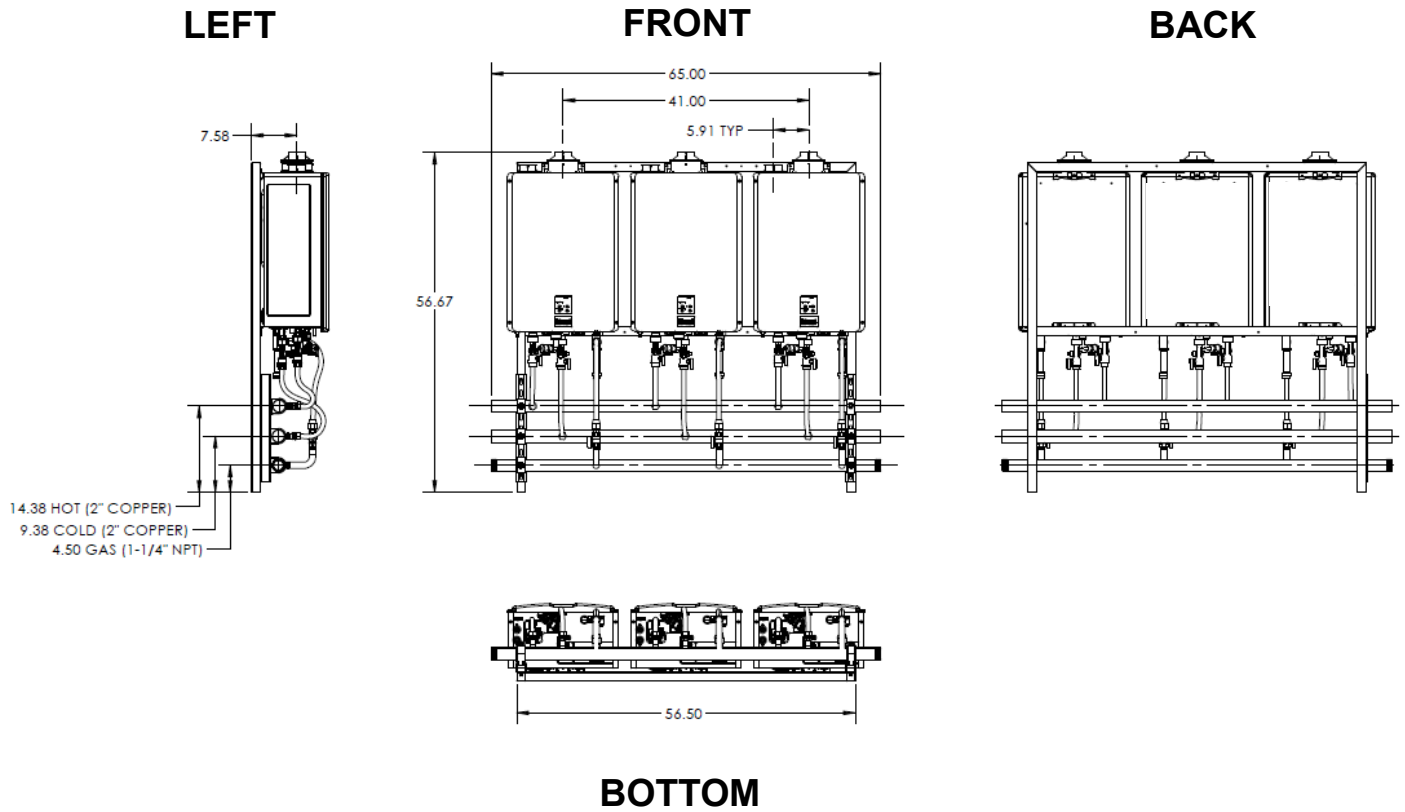
(1) Refer to the included conversion kit and instructions for converting to LP.

TRX02CU



CU Series

**3-Unit
Wall-Hanging Frame**



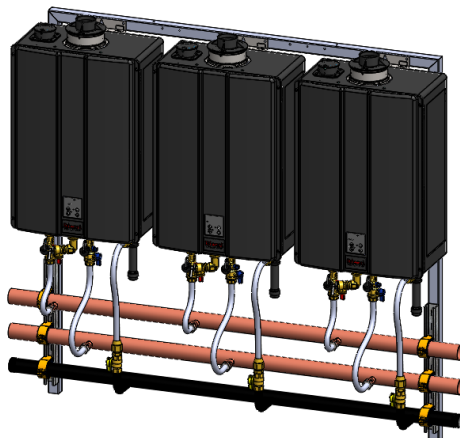
Model	Configuration	Illustration
TRW03CU		
TRW23CU ²		

² This configuration is available only as a custom, made-to-order (MTO) solution with extended lead times.

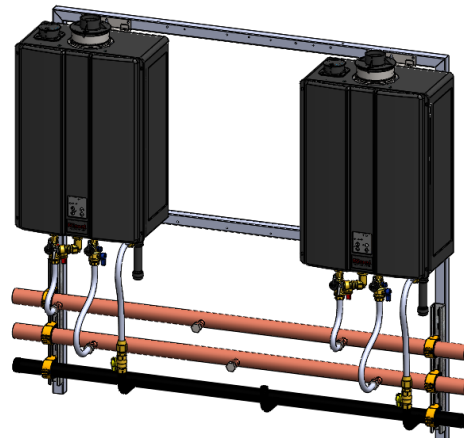
CU Series 3-Unit Wall-Hanging Frame (Continued)

Model	TRW03CUi	TRW03CUE	TRW23CUi	TRW23CUE
Water Heater Model	CU199i (NG/LP)	CU199e (NG/LP)	CU199i (NG/LP)	CU199e (NG/LP)
Crate Dimensions (HxLxD) - in	66 x 70 x 35		66 x 70 x 35	
Weight - Fully Assembled - lbs	248	244	186	183
Weight - Shipping (total) - lbs	469	465	407	402
Rack Frame - Specifications				
Frame Material	14 Gauge Hot Rolled Steel 1.5" Square Tube	16 Gauge Stainless Steel 1.5" Square Tube	14 Gauge Hot Rolled Steel 1.5" Square Tube	16 Gauge Stainless Steel 1.5" Square Tube
Frame Finish	Powder Coat	Stainless	Powder Coat	Stainless
Color	Gray	Stainless	Gray	Stainless
Water & Gas Connections				
Hot Water Trunk Line Diameter	2"			
Cold Water Trunk Line Diameter	2"			
Hot Water Trunk Line Material	Rigid Copper			
Cold Water Trunk Line Material	Rigid Copper			
Water Trunk Connection Type	2" PIPE			
Gas Trunk Line Diameter	1-1/4"			
Gas Trunk Connection Type	1-1/4" MNPT			
Gas Trunk Line Material	Sch 40 Steel			
Gas Branch Line Material	PVC Over CSST			
Electric Requirements				
Voltage	AC 120 Volts—60 Hz			
Maximum Current (Amperes)	12		8	
BTU and Flow Rates for CU199i, CU199e (NG/LP)				
Number of Tankless Water Heaters	3		2	
Flow rate @ 70°F rise (gpm)	16.2		10.8	
Flow rate @ 100°F rise (gpm)	11.4		7.6	
Minimum input rate (Btuh)	15,200		15,200	
Maximum input rate (Btuh)	597,000		398,000	

TRW03CU



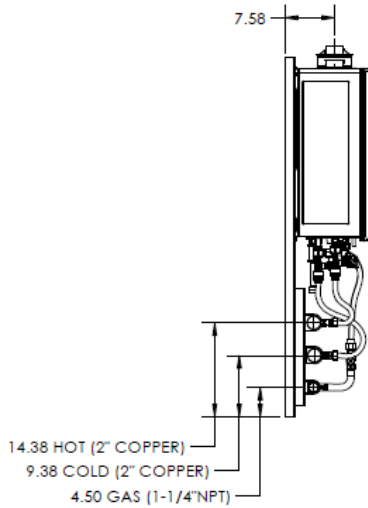
TRW23CU



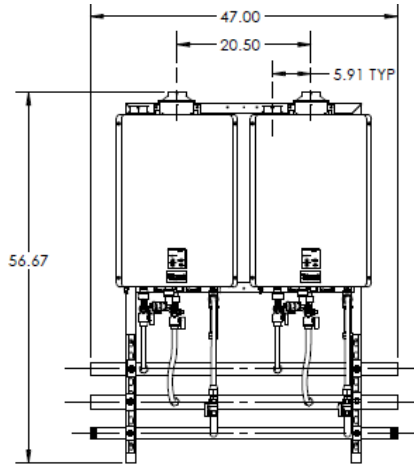
SE Series

2-Unit Wall-Hanging Frame

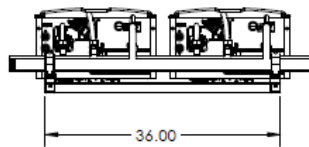
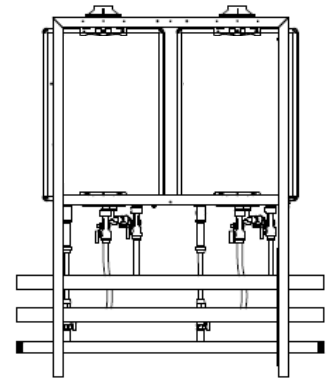
LEFT



FRONT



BACK



BOTTOM

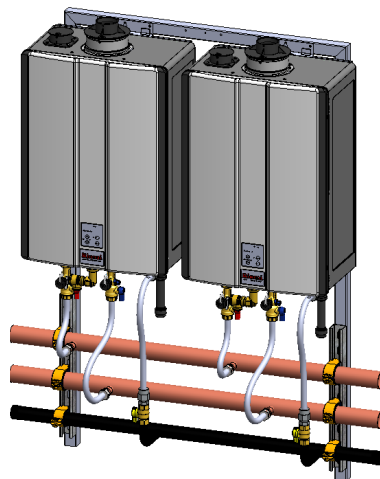
Model	Configuration	Illustration
TRW02SE ²		

² This configuration is available only as a custom, made-to-order (MTO) solution with extended lead times.

SE Series 2-Unit Wall-Hanging Frame (Continued)

Model	TRW02SEi	TRW02SEe
Water Heater Model	RU199i (NG/LP)	RU199e (NG/LP)
Crate Dimensions (HxLxD) - in	66 X 70 X 35	
Weight - Fully Assembled - lbs	170	169
Weight - Shipping (total) - lbs	391	390
Rack Frame - Specifications		
Frame Material	14 Gauge Hot Rolled Steel 1.5" Square Tube	16 Gauge Stainless Steel 1.5" Square Tube
Frame Finish	Powder Coat	Stainless
Color	Gray	Stainless
Water & Gas Connections		
Hot Water Trunk Line Diameter	2"	
Cold Water Trunk Line Diameter	2"	
Hot Water Trunk Line Material	Rigid Copper	
Cold Water Trunk Line Material	Rigid Copper	
Water Trunk Connection Type	2" PIPE	
Gas Trunk Line Diameter	1-1/4"	
Gas Trunk Connection Type	1-1/4" MNPT	
Gas Trunk Line Material	Sch 40 Steel	
Gas Branch Line Material	PVC Over CSST	
Electric Requirements		
Voltage	AC 120 Volts—60 Hz	
Maximum Current (Amperes)	8	
BTU and Flow Rates for RU199i, RU199e (NG/LP)		
Number of Tankless Water Heaters	2	
Flow rate @ 70°F rise (gpm)	10.8	
Flow rate @ 100°F rise (gpm)	7.6	
Minimum input rate (Btuh)	15,200	
Maximum input rate (Btuh)	398,000	

TRW02SE

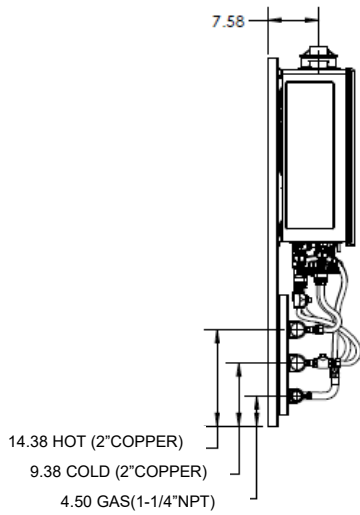


SE+ Series Featuring ThermaCirc360™

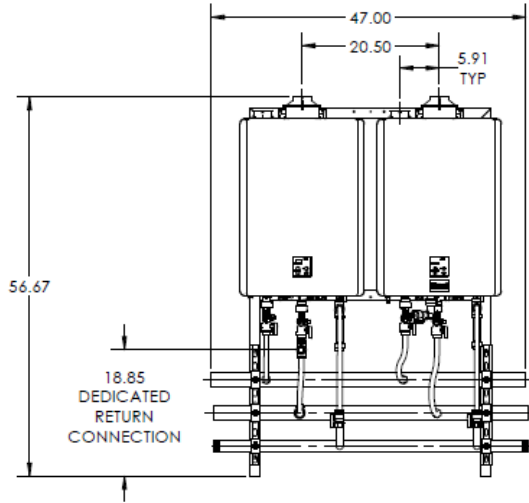
ThermaCirc360™
 Wait less. Waste less.

**2-Unit
 Wall-Hanging Frame**

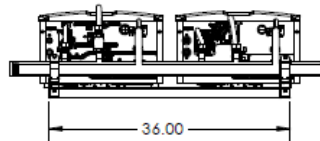
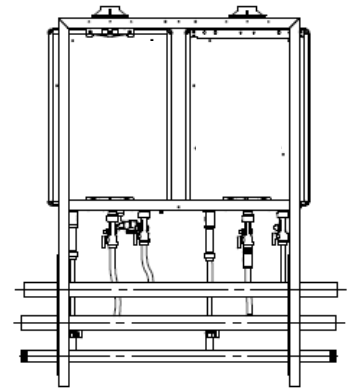
LEFT



FRONT



BACK



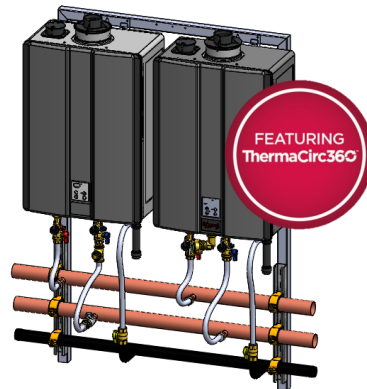
BOTTOM

Model	Configuration	Illustration
TRW02ST		

SE+ Series Featuring ThermaCirc360™ 2-Unit Wall-Hanging Frame (Continued)

Model	TRW02STi	TRW02STe
Water Heater Model	RUR199i AND RU199i (NG/LP)	RUR199e AND RU199e (NG/LP)
Crate Dimensions (HxLxD) - in	66 X 70 X 35	
Weight - Fully Assembled - lbs	178	177
Weight - Shipping (total) - lbs	399	398
Rack Frame - Specifications		
Frame Material	14 Gauge Hot Rolled Steel 1.5" Square Tube	16 Gauge Stainless Steel 1.5" Square Tube
Frame Finish	Powder Coat	Stainless
Color	Gray	Stainless
Water & Gas Connections		
Hot Water Trunk Line Diameter	2"	
Cold Water Trunk Line Diameter	2"	
Hot Water Trunk Line Material	Rigid Copper	
Cold Water Trunk Line Material	Rigid Copper	
Water Trunk Connection Type	2" PIPE	
Gas Trunk Line Diameter	1-1/4"	
Gas Trunk Connection Type	1-1/4" MNPT	
Gas Trunk Line Material	Sch 40 Steel	
Gas Branch Line Material	PVC Over CSST	
Electric Requirements		
Voltage	AC 120 Volts—60 Hz	
Maximum Current (Amperes)	8	
BTU and Flow Rates for RUR199i, RUR199e, RU199i, RU199e (NG/LP)		
Number of Tankless Water Heaters	2	
Flow rate @ 70°F rise (gpm)	10.8	
Flow rate @ 100°F rise (gpm)	7.6	
Minimum input rate (Btuh)	15,200	
Maximum input rate (Btuh)	398,000	

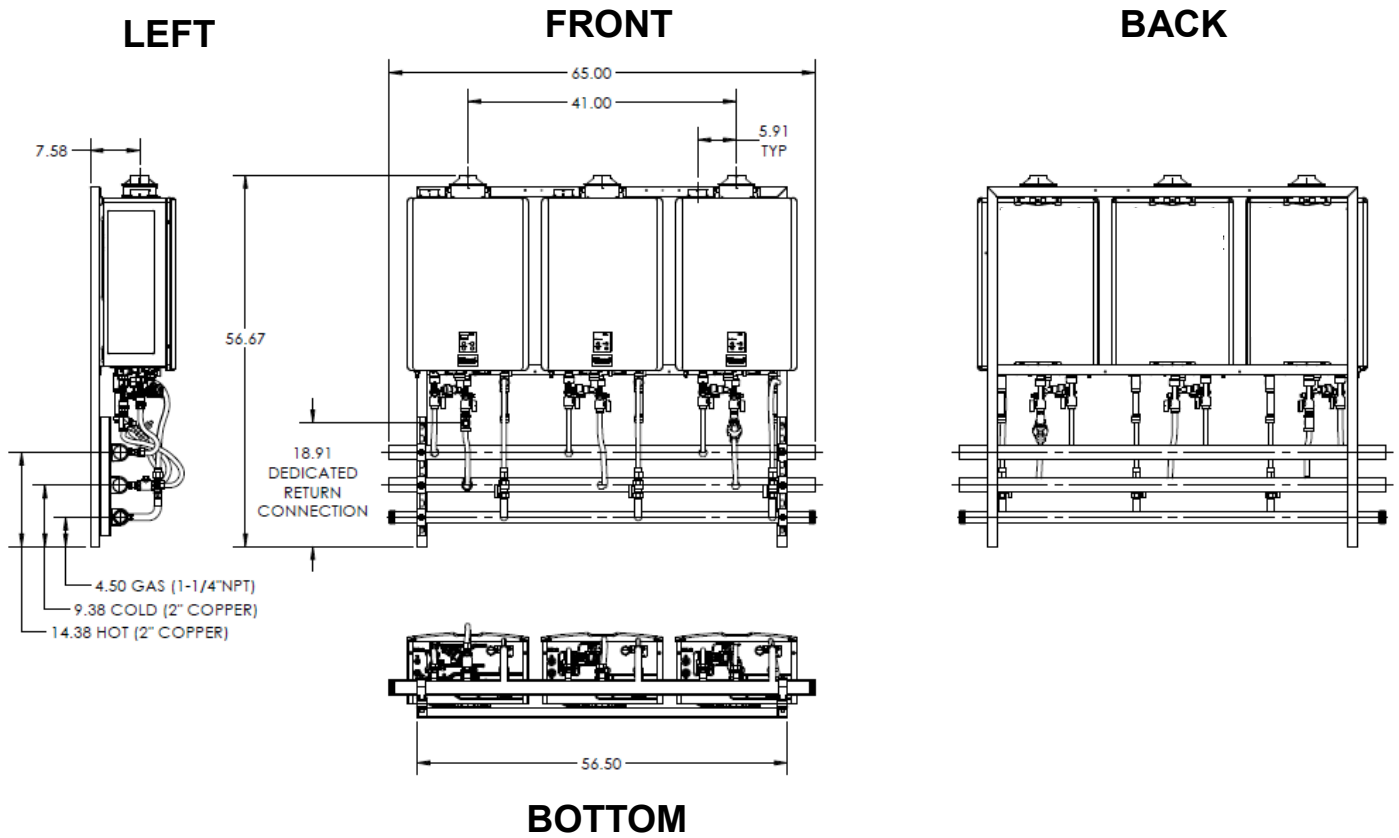
TRW02ST



SE+ Series Featuring ThermaCirc360™



**3-Unit
Wall-Hanging Frame**

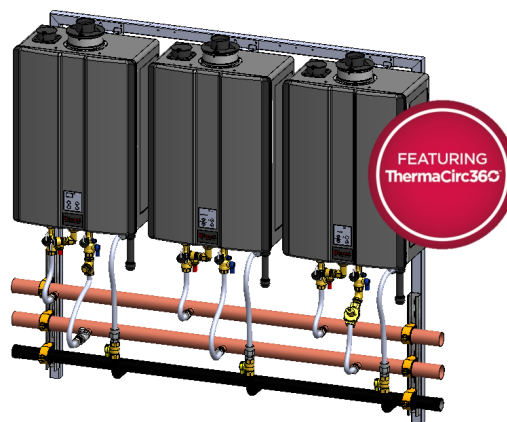


Model	Configuration	Illustration
TRW03ST		

SE+ Series Featuring ThermaCirc360™ 3-Unit Wall-Hanging Frame (Continued)

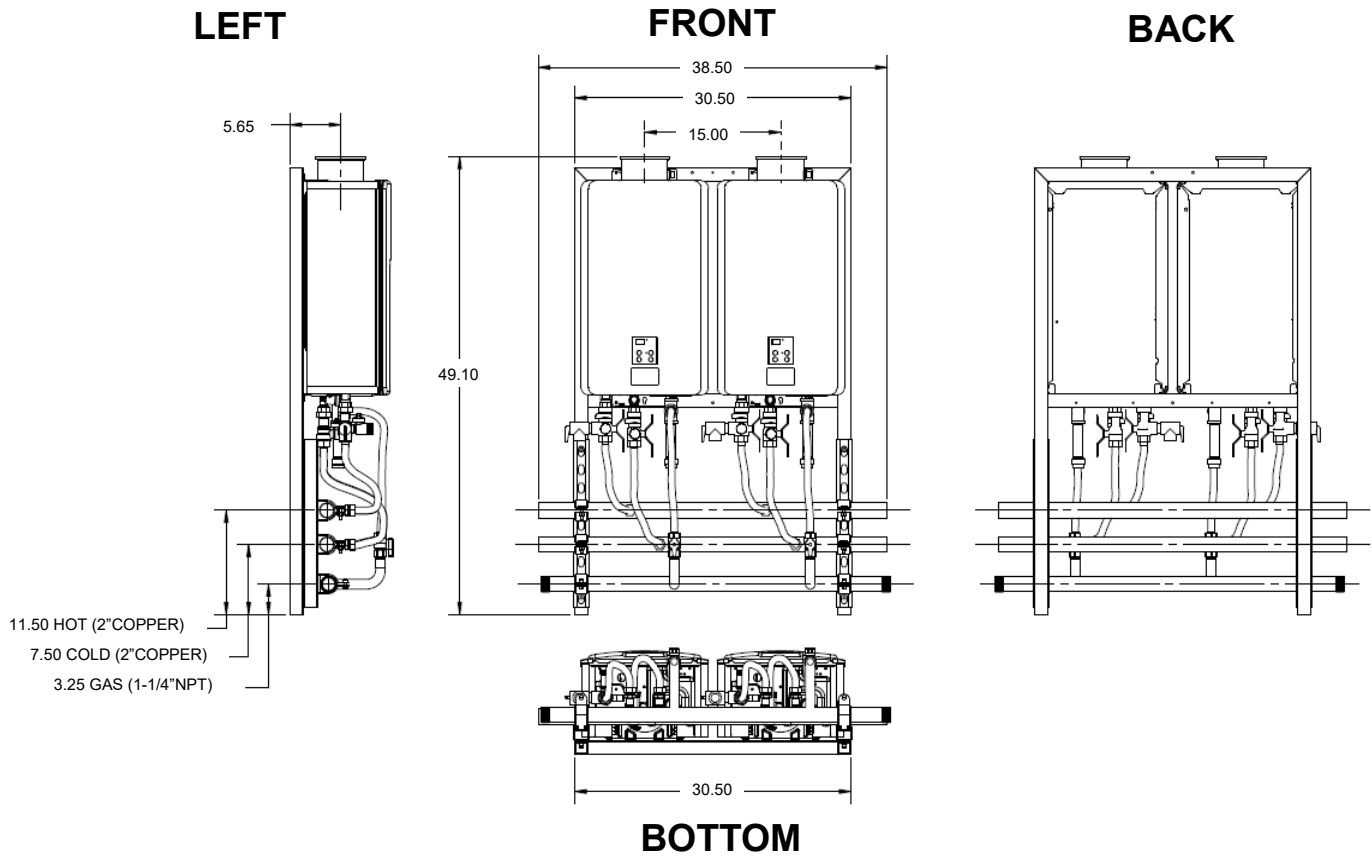
Model	TRW03STi	TRW03STe
Water Heater Model	RUR199i AND RU199i (NG/LP)	RUR199e AND RU199e (NG/LP)
Crate Dimensions (HxLxD) - in	66 x 70 x 35	
Weight - Fully Assembled - lbs	258	254
Weight - Shipping (total) - lbs	476	472
Rack Frame - Specifications		
Frame Material	14 Gauge Hot Rolled Steel 1.5" Square Tube	16 Gauge Stainless Steel 1.5" Square Tube
Frame Finish	Powder Coat	Stainless
Color	Gray	Stainless
Water & Gas Connections		
Hot Water Trunk Line Diameter	2"	
Cold Water Trunk Line Diameter	2"	
Hot Water Trunk Line Material	Rigid Copper	
Cold Water Trunk Line Material	Rigid Copper	
Water Trunk Connection Type	2" PIPE	
Gas Trunk Line Diameter	1-1/4"	
Gas Trunk Connection Type	1-1/4" MNPT	
Gas Trunk Line Material	Sch 40 Steel	
Gas Branch Line Material	PVC Over CSST	
Electric Requirements		
Voltage	AC 120 Volts—60 Hz	
Maximum Current (Amperes)	12	
BTU and Flow Rates for RUR199i, RUR199e, RU199i, RU199e (NG/LP)		
Number of Tankless Water Heaters	3	
Flow rate @ 70°F rise (gpm)	16.2	
Flow rate @ 100°F rise (gpm)	11.4	
Minimum input rate (Btuh)	15,200	
Maximum input rate (Btuh)	597,000	

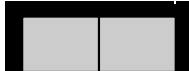

TRW03ST



HE Series

2-Unit
Wall-Hanging Frame



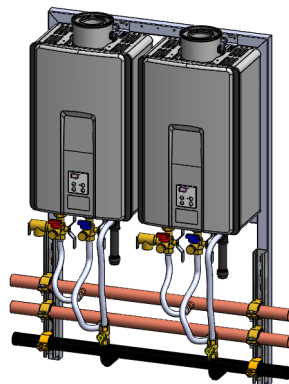
Model	Configuration	Illustration
TRW02HE ²		

² This configuration is available only as a custom, made-to-order (MTO) solution with extended lead times.

HE Series 2-Unit Wall-Hanging Frame (Continued)

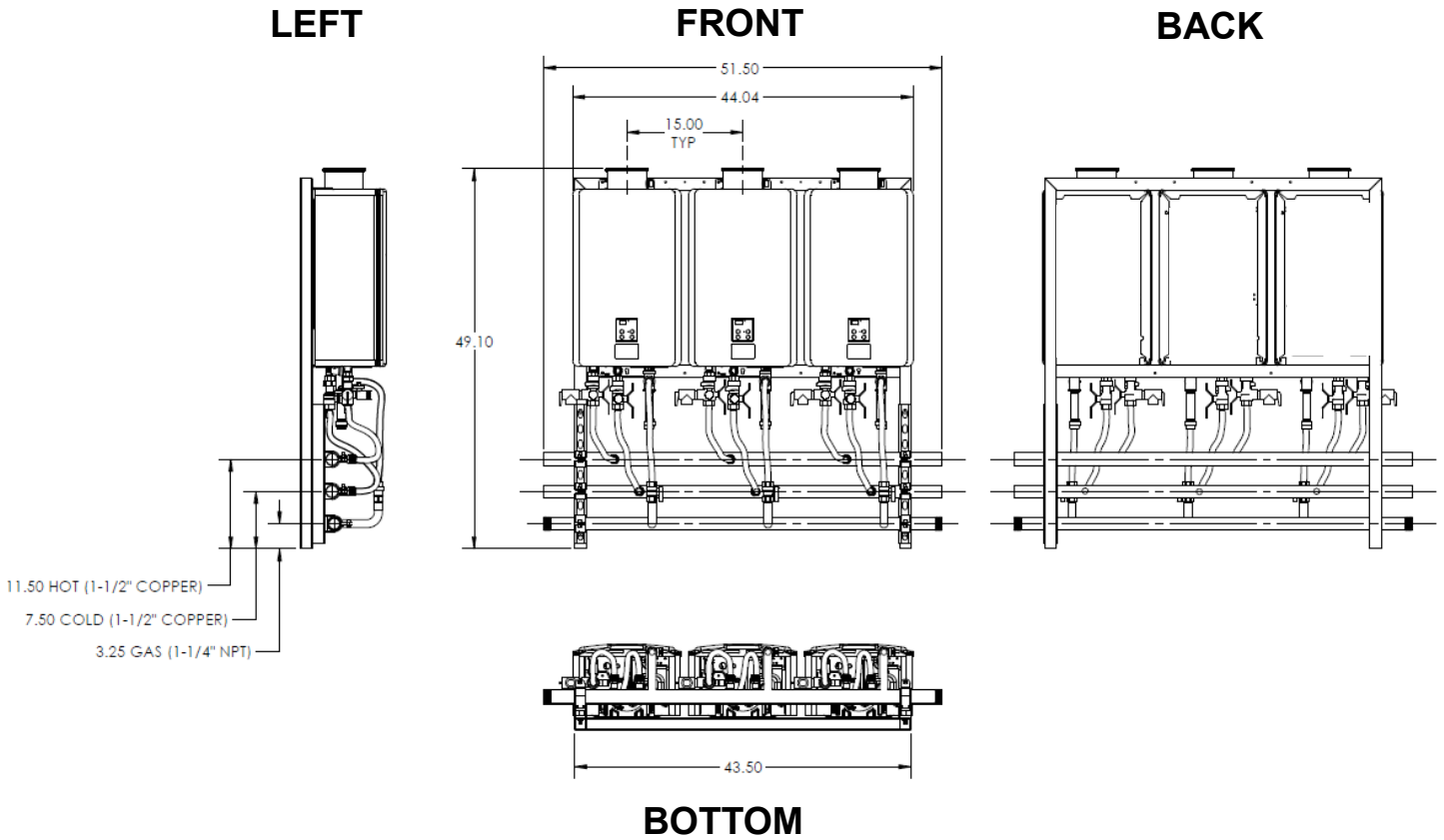
Model	TRW02HEi	TRW02HEXi	TRW02HEe
Water Heater Model	RL94i (NG/LP)	RLX94i (NG)	RL94e (NG/LP)
Crate Dimensions (HxLxD) - in	66 x 67 x 35		
Weight - Fully Assembled - lbs	120	120	120
Weight - Shipping (total) - lbs	334	334	334
Rack Frame - Specifications			
Frame Material	14 Gauge Hot Rolled Steel 1.5" Square Tube		16 Gauge Stainless Steel 1.5" Square Tube
Frame Finish	Powder Coat		Stainless
Color	Gray		Stainless
Water & Gas Connections			
Hot Water Trunk Line Diameter	1-1/2"		
Cold Water Trunk Line Diameter	1-1/2"		
Hot Water Trunk Line Material	Rigid Copper		
Cold Water Trunk Line Material	Rigid Copper		
Water Trunk Connection Type	1-1/2" PIPE		
Gas Trunk Line Diameter	1-1/4"		
Gas Trunk Connection Type	1-1/4" MNPT		
Gas Trunk Line Material	Sch 40 Steel		
Gas Branch Line Material	PVC Over CSST		
Electric Requirements			
Voltage	AC 120 Volts—60 Hz		
Maximum Current (Amperes)	8		
BTU and Flow Rates for RL94i, RLX94i, RL94e (NG/LP)			
Number of Tankless Water Heaters	2	2	2
Flow rate @ 70°F rise (gpm)	9.5	9	9.5
Flow rate @ 100°F rise (gpm)	6.6	6.3	6.6
Minimum input rate (Btuh)	10,300	10,300	10,300
Maximum input rate (Btuh)	398,000	384,000	398,000



TRW02HE / TRW02HEX



HE Series

3-Unit Wall-Hanging Frame



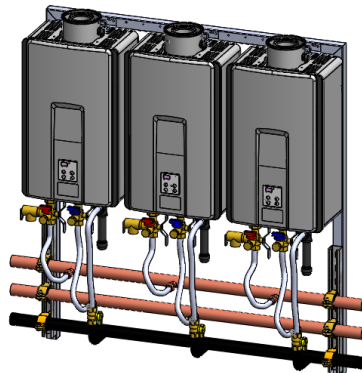
Model	Configuration	Illustration
TRW03HE ²		

² This configuration is available only as a custom, made-to-order (MTO) solution with extended lead times.

HE Series 3-Unit Wall-Hanging Frame (Continued)

Model	TRW03HEi	TRW03HEXi	TRW03HEe
Water Heater Model	RL94i (NG/LP)	RLX94i (NG)	RL94e (NG/LP)
Crate Dimensions (HxLxD) - in	66 x 67 x 35		
Weight - Fully Assembled - lbs	160	160	160
Weight - Shipping (total) - lbs	374	374	374
Rack Frame - Specifications			
Frame Material	14 Gauge Hot Rolled Steel 1.5" Square Tube		16 Gauge Stainless Steel 1.5" Square Tube
Frame Finish	Powder Coat		Stainless
Color	Gray		Stainless
Water & Gas Connections			
Hot Water Trunk Line Diameter	1-1/2"		
Cold Water Trunk Line Diameter	1-1/2"		
Hot Water Trunk Line Material	Rigid Copper		
Cold Water Trunk Line Material	Rigid Copper		
Water Trunk Connection Type	1-1/2" PIPE		
Gas Trunk Line Diameter	1-1/4"		
Gas Trunk Connection Type	1-1/4" MNPT		
Gas Trunk Line Material	Sch 40 Steel		
Gas Branch Line Material	PVC Over CSST		
Electric Requirements			
Voltage	AC 120 Volts—60 Hz		
Maximum Current (Amperes)	12		
BTU and Flow Rates for RL94i, RLX94i, RL94e (NG/LP)			
Number of Tankless Water Heaters	3	3	3
Flow rate @ 70°F rise (gpm)	14	13.5	14
Flow rate @ 100°F rise (gpm)	9.8	9.4	9.8
Minimum input rate (Btuh)	10,300	10,300	10,300
Maximum input rate (Btuh)	597,000	576,000	597,000

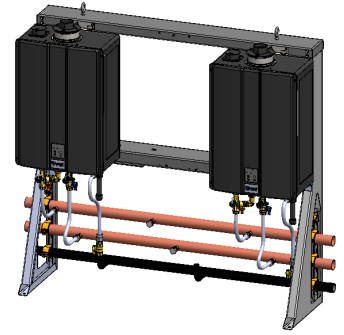
TRW03HE / TRW03HEX



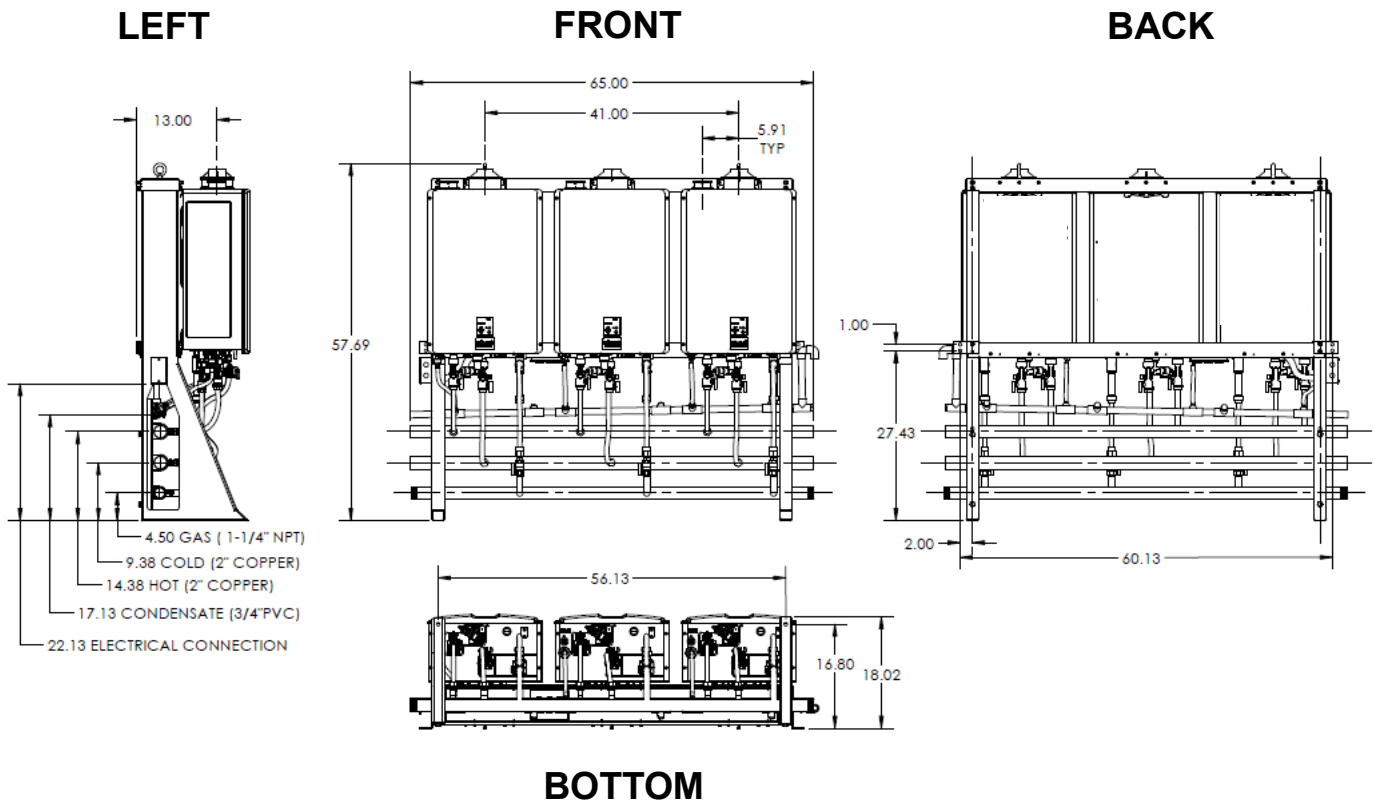
WALL-MOUNT RACKS

Available Configurations

- 2-Units



2-Unit Wall-Mount Frame



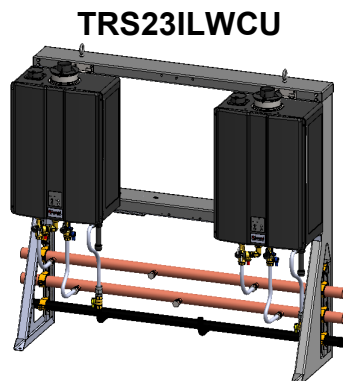
The above configuration is a 3-unit wall-mount frame which is available as a custom, made-to-order (MTO) solution with extended lead times.

Model	Configuration	Illustration
TRS231LWCU ²		

² This configuration is available only as a custom, made-to-order (MTO) solution with extended lead times.

3-Unit Wall-Mount Frame (Continued)

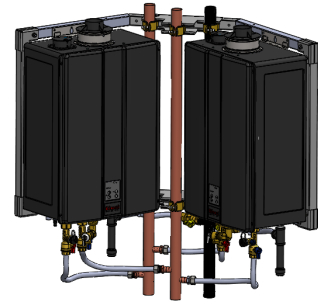
Model	TRS231LWCU
Water Heater Model	CU199i, CU199e (NG/LP)
Crate Dimensions (HxLxD) - in	66 x 70 x 35
Weight - Fully Assembled - lbs	222
Weight - Shipping (total) - lbs	424
Rack Frame - Specifications	
Frame Rail Type	Sheet Metal
Frame Material	Aluminum (0.090 5052-H32)
Frame Finish	Powder Coat
Color	Gray
Water, Gas, and Condensate Connections	
Hot Water Trunk Line Diameter	2"
Cold Water Trunk Line Diameter	2"
Hot Water Trunk Line Material	Rigid Copper
Cold Water Trunk Line Material	Rigid Copper
Water Trunk Connection Type	2" PIPE
Gas Trunk Line Diameter	1-1/4"
Gas Trunk Connection Type	1-1/4" MNPT
Gas Trunk Line Material	Sch 40 Steel
Gas Branch Line Material	PVC Over CSST
Condensate Trunk Line Diameter	N/A
Condensate Trunk Line Material	N/A
Condensate Trunk Connection Type	N/A
Electric Requirements	
Prewired Electrical Assembly	N/A
Voltage	AC 120 Volts - 60 Hz
Maximum Current (Amperes)	8
BTU and Flow Rates for CU199i, CU199e (NG/LP)	
Number of Tankless Water Heaters	2
Flow rate @ 70°F rise (gpm)	10.8
Flow rate @ 100°F rise (gpm)	7.6
Minimum input rate (Btuh)	15,200
Maximum input rate (Btuh)	398,000



CORNER-HANGING RACKS

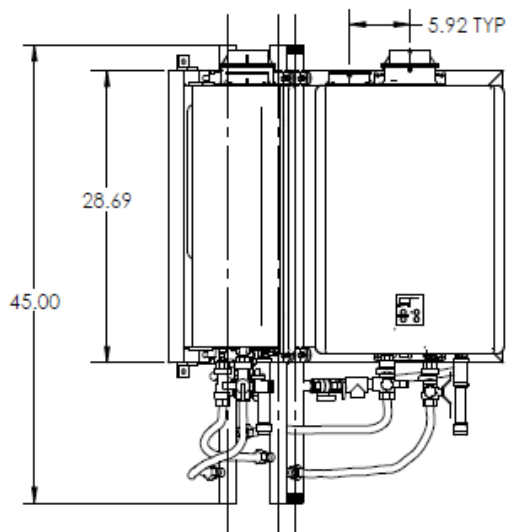
Available Configurations

- 2-Units

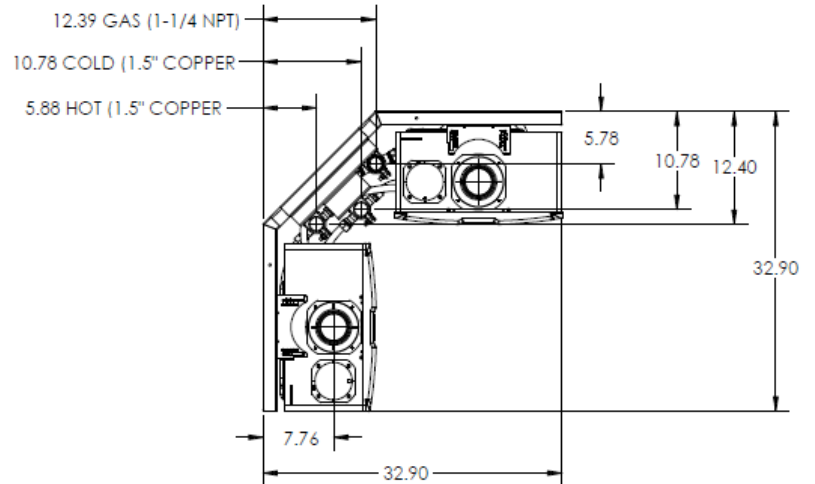


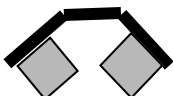

2-Unit Corner-Hanging Frame

FRONT



TOP

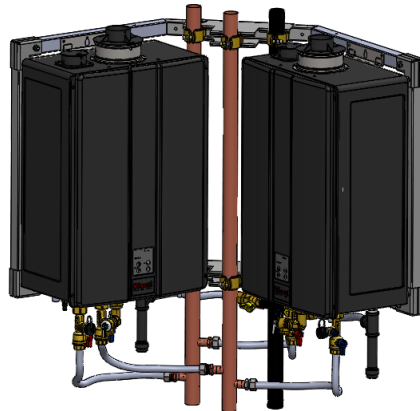


Model	Configuration	Illustration
TRC02CU ²		

² This configuration is available only as a custom, made-to-order (MTO) solution with extended lead times.

2-Unit Corner-Hanging Frame (Continued)

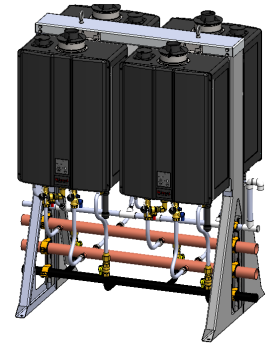
Model	TRC02CUi
Water Heater Model	CU199i (NG/LP)
Crate Dimensions (HxLxD) - in	31.5 x 48 x 50
Weight - Fully Assembled - lbs	224
Weight - Shipping (total) - lbs	356
Rack Frame - Specifications	
Frame Material	14 Gauge Hot Rolled Steel 1.5" Square Tube
Frame Finish	Powder Coat
Color	Gray
Water & Gas Connections	
Hot Water Trunk Line Diameter	1-1/2"
Cold Water Trunk Line Diameter	1-1/2"
Hot Water Trunk Line Material	Rigid Copper
Cold Water Trunk Line Material	Rigid Copper
Water Trunk Connection Type	1-1/2" PIPE
Gas Trunk Line Diameter	1-1/4"
Gas Trunk Connection Type	1-1/4" MNPT
Gas Trunk Line Material	Sch 40 Steel
Gas Branch Line Material	PVC Over CSST
Electric Requirements	
Voltage	AC 120 Volts—60 Hz
Maximum Current (Amperes)	8
BTU and Flow Rates for CU199i, (NG/LP)	
Number of Tankless Water Heaters	2
Flow rate @ 70°F rise (gpm)	10.8
Flow rate @ 100°F rise (gpm)	7.6
Minimum input rate (Btuh)	15,200
Maximum input rate (Btuh)	398,000



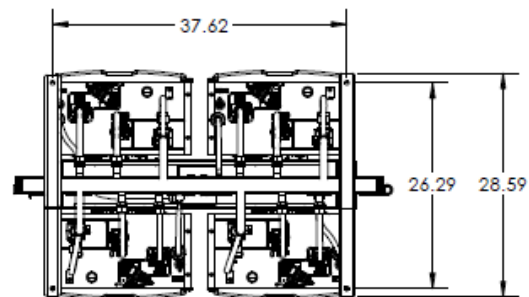
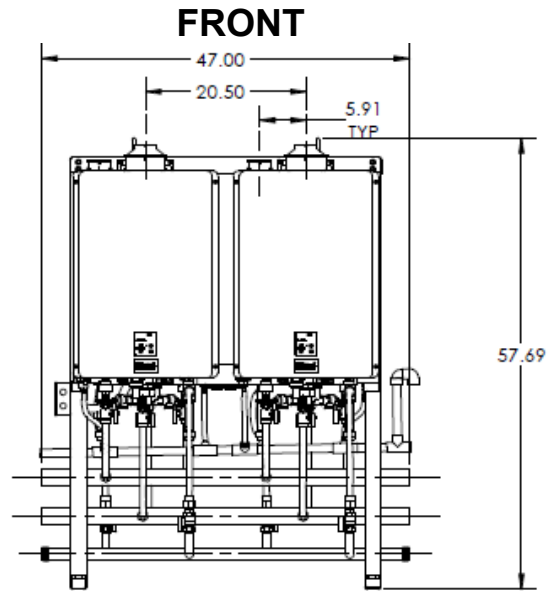
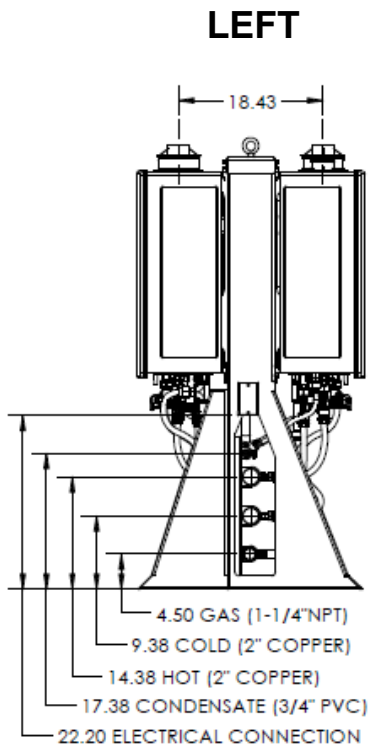
FREE-STANDING RACKS

Available Configurations

- 2-Units, 3-Units, 4-Units, 5-Units, 6-Units



4-Unit Free-Standing Frame



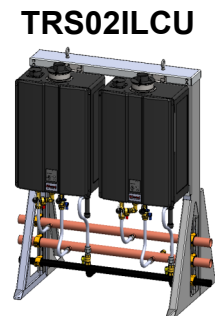
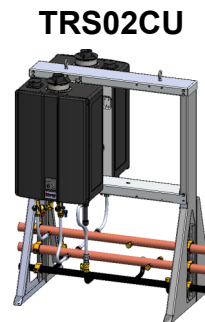
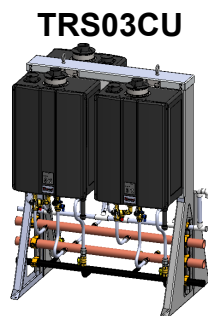
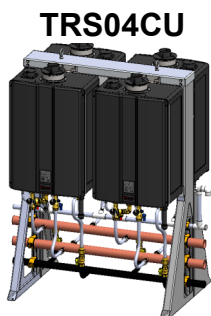
Model	Configuration	Illustration
TRS04CU		
TRS03CU ²		

² This configuration is available only as a custom, made-to-order (MTO) solution with extended lead times.

Model	Configuration	Illustration
TRS02ILCU	Inline (facing same direction)	
TRS02CU	Back to Back	

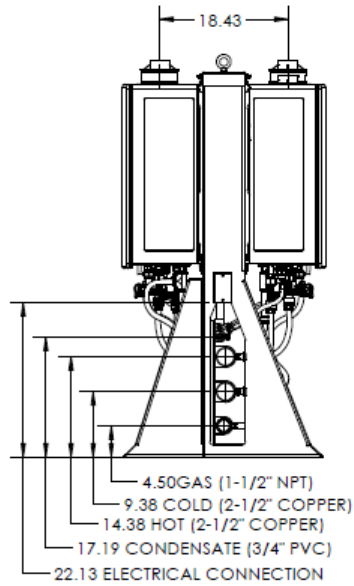
4-Unit Free-Standing Frame (Continued)

Model	TRS04CU	TRS03CU	TRS02CU	TRS02ILCU
Water Heater Model	CU199i, CU199e (NG/LP)			
Crate Dimensions (HxLxD) - in	66 x 70 x 35			
Weight - Fully Assembled - lbs	365	290	214	214
Weight - Shipping (total) - lbs	562	490	416	416
Rack Frame - Specifications				
Frame Rail Type	Sheet Metal			
Frame Material	Aluminum (0.090 5052-H32)			
Frame Finish	Powder Coat			
Color	Gray			
Water & Gas Connections				
Hot Water Trunk Line Diameter	2"			
Cold Water Trunk Line Diameter	2"			
Hot Water Trunk Line Material	Rigid Copper			
Cold Water Trunk Line Material	Rigid Copper			
Water Trunk Connection Type	2" PIPE			
Gas Trunk Line Diameter	1-1/4"			
Gas Trunk Connection Type	1-1/4" MNPT			
Gas Trunk Line Material	Sch 40 Steel			
Gas Trunk Branch Line Material	PVC Over CSST			
Condensate Trunk Line Diameter	3/4"			N/A
Condensate Trunk Material	Sch-40 PVC			N/A
Condensate Trunk Connection Type	3/4" Pipe			N/A
Electric Requirements				
Prewired Electrical Assembly	Yes (Indoor Models Only)			N/A
Voltage	AC 120 Volts—60 Hz			
Maximum Current (Amperes)	16	12		8
BTU and Flow Rates for CU199i, CU199e (NG/LP)				
Number of Tankless Water Heaters	4	3		2
Flow rate @ 70°F rise (gpm)	21.6	16.2		10.8
Flow rate @ 100°F rise (gpm)	15.2	11.4		7.6
Minimum input rate (Btuh)	15,200			
Maximum input rate (Btuh)	796,000	597,000		398,000

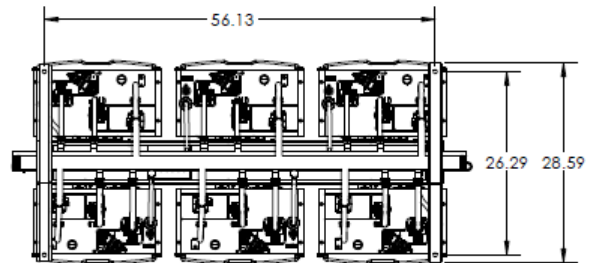
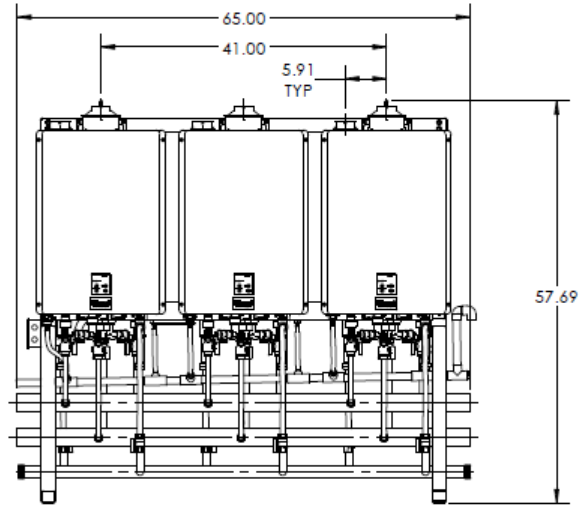


6-Unit Free-Standing Frame

LEFT



FRONT



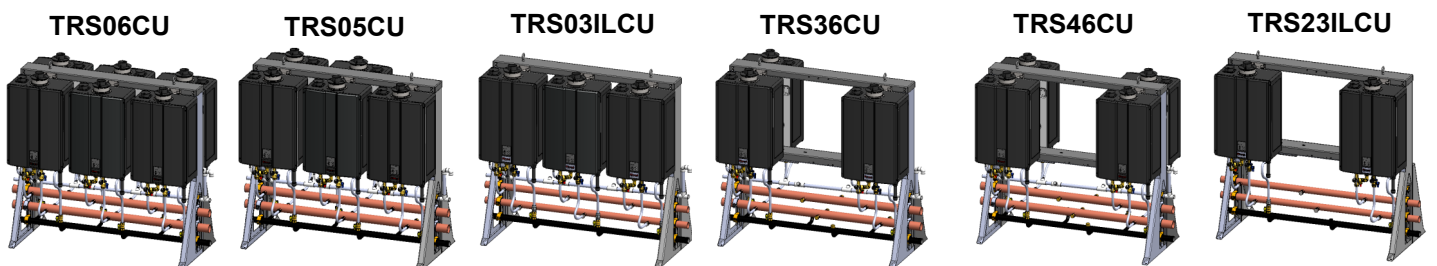
BOTTOM

Model	Configuration	Illustration	Model	Configuration	Illustration
TRS06CU			TRS36CU ²		
TRS05CU			TRS46CU ²		
TRS03ILCU			TRS23ILCU ²		

² This configuration is available only as a custom, made-to-order (MTO) solution with extended lead times.

6-Unit Free-Standing Frame (Continued)

Model	TRS06CU	TRS05CU	TRS46CU	TRS36CU	TRS03ILCU	TRS23ILCU
Rack Frame - Specifications						
Frame Rail Type	Sheet Metal					
Frame Material	Aluminum (0.090 5052-H32)					
Frame Finish	Powder Coat					
Color	Gray					
Water & Gas Connections						
Hot Water Trunk Line Diameter	2-1/2"				2"	
Cold Water Trunk Line Diameter	2-1/2"				2"	
Hot Water Trunk Line Material	Rigid Copper					
Cold Water Trunk Line Material	Rigid Copper					
Water Trunk Connection Type	2-1/2" PIPE				2" PIPE	
Gas Trunk Line Diameter	1-1/2"				1-1/4"	
Gas Trunk Connection Type	1-1/2" MNPT				1-1/4"MNPT	
Gas Trunk Line Material	Sch 40 Steel					
Gas Branch Line Material	PVC Over CSST					
Condensate Trunk Line Diameter	3/4"				N/A	
Condensate Trunk Line Material	Sch-40 PVC				N/A	
Condensate Trunk Connection Type	3/4" Pipe				N/A	
Electric Requirements						
Prewired Electrical Assembly	Yes (Indoor Models Only)					N/A
Voltage	AC 120 Volts - 60 Hz					
Max Current (Amperes)	24	20	16	12	12	8
BTU and Flow Rates for CU199i, CU199e (NG/LP)						
Number of Tankless Water Heaters	6	5	3	4	2	2
Flow rate @ 70°F rise (gpm)	32.4	27.0	16.2	21.6	10.8	10.8
Flow rate @ 100°F rise (gpm)	22.8	19.0	11.4	15.1	7.6	7.6
Minimum input rate (Btuh)	15,200					
Maximum input rate (Btuh)	1,194,000	995,000	597,000	796,000	398,000	398,000



Venting

Venting components are packaged separately from the pre-assembled rack for field assembly of the vent system by the contractor.

The following vent options are available:

- Direct Vent with Concentric Pipe

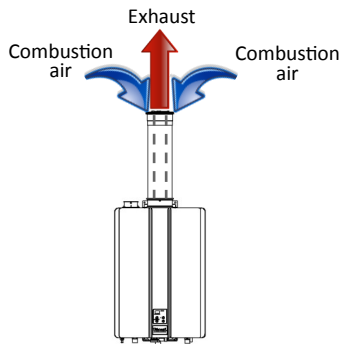
IMPORTANT

HE+ Series tankless water heaters must use concentric venting with a metal exhaust pipe. Refer to the Installation and Operation Manual supplied with the HE+ Tankless Water Heater for venting options.

- Direct Vent with Twin Pipe
- Common Vent

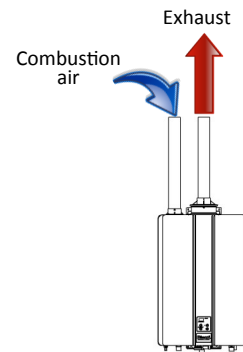
Direct Vent (Concentric Pipe)

Combustion air and exhaust vent directly through a single concentric connection. Hot exhaust exits through the interior tube, while combustion air enters through the outer layer.



Direct Vent (Twin Pipe)

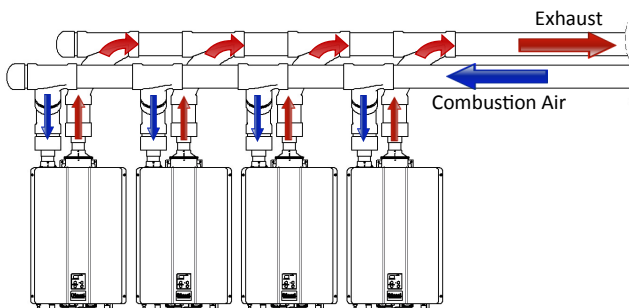
Combustion air and exhaust vent directly through separate penetrations.



Common Vent (Indoor Units Only. Direct Vent and Non-Direct/Room Air Vent)

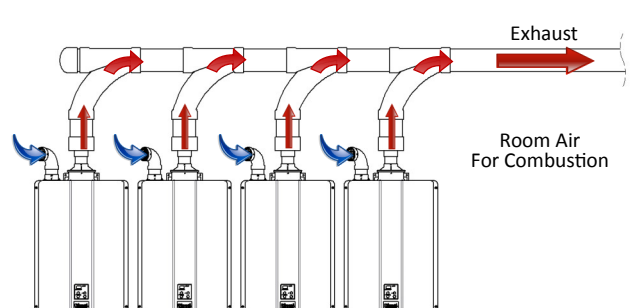
Direct Vent

Multiple water heaters sharing a combustion air header and a separate exhaust header that vents directly through separate penetrations to the outside.



Non-Direct (Room Air) Vent

Multiple water heaters using room air for combustion while sharing an exhaust header that vents directly to the outside.



Vent Options

The following table lists the vent options for the CU Series, SE Series and SE+ Series tankless water heaters.

HE+ Series tankless water heaters must use concentric venting with a metal exhaust pipe. Refer to the Installation and Operation Manual supplied with the HE+ Tankless Water Heater for venting options.

Vent Options for CU Series, SE Series, and SE+ Series Tankless Water Heaters

Vent Options	Vent Material		Diameter		Max. Units	Maximum Vent Length
	Exhaust	Intake	Header	Vent		
Common Vent	Polypropylene or Schedule 40 PVC/CPVC	Polypropylene or Schedule 40 PVC/CPVC	3 in.		2	65 FT
			4 in.		4	1-3 Units: 150 FT 4 Units: 65 FT
			4 in.	6 in.	7	1-6 Units: 150 FT 7 Units: 70 FT
			6 in.		8	150 FT
Concentric Pipe	Polypropylene	Schedule 40 PVC	[Hatched Area]		5 in.	150 FT
					4 in.	65 FT
Twin Pipe	Polypropylene* or Schedule 40 PVC/CPVC	Schedule 40 PVC/CPVC	[Hatched Area]		3 in.	150 FT
					2 in.	65 FT

* Twin Pipe Polypropylene venting is provided by Centrotherm through their own distribution network.

Multiple Water Heaters

With use of cascade cable(s) up to 24 water heaters can be electronically connected. This connection will rotate water heater operation order to ensure equal usage among the entire system and enables all water heaters connected to modulate operation and function as one hot water source.

©2021 Rinnai America Corporation. Rinnai America Corporation continually updates materials, and as such, content is subject to change without notice.

Local, state, provincial, federal and national fuel gas codes must be adhered to prior to and upon installation.

Rinnai America Corporation

103 International Drive
Peachtree City, GA 30269
Tel. 1-800-621-9419
Web. www.rinnai.us
www.rinnai.ca