

### Features

- Two Lever handles offer separate control of hot and cold water.
- For 8" (203 mm) or 16" (406 mm) centers.
- For use with Components K-77967, K-77965, K-77968, K-77966, or K-77969 spout (sold separately).
- Coordinates with Components faucets, shower trim, and accessories to complete your bathroom.

### Material

- Premium metal construction.
- KOHLER finishes resist corrosion and tarnishing.

### Technology

- UltraGlide™ engineered ceramic disc valves resist deterioration and mineral buildup, resulting in long-lasting, reliable performance.

### Installation

- Handles pre-assembled on valves to simplify installation.

### Recommended Products/Accessories

K-77967 bathroom sink spout with Tube design  
 K-77965 tall bathroom sink spout with Tube design  
 K-77968 bathroom sink spout with Ribbon design  
 K-77966 tall bathroom sink spout with Ribbon design  
 K-77969 bathroom sink spout with Row design  
 K-23887

### Optional Products/Accessories

1303704 24" outlet hose assembly



ADA CSA B651 OBC

### Codes/Standards

ASME A112.18.1/CSA B125.1  
 NSF/ANSI 61  
 NSF/ANSI 372  
 ADA  
 ICC/ANSI A117.1  
 CSA B651  
 OBC

### KOHLER® Faucet Lifetime Limited Warranty

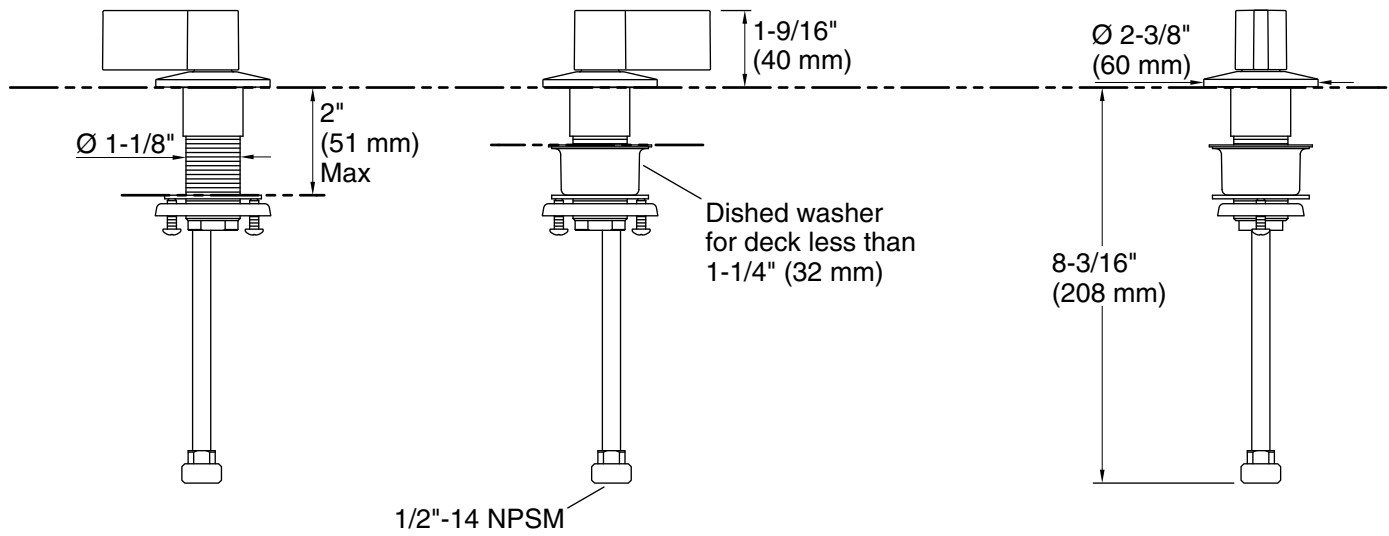
See website for detailed warranty information.

### Available Colors/Finishes

*Color tiles intended for reference only.*

#### Color Code Description

Color	Code	Description
	CP	Polished Chrome
	SN	Vibrant® Polished Nickel
	BL	Matte Black
	RGD	Vibrant Rose Gold
	TT	Vibrant Titanium



### Technical Information

All product dimensions are nominal.

Drain included: No

### Notes

Install this product according to the installation instructions.

ADA, OBC, CSA B651 compliant when installed to the specific requirements of these regulations.