

SUBMITTAL DATA: SEZ-KD18NA4 & SUZ-KA18NA**
18,000 BTU/H HORIZONTAL-DUCTED HEAT-PUMP SYSTEMS

Job Name:	Location:	Date:
Purchaser:	Engineer:	
Submitted to:	For <input type="checkbox"/> Reference <input type="checkbox"/> Approval <input type="checkbox"/> Construction	
System Designation:	Schedule No.:	

****APPLIES TO INDOOR UNIT:**

- SEZ-KD18NA4
- SEZ-KD18NA4.TH
- SEZ-KD18NAR1.TH
- SEZ-KD18NA4R1.TH



Indoor Unit: SEZ-KD18NA4**



Outdoor Unit: SUZ-KA18NA

GENERAL FEATURES

- Horizontal-ducted indoor unit for concealed applications
- Ultra thin body: 7-7/8" high
- Built-in drain mechanism for condensate removal; lifts to 21-11/16"
- Air filter is included with indoor unit
- Quiet operation — as low as 23 dBA
- Indoor unit powered from outdoor unit using A-Control
- AUTO fan speed control
- Automatic restart following a power outage
- Limited warranty: five years parts and seven years compressors

ACCESSORIES
Indoor Unit

- Filter Box with MERV 8 Filters (FBL1-3)
- Bottom Return Plate (BRP-3)

Outdoor Unit

- Drain Socket (MAC-811DS)
- Drain Pan Heater (MAC-641BH-U)
- Three-pole Disconnect Switch (TAZ-MS303)
- Air Outlet Guide (MAC-856SG)
- Mounting Base (DSD-400N)
- Mounting Pad (ULTRILITE1)
- Wall-mounting Brackets (CWMB1)

Controller Options

- Wireless Wall-mounted Remote Controller Kit (MHK1)*
 - Portable Central Controller (MCCH1)*
 - Outdoor Air Sensor (MOS1)*
 - Wired Wall-mounted Controller (PAR-31MAA)*
 - Simple MA Remote Controller (PAC-YT53CRAU)*
- *See Submittal for information on each option.
- Remote Temperature Sensor (M21-JKO-307)
 - Hand-held Wireless Remote Controller (PAR-FL32MA; eq. PAR-FA32MA-E)
 - Wireless Signal Receiver Module PAR-FA32MA (for PAR-FL32MA)
 - Lockdown Bracket for Hand-held Controller (RCMKP1CB)



SPECIFICATIONS: SEZ-KD18NA4** & SUZ-KA18NA

Cooling*

Rated Capacity 17,200 Btu/h
Capacity Range 3,800 - 19,000 Btu/h
SEER 17.5
Total Input 1,380 W

Heating at 47°F*

Rated Capacity 21,600 Btu/h
Capacity Range 4,800 - 24,900 Btu/h
HSPF 10.0
Total Input 1,700 W

Heating at 17°F*

Rated Capacity 13,100 Btu/h
Rated Total Input 1,350 W
Maximum Capacity** 13,100 Btu/h
Maximum Total Input 1,830 W

* Rating Conditions per AHRI Standard

Cooling | Indoor: 80° F (27° C) DB / 67° F (19° C) WB
Cooling | Outdoor: 95° F (35° C) DB / 75° F (24° C) WB
Heating at 47°F | Indoor: 70° F (21° C) DB / 60° F (16° C) WB
Heating at 47°F | Outdoor: 47° F (8° C) DB / 43° F (6° C) WB
Heating at 17° F | Indoor: 70° F (21° C) DB / 60° F (16° C) WB
Heating at 17° F | Outdoor: 17° F (-8° C) DB / 15° F (-9° C) WB

**** Maximum Capacity is at full speed and performance for INVERTER-driven System.**

Electrical Requirements

Power Supply 208 / 230V, 1-Phase, 60 Hz
Recommended Fuse/Breaker Size 15 A

OPERATING CONDITIONS

		Indoor Intake Air Temp.	Outdoor Intake Air Temp.
Cooling	Maximum	90°F (32°C) DB 73°F (23°C) WB	115°F (46°C) DB
	Minimum	67°F (19°C) DB 57°F (14°C) WB	14°F (-10°C) DB
Heating	Maximum	80°F (27°C) DB 67°F (19°C) WB	75°F (24°C) DB 65°F (18°C) WB
	Minimum	70°F (21°C) DB 60°F (16°C) WB	-4°F (-20°C) DB -5°F (-21°C) WB

Voltage

Indoor - Outdoor S1-S2 AC 208 / 230V
Indoor - Outdoor S2-S3 DC ±24V

Indoor Unit

MCA 1 A
Blower Type x Quantity Sirocco Fan x 4
Blower Motor Type Direct-driven DC Brushless Motor
Blower Motor Output 96 W
Blower Motor (ECM) 0.74 F.L.A.
Airflow (Lo - Med - Hi) 423 - 529 - 635 Dry CFM
381 - 476 - 572 Wet CFM
Air Filter Polypropylene Honeycomb
External Static Pressure 0.02 - 0.06 - 0.14 - 0.20" WG
Sound Pressure Level (Lo - Med - Hi) 30 - 34 - 38 dB(A)

DIMENSIONS	UNIT INCHES / MM
W	46-7/8 / 1,190
D	27-9/16 / 700
H	7-7/8 / 200

Weight 62 lbs. / 28 kg
External Finish Galvanized-steel Sheets
Field Drainpipe Size O.D. 1-1/4" / 32 mm

Outdoor Unit

Compressor DC Inverter-driven Twin Rotary
MCA 14 A
MOCP 15 A
Fan Motor (ECM) 0.93 F.L.A.
Sound Pressure Level
Cooling 54 dB(A)
Heating 56 dB(A)

DIMENSIONS	INCHES / MM
W	33-1/16 / 840
D	13 / 330
H	33-7/16 / 850

Weight 119 lbs. / 54 kg
External Finish Munsell No. 3Y 7.8 / 1.1

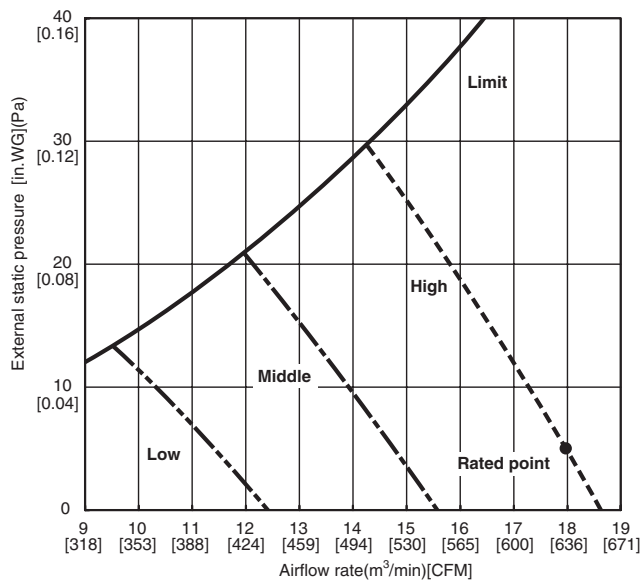
Refrigerant Type R410A
Refrigerant Pipe Size O.D.
Gas Side 1/2" / 12.7 mm
Liquid Side 1/4" / 6.35 mm
Max. Refrigerant Pipe Length 100' / 30 m
Max. Refrigerant Pipe Height Difference 50' / 15 m
Connection Method Flared

Notes:

SEZ-KD18NA4** INDOOR FAN PERFORMANCE AND CORRECTED AIR FLOW CHARTS

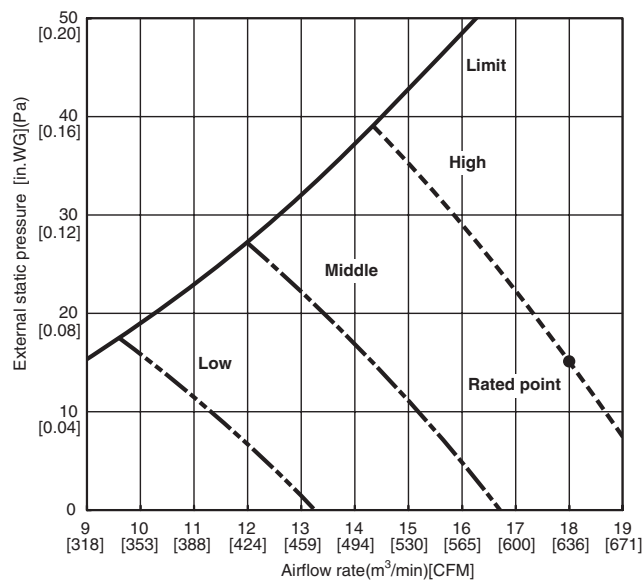
SEZ-KD18NA4

(External static pressure 0.02[in.WG](5Pa)) 208/230V 60Hz



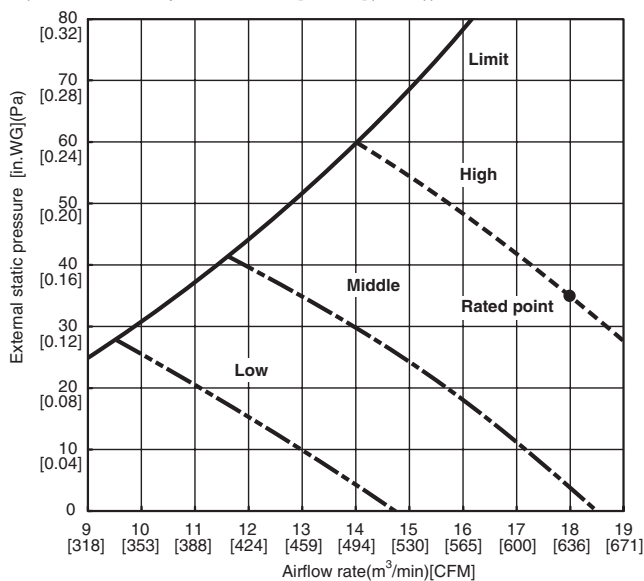
SEZ-KD18NA4

(External static pressure 0.06[in.WG](15Pa)) 208/230V 60Hz



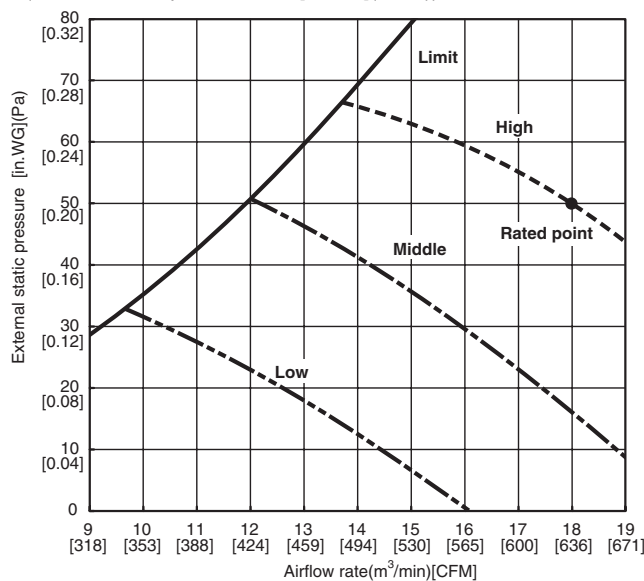
SEZ-KD18NA4

(External static pressure 0.14[in.WG](35Pa)) 208/230V 60Hz



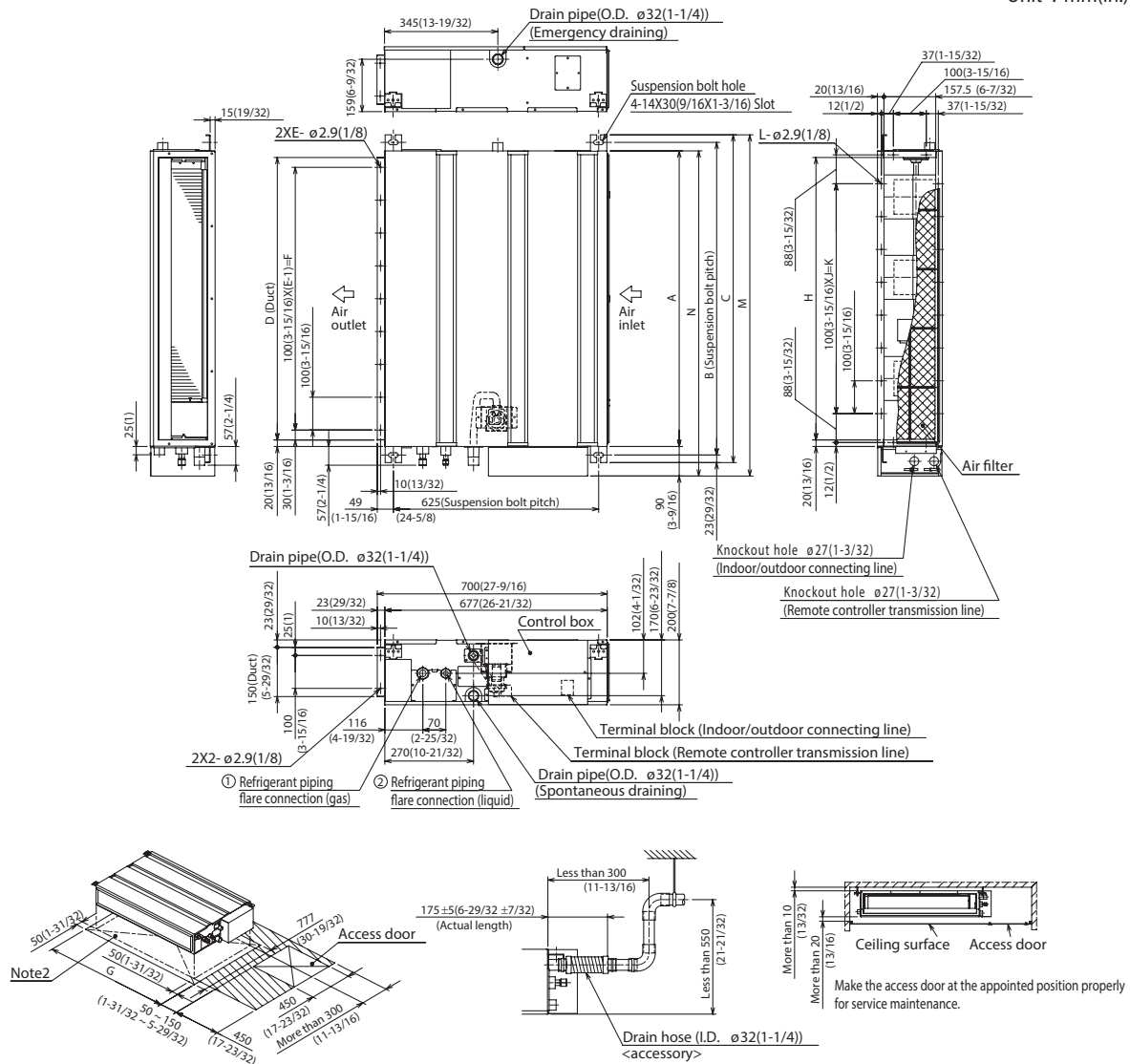
SEZ-KD18NA4

(External static pressure 0.20[in.WG](50Pa)) 208/230V 60Hz



DIMENSIONS: SEZ-KD18NA4**

Unit : mm(in.)



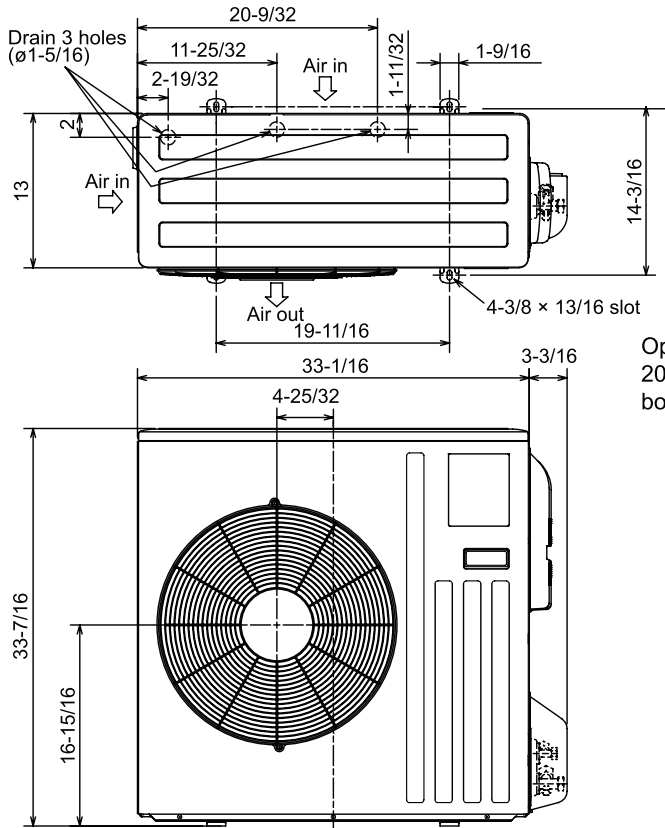
Required space for service and maintenance

Model	mm(in.)															
	A	B	C	D	E	F	G	H	J	K	L	M	N	① Gas pipe	② Liquid pipe	
SEZ-KD09NA4**	700 (27-9/16)	752 (29-5/8)	798 (31-7/16)	660 (26)	7	600 (23-5/8)	800 (31-1/2)	660 (26)	5	500 (19-11/16)	16	839 (33-1/16)	790 (31-1/8)	ø9.52(3/8)	ø6.35(1/4)	
SEZ-KD12NA4**	900 (35-7/16)	952 (37-1/2)	998 (39-5/16)	860 (33-7/8)	9	800 (31-1/2)	1000 (39-3/8)	860 (33-7/8)	7	700 (27-9/16)	20	1039 (40-29/32)	990 (39)			
SEZ-KD15NA4**	1100 (43-5/16)	1152 (45-3/8)	1198 (47-3/16)	1060 (41-3/4)	11	1000 (39-3/8)	1200 (47-1/4)	1060 (41-3/4)	9	900 (35-7/16)	24	1239 (48-25/32)	1190 (46-7/8)			

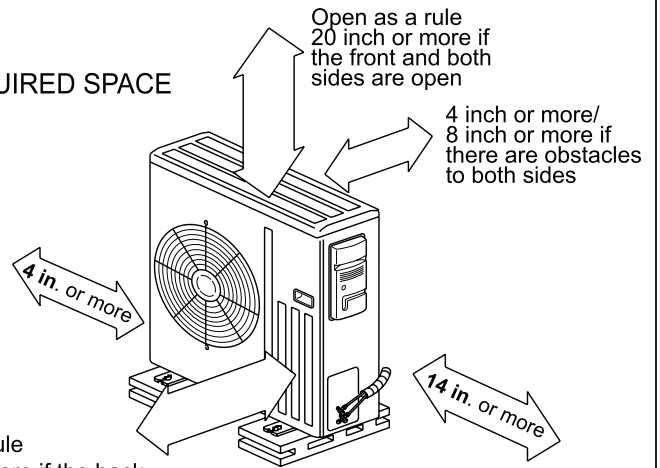
- Note1. Use M10 screw for the suspension bolt (field supply).
 Note2. Keep the service space for the maintenance at the bottom.
 Note3. This chart indicates for SEZ-KD15NA4** model, which has 3 fans.
 SEZ-KD09, 12NA4** models have 2 fans.
 SEZ-KD18NA4** models have 4 fans.
 Note4. In case an inlet duct is used, remove the air filter (supply with the unit), then install the filter (field supply) at suction side.

DIMENSIONS: SUZ-KA18NA

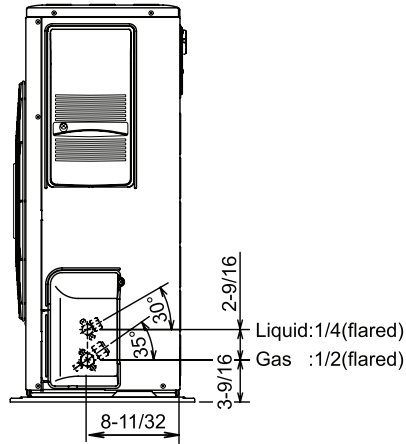
Unit: inch



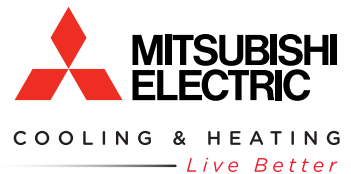
REQUIRED SPACE



Open as a rule 20 inch or more if the back, both sides and top are open



Intertek



1340 Satellite Boulevard
 Suwanee, GA 30024
 Tele: 678-376-2900 • Fax: 800-889-9904
 Toll Free: 800-433-4822
 www.mehvac.com