

# KALLISTA®

## For Town Transfer Trim

### FEATURES

- Solid brass construction for durability and reliability
- Allows the bather to direct water flow
- Pairs with a 2- or 3-way transfer valve configuration
- Complements the For Town collection

### CODES/STANDARDS APPLICABLE

Specified model meets or exceeds the following:

- ASME A112.18.1/CSA B125.1
- ICC/ANSI A117.1
- ADA\*
- OBC\* (Lever only)
- CSA B651\*

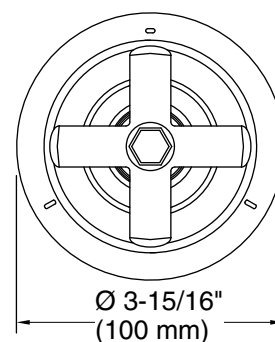
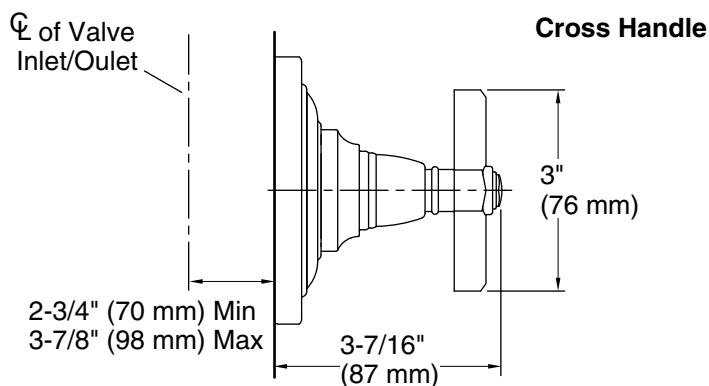
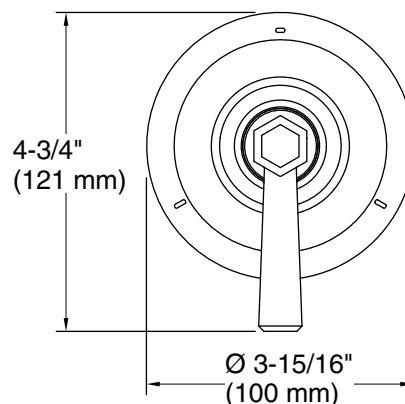
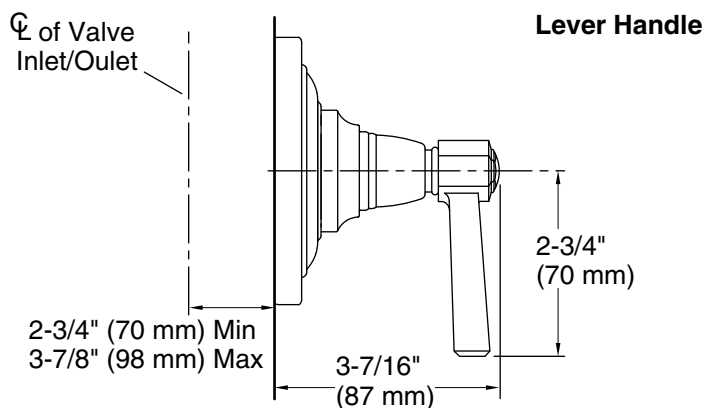
**ADA**

**CSA B651**

**OBC**

\* Compliant when installed to the specific requirement of this regulation

# P22784



### SPECIFIED MODEL

Model	Description	Finishes		
P22784-LV	For Town Transfer Trim, Lever Handle	<input type="checkbox"/> CP Polished Chrome	<input type="checkbox"/> AD Nickel Silver	<input type="checkbox"/> AG Brushed Nickel
P22784-CR	For Town Transfer Trim, Cross Handle	<input type="checkbox"/> CP Polished Chrome	<input type="checkbox"/> AD Nickel Silver	<input type="checkbox"/> AG Brushed Nickel
Required Rough-In				
P29513-00	3-Way Transfer Valve	<input type="checkbox"/> NA		
P29514-00	3-Way Transfer Valve, Eco	<input type="checkbox"/> NA		

We reserve the right to make revisions without notice in the design of products or in packaging unless this right has specifically been waived at the time the order is accepted.