

### Features

- Drawer fronts with integrated metal and wood handle detail
- Richly textured oak finish
- Top drawer is a false front
- Bottom drawer is a plumbing drawer
- Open storage shelf

### Materials & Construction

- Solid wood and veneer construction
- Full plywood back panel, no cutout
- Dovetailed drawers
- Blum undermount full extension slow close slides
- Durable, moisture resistant polyurethane finish
- Adjustable leveling feet

### Options

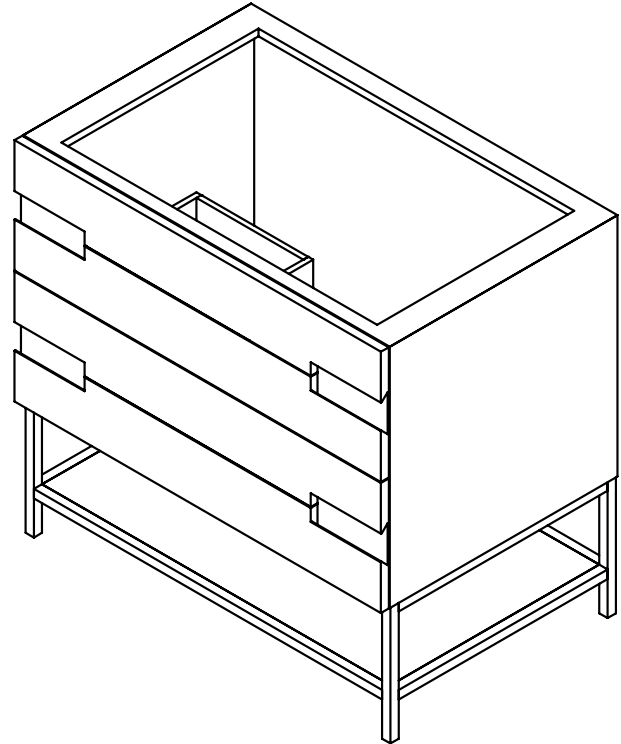
- Available in:  
CVSE3620169, Natural Gray paired with Brushed Pewter  
CVSE3621587, Matte Black Oak paired with Aged Brass
- Engineered stone tops available:  
TA36UCO93-8CS2  
TA36UCO95-8CS2  
TA36UCO96-8CS2  
TA36UCO97-8CS2  
TA36UCO98-8CS2  
TA36UCO99-8CS2  
TA36UCO100-8CS2  
TA36UCO101-8CS2
- Coordinating mirrors available
- Coordinating linen cabinet available

### Dimensions

Width: 35"

Height: 32-7/8"

Depth: 22-1/2"



### Model Number Key

PRODUCT LINE	CATEGORY	COLLECTION	WIDTH	FINISH OPTIONS	OPTIONS
C = Craft Series	V = Vanity	SE = Sendai	36"	(See above)	(See above)

Sendai 36" Vanity CVSE36

