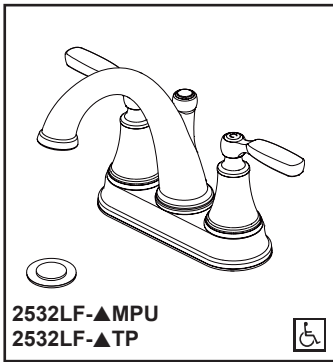




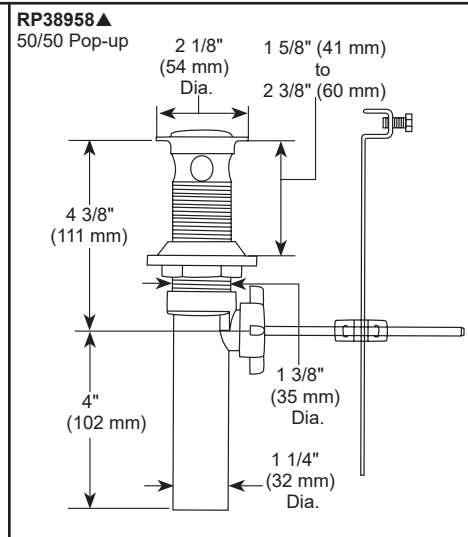
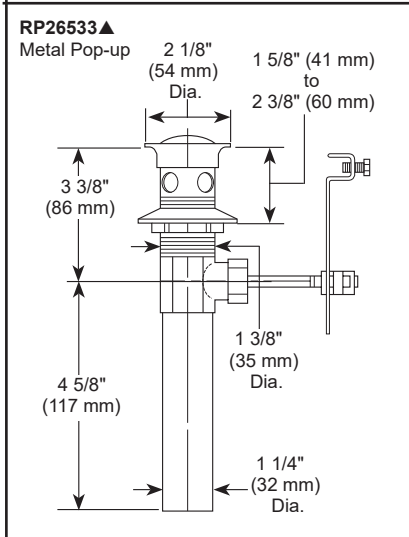
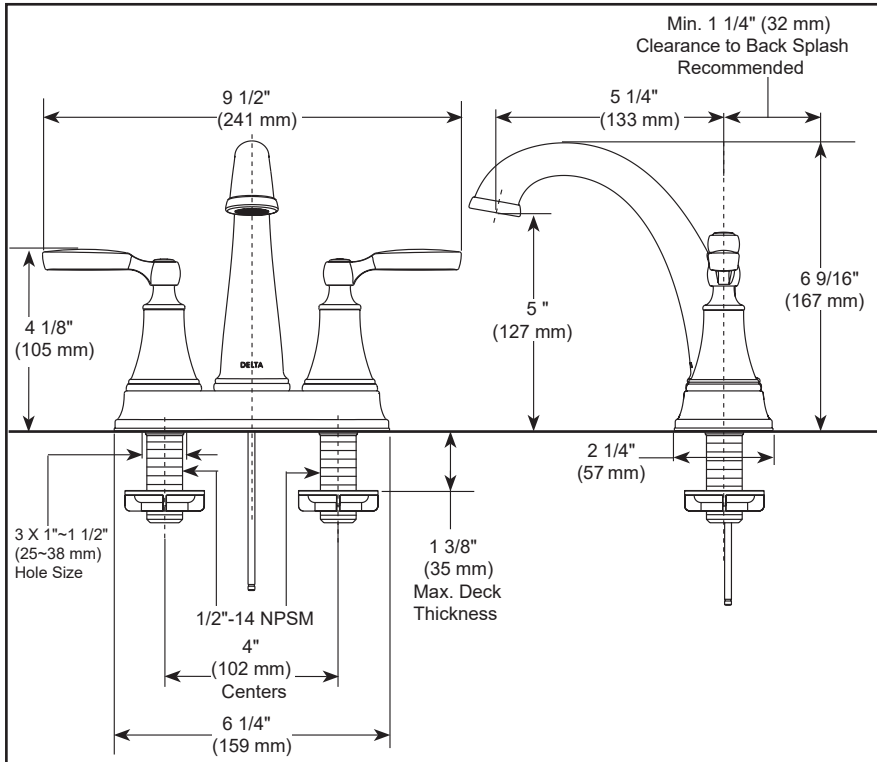
see what Delta can do™

LAVATORY FAUCET

- Woodhurst™ Collection
- Two Handle Deck Mount



Submitted Model No.: _____
 Specific Features: _____



STANDARD SPECIFICATIONS:

- Maximum 1.2 gpm @ 60 psi, 4.5 L/min @ 414 kPa.
- Order aerator RP100071-1.0 for maximum 1.0 gpm @ 60 psi, 3.8 L/min @ 414 kPa.
- Order aerator RP100072-0.5 for maximum 0.5 gpm @ 60 psi, 1.9 L/min @ 414 kPa.
- Three hole mount.
- Hot and cold handle stems are interchangeable.
- 1/4 turn handle stops.
- 1/2"-14 NPSM threaded male inlet shanks.
- Control mechanism is a rotating cylinder type with stainless steel plate and 90° rotation, with replaceable non-metallic seats.
- Models with suffix "TP" have 50/50 pop-up type fitting with plated flange and stopper.
- Models with suffix "MPU" have metal drain with pop-up type fitting with plated flange and stopper.
- Standard mounting deck thickness can be extended by 1 1/4" (32 mm) with RP76691.

WARRANTY

- Lifetime limited warranty on parts (other than electronic parts and batteries) and finishes; or, for commercial users, for 5 years from the date of purchase.
- 5 year limited warranty on electronic parts (other than batteries); or for commercial users, for 1 year from the date of purchase. No warranty is provided on batteries.



COMPLIES WITH:

- ASME A112.18.1 / CSA B125.1
- ASME A112.18.2 / CSA B125.2
- Indicates compliance to ICC / ANSI A117.1
- EPA WaterSense®
- Verified compliant with 0.25% weighted average Pb content regulations.

▲ Designate proper finish suffix

Delta reserves the right (1) to make changes in specifications and materials, and (2) to change or discontinue models, both without notice or obligation. Dimensions are for reference only. See current full-line price book or www.deltafaucet.com for finish options and product availability.

Delta Faucet Company

55 E. 111th Street, Indianapolis, Indiana 46280
 350 South Edgeware Road, St. Thomas, Ontario Canada N5P 4L1
 © 2017 Delta Faucet Company