



GEORGIAN ERA EXPOSED FLOOR MOUNTED BATHTUB FILLER WITH HANDSHOWER AND CROSS HANDLES

ROHL Perrin & Rowe® Bath

U.3013X/1

FEATURES

- Fixed spout
- Spout, valve housing, and handles made from solid brass
- 1/4-turn ceramic disc valves
- Unique handles fixing clip, engineered to increase the life of the valve
- 3/4" connections
- 19GPM at 40 PSI
- 1/2" female NPT connections

Kit Includes:

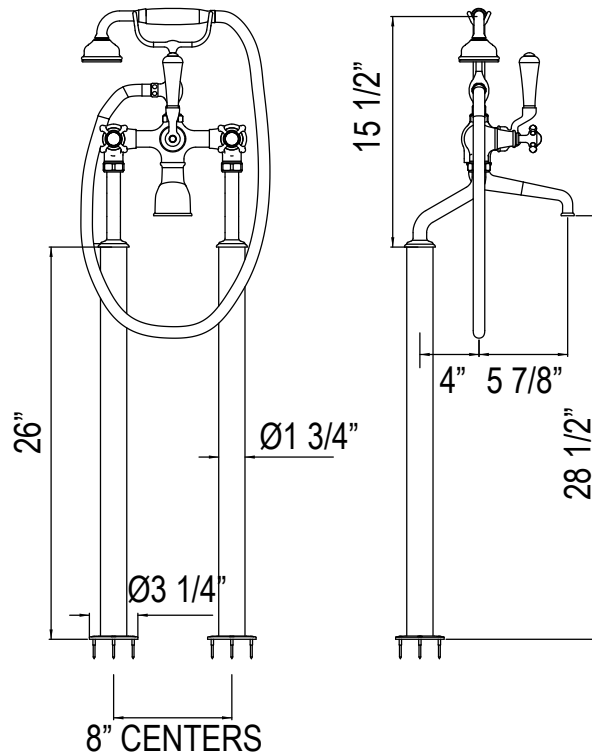
- U.3019X Tub/Shower Filler
- U.5380LS Handshower/Cradle
- U.6388 Pillar Unions/Floor Legs (set)

COLORS/FINISHES

- Polished Chrome
- Polished Nickel
- Satin Nickel
- Inca Brass
- English Bronze

WARRANTY

- Limited Lifetime



Spare Parts

