

2" Copper Manifold End Cap

Submittal Information
Revision B: Oct. 21, 2009

Project Information

Job Name:

Location:

Part No. Ordered:

Engineer:

Date Submitted:

Contractor:

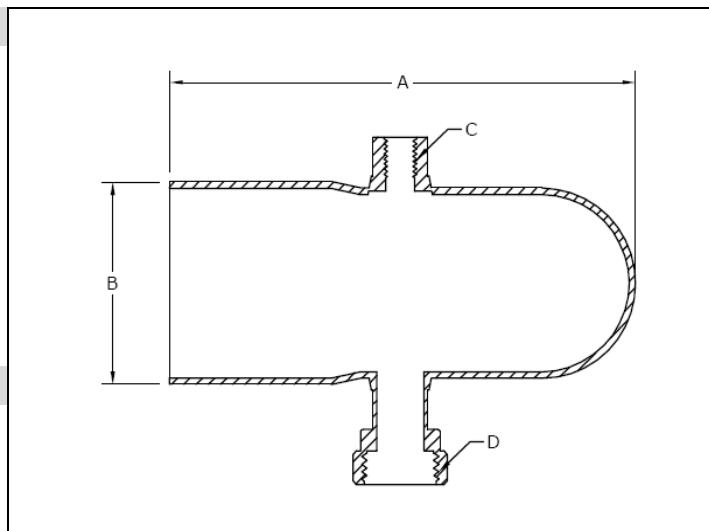
Submitted By:

Manufacturer's Representative:

Approved By:

Technical Data

Material:	Type L Copper
Manifold Body Size:	2.0"
Maximum Working Temperature/Pressure:	210°F at 150 psi (99°C at 10 bar)
Maximum Temperature (no pressure):	320°F (160°C)



Product Information and Application Use

Use this large diameter Copper Manifold Spun End Cap to cap the end of the Uponor 2" Copper Manifold for radiant heating projects. It is designed to fit 2" copper piping. Tapings for 1/8" air vent and 1/2" drain are included.

✓ Description	Part Number	A	B	C	D	Weight
2" Copper End Cap Spun End with drain and vent connections	A2402000	5.50"	3.90"	1/8" FIP	1/2" PTF-SAE Short	1.0 lbs.

Installation

End cap sweats onto the Uponor 2" Copper Manifold. For more information, refer to the Radiant Floor Installation Handbook.

Standards

CSA B137.5; ASTM F877

Codes

N/A

Listings

NSF-rfh; ANSI/NSF 61-certified

Related Applications

PEX-a Plumbing Systems
Radiant Heating and Cooling Systems
Snow and Ice Melting Systems
Permafrost Protection Systems
Turf Conditioning Systems

Contact Information

Uponor, Inc.
5925 148th Street West
Apple Valley, MN 55124 USA
Phone: (800) 321-4739
Fax: (952) 891-2008
www.uponor-usa.com

Uponor Ltd.
2000 Argentia Rd., Plaza 1, Ste. 200
Mississauga, ON L5N 1W1 CANADA
Phone: (888) 994-7726
Fax: (800) 638-9517
www.uponor.ca