



Brenham™
Wall-Mount Bathroom Sink
K-1997-4N

Features

- With hanger.
- Without overflow.
- Drilled for concealed arm carrier
- 4 " (102 mm) centers.
- 21-15/16 " (557 mm) x 19-3/4 " (502 mm)

Material

- Vitreous china.

Installation

- Wall-mount installation.

Optional Accessories

- K-8998 P-Trap
- K-1998 Shroud

Components

Additional included component/s: Hanger (2 required).



ADA **CSA B651** **OBC**

Codes/Standards

ASME A112.19.2/CSA B45.1
ADA
ICC/ANSI A117.1
CSA B651
OBC


KOHLER® One-Year Limited Warranty

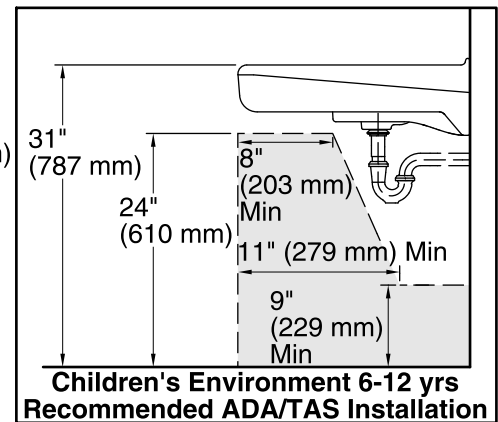
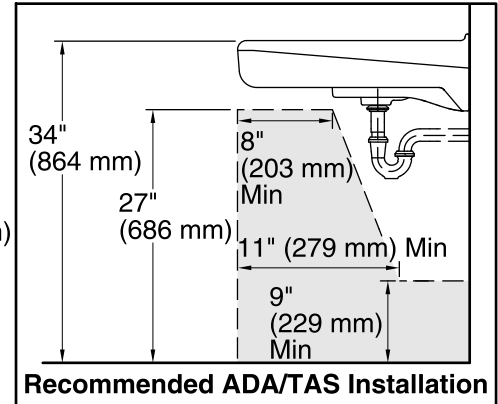
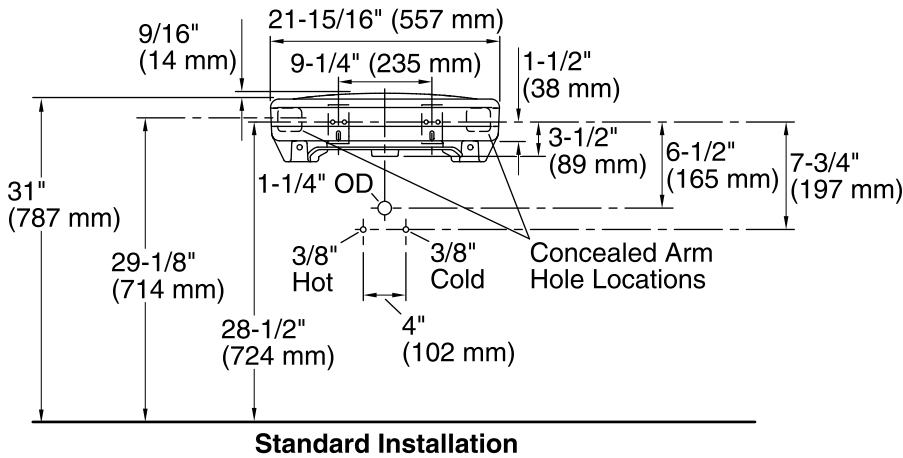
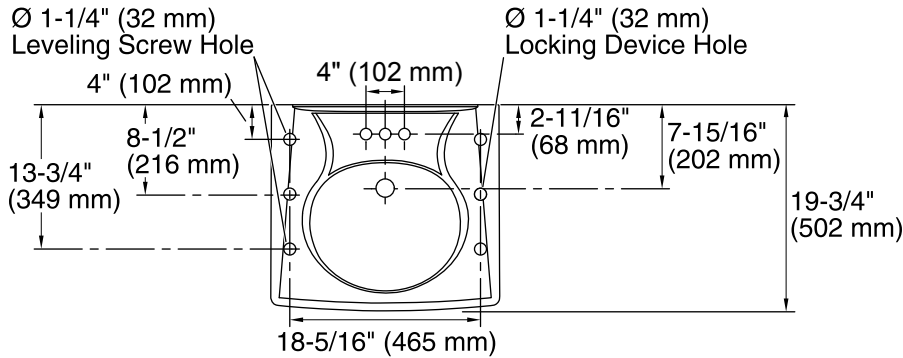
See website for detailed warranty information.

Available Color/Finishes

Color tiles intended for reference only.

Color Code Description

 0 White



Technical Information

All product dimensions are nominal.

- Bowl configuration: Single
 Installation: Wall-mount
 Bowl area (Only): Length: 14-3/8" (365 mm)
 Width: 12-5/16" (313 mm)
 With overflow: Yes
 Water depth: 3-1/4" (83 mm)
 Number of deck holes: 3
 Faucet hole(s): 1-1/4" (32 mm)
 Drain hole: 1-3/4" (44 mm)

Notes

- Install this product according to the installation instructions.
 ADA, OBC, CSA B651 compliant when installed to the specific requirements of these regulations.