

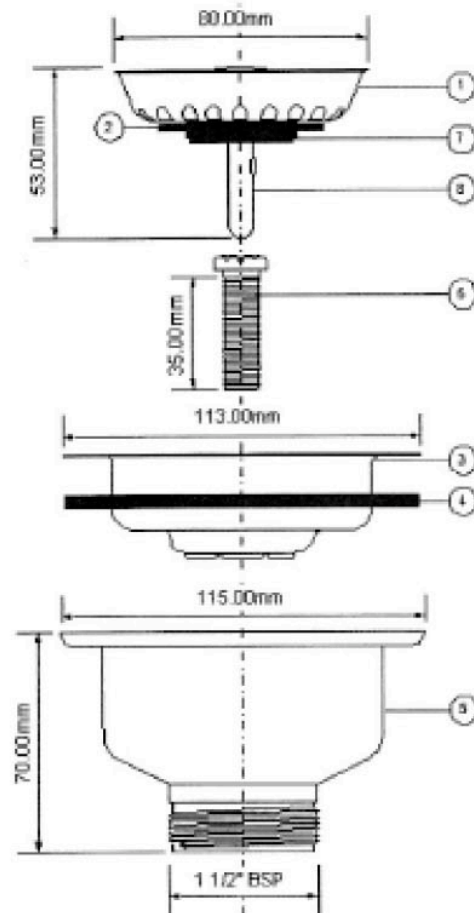
MT300 Deluxe 3-1/2" Kitchen Sink Strainer

INSTALLATION DIMENSIONS

This model offers you the following features & benefits:

- Spring loaded center post for smooth operation.
- Available in over 16 finishes

For thicker Flire Clay type sinks order BDRFRL55 55mm ferrule (see part#6)



Part Number	Material
1	Stainless Steel
2	EPDM
3	Stainless Steel
4	Nitrile
5	Polypropylene
6	C.P.Brass
7	Engineering Plastic
8	CP Brass

Warranty

*ALL MOUNTAIN PRODUCTS CARRY A 1 YEAR WARRANTY ON ALL WORKING PARTS.(except disposers)

*MOST SPECIAL FINISHES HAVE A 1 YEAR WARRANTY IF INSTRUCTIONS ARE FOLLOWED PROPERLY. ORB, EB, MHB, WCP, AND TB HAVE A 90 DAY WARRANTY IF INSTRUCTIONS ARE FOLLOWED PROPERLY.

*ALL PVD FINISHES COME WITH A LIFETIME WARRANTY IF INSTRUCTIONS ARE FOLLOWED PROPERLY

*ALL XENYO COLORED PRODUCTS HAVE A LIFETIME WARRANTY

*USE OF PLUMBERS PUTTY ON PRODUCTS VOIDS WARRANTY

Specifications subject to change without notice.

© Mountain Plumbing Products

www.mountainplumbing.com

• Call Toll-Free 1.888.222.9140

Form MPP MT300 2006