



**CORES**

Modular (3 section) patented aluminum heat recovery cores arranged for efficient counter-flow ventilation

**MOTORS**

Two PSC, 3 speed double shafted, 120 VAC, 9.4 Amps each (18.8 total on high speed). HP - 1/2, 1625 RPM. Watts - total on high speed - 2256. MCA: 23.5 MOP: 30

**FILTERS**

Washable air filters in exhaust and supply air streams.

**BLOWERS**

Slide easily in / out of unit. Centrifugal type rated at 1200 cfm (566 L/s) free air delivery. Each air stream has one double shafted motor driving 2 centrifugal blowers.

**CONNECTION DUCT SIZES**

Five - 20" x 8" H (508 mm x 200 mm H)

**MOUNTING**

Unit to be set on support brackets hung by threaded rod type apparatus. (brackets and rods not provided)

**CASE**

Unit has front and back access doors and electrical panel can be switched to either side giving installer flexibility in duct direction. 20 gauge prepainted galvanized steel (G60) for superior corrosion resistance. Insulated with foil faced insulation duct liner where required to prevent exterior condensation. Drain connections; two - 1/2" (12mm) O.D.

**ELECTRONICS**

Integrated microprocessor circuit board. Built-in interlock contacts.

**DEFROST CONTROLS**

Supply bypass damper routes indoor air to defrost core

**WEIGHT** 285 LBS (130 KG) **SHIPPING WEIGHT** 335 LBS. (152 KG)

**INCLUDED CONTROL**

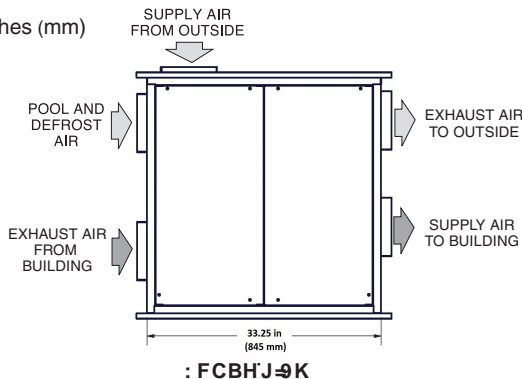
**99-DH01 Lifebreath Dehumidistat**

- Humidity control through adjustable Dehumidistat
- 3 wire connection; 20 gauge wire (minimum)

**WARRANTY**

Units carry a 15 year warranty on the HRV core and a 2 year replacement parts warranty.

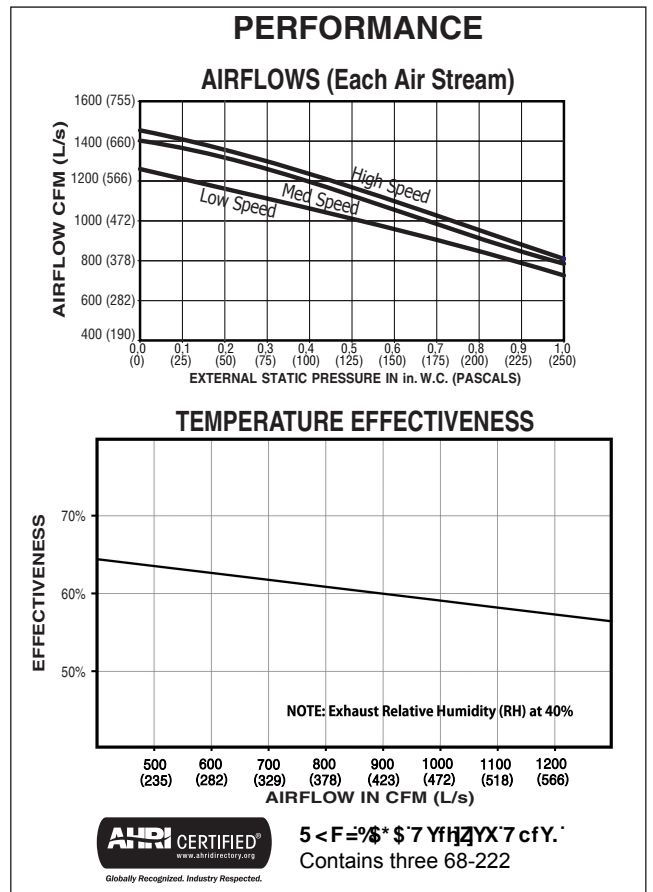
**DIMENSIONS** inches (mm)



**NOTE:**

The 1200POOL model may easily be reversed in the field. Refer to page 29 for installation instructions.

**NOTE:** All specifications are subject to change without notice.



**CONTROL OPTIONS**

**99-500 3 Speed Control**

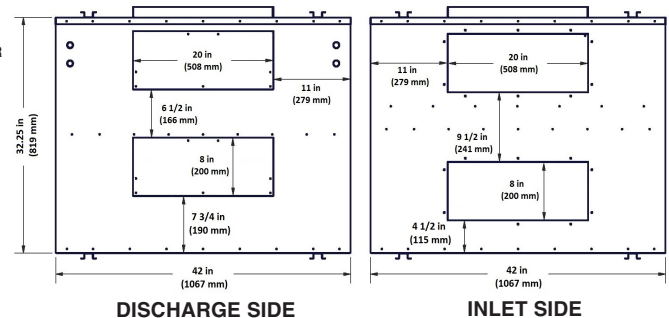
- 3 Speed Fan setting (Low/Medium/High)
- 4 wire connection; 20 gauge wire (minimum)

**FILTER OPTIONS**

**99-65-183** 2" pleated MERV 8 filter for fresh air stream

All units conform to CSA and UL standards

**NOTE:** Service clearance of 30 in. (760 mm) from front access doors



Date: \_\_\_\_\_  
 Tag: \_\_\_\_\_ Qty: \_\_\_\_\_  
 Project: \_\_\_\_\_  
 Engineer: \_\_\_\_\_

Contractor: \_\_\_\_\_  
 Supplier: \_\_\_\_\_  
 Quote#: \_\_\_\_\_  
 Submitted by: \_\_\_\_\_