

Features

- Brass construction
- Touchless™ wall-mounted faucet trim
- 0.5 gal/min (1.9 l/min) flow rate
- Insight adaptive infrared technology

FAUCET TRIM
K-T11837
ALSO K-T11840

ADA

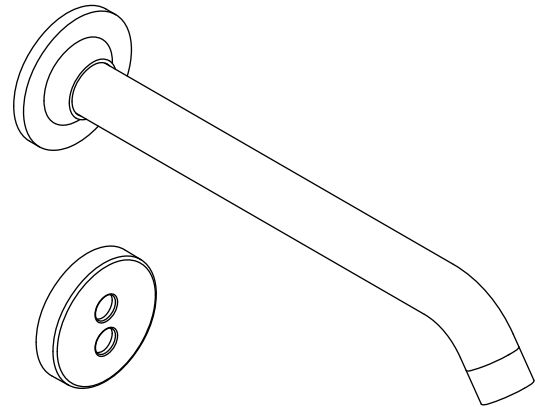
CSA B651

OBC

Codes/Standards Applicable

Specified model meets or exceeds the following:

- ADA
- ICC/ANSI A117.1
- CSA B651
- OBC
- ASME A112.18.1/CSA B125.1
- Energy Policy Act of 1992
- CE



Colors/Finishes

- CP: Polished Chrome
- VS: Stainless Steel

Accessories

- NA: None applicable

Specified Model

Model	Description	Colors/Finishes	
K-T11837	Faucet trim – 8-1/4" (209 mm) 35° spout	<input type="checkbox"/> CP	<input type="checkbox"/> VS
K-T11840	Faucet trim – 6-1/4" (158 mm) 35° spout	<input type="checkbox"/> CP	<input type="checkbox"/> VS

Required Accessories		
K-11830-NA	Wall-mount valve	<input type="checkbox"/> NA

Optional Accessories		
K-13601	Thermostatic mixing valve	<input type="checkbox"/> NA
1160593	Small Spray 0.38 gal/min (1.44 l/min) – Insert only	<input type="checkbox"/> NA
_____	Additional flow options are available (refer to the Price Book)	<input type="checkbox"/> NA

Product Specification

The Touchless™ wall-mounted faucet trim shall be made of brass construction. Faucet trim shall have a 0.5 gal/min (1.9 l/min) flow rate. The valve shall feature insight adaptive infrared technology. Faucet trim shall be Kohler Model K-T11837-_____ and K-T11840-_____.

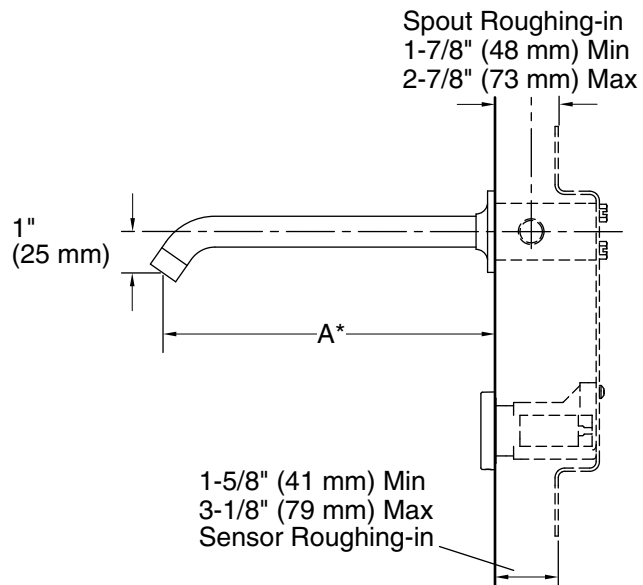
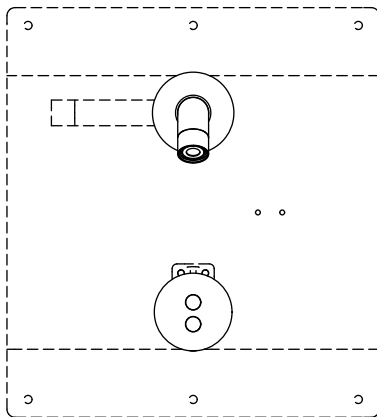
PURIST®

Installation Notes

Install this product according to the installation guide.

ADA, CSA B651, OBC compliant when installed to the specific requirements of these regulations.

The sensor roughing-in allows for installation to a back splash or thicker finished wall than the spout roughing-in.



Model	Description	A*
K-T11837	Faucet Trim 8-1/4" (209 mm) 35° Spout	8-1/2" (215 mm) - 7-1/2" (190 mm)
K-T11840	Faucet Trim 6-1/4" (158 mm) 35° Spout	6-1/2" (165 mm) - 5-1/2" (140 mm)

*Spout length varies dependant on valve roughing-in depth.

Product Diagram